



LEFROY BROOKS

1 8 2 8 T R O U T M A N S T R E E T
R I D G E W O O D N E W Y O R K N Y 1 1 3 8 5 U S A
T : + 1 (7 1 8) 3 0 2 5 2 9 2 F : + 1 (7 1 8) 3 0 2 4 1 7 7

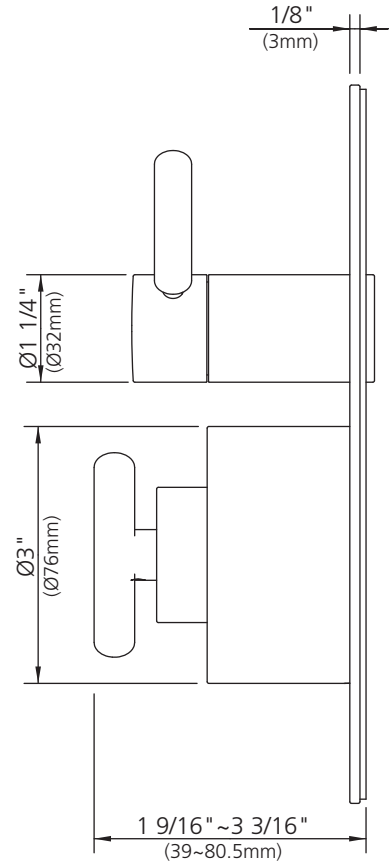
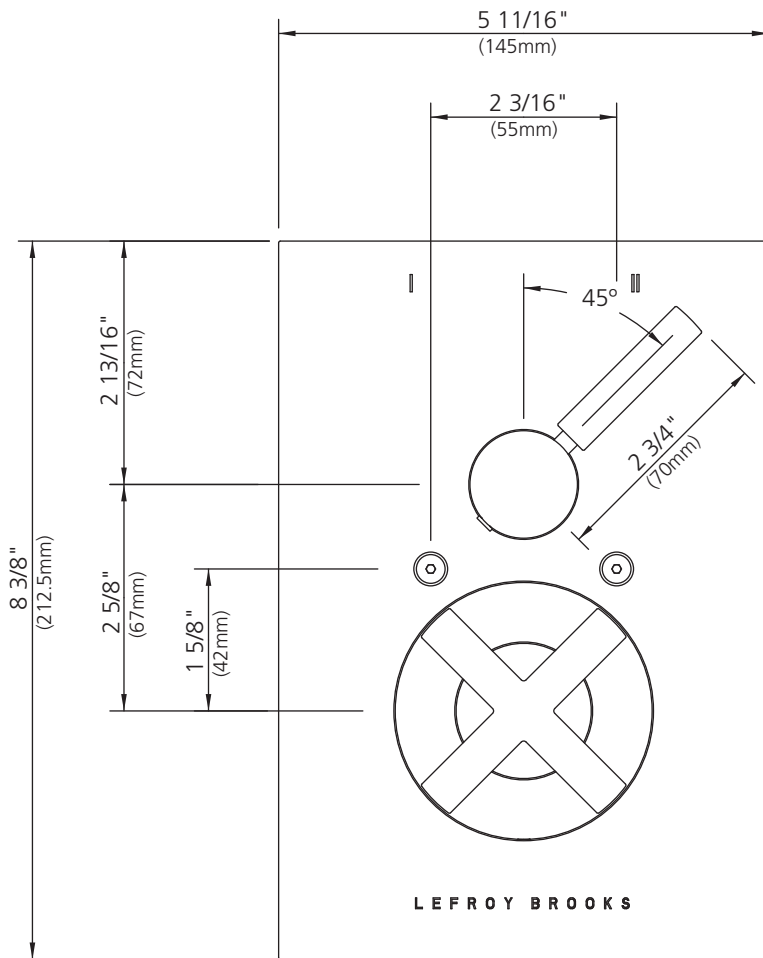
X1-2000

CROSS HANDLE PRESSURE BALANCE WITH ZU LEVER 2-WAY
DIVERTER TRIM ONLY, TO SUIT M1-4101 ROUGH

DIMENSIONAL DATA SHEET

DATE: 16 May 2012

No: A667945



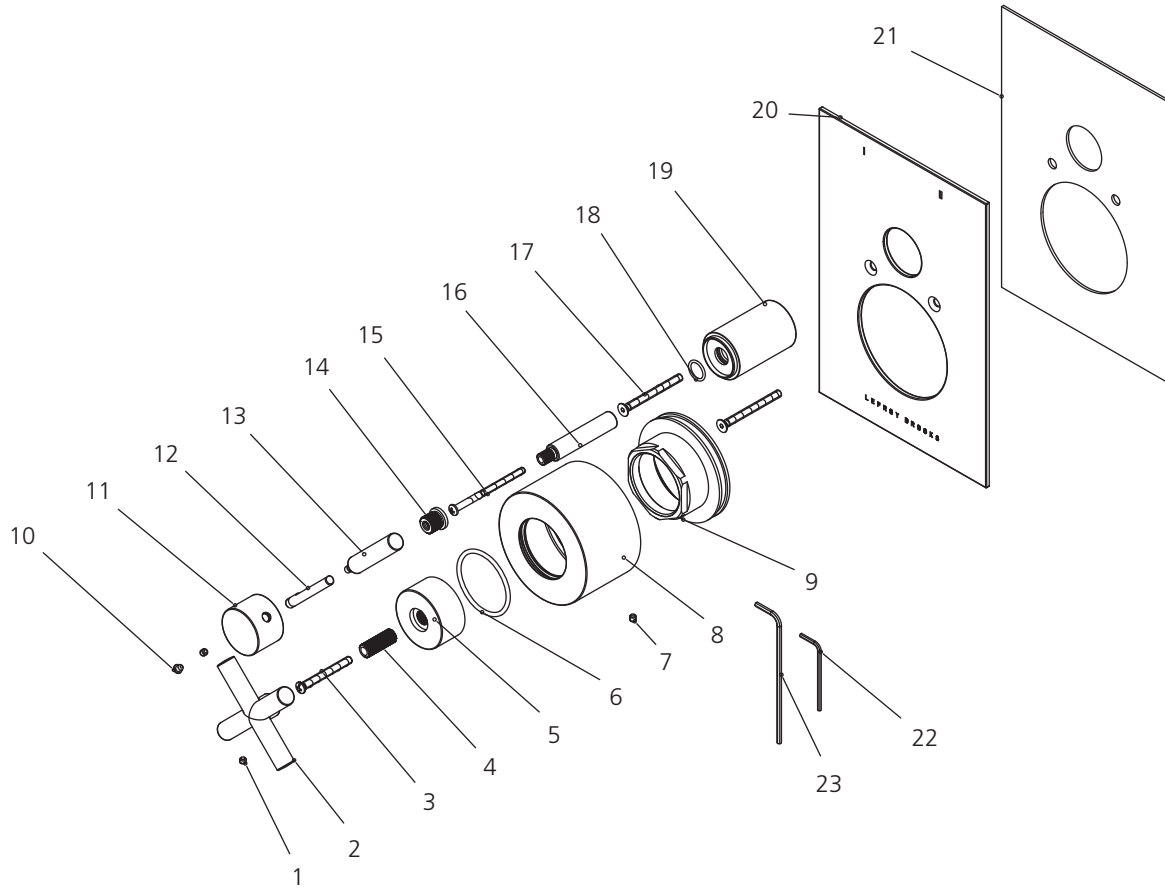
COPYRIGHT © LBIP LTD 2012. ALL RIGHTS RESERVED.

DIMENSIONS IN INCHES & MILLIMETRES

WHILST EVERY EFFORT IS MADE TO ENSURE THE ACCURACY OF THESE DATA SHEETS THEY ARE SUBJECT TO CHANGE WITHOUT NOTICE AS PART OF THE COMPANY'S PRODUCT DEVELOPMENT PROCESS

X1-2000

CROSS HANDLE PRESSURE BALANCE WITH ZU LEVER 2-WAY DIVERTER TRIM ONLY, TO SUIT M1-4101 ROUGH



1	Screw (008772)	9	Adjusting ring (104292)	17	Screw (008186)
2	Handle (069910)	10	Plug (028008)	18	O-ring (048085N)
3	Screw (008115)	11	Handle seat (215479)	19	Sleeve (041817)
4	Stem extension (110389)	12	Handle stem (108926)	20	Front plate (006596-52)
5	Canopy (018211)	13	Handle sleeve (038104)	21	Seal (013218)
6	O-ring (048060)	14	Handle adaptor (205469)	22	Allen key (031003)
7	Set screw (065086)	15	Screw (008256)	23	Allen key (031220)
8	Canopy (071437)	16	Stem extension (110450)		

Standards

IAPMO/cUPC Listed
Meets A112.18.1