



LEFROY BROOKS

1 8 2 8 T R O U T M A N S T R E E T
R I D G E W O O D N E W Y O R K N Y 1 1 3 8 5 U S A
T : + 1 (7 1 8) 3 0 2 5 2 9 2 F : + 1 (7 1 8) 3 0 2 4 1 7 7

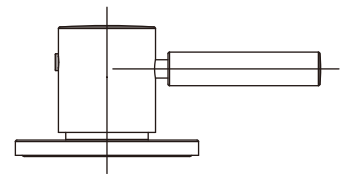
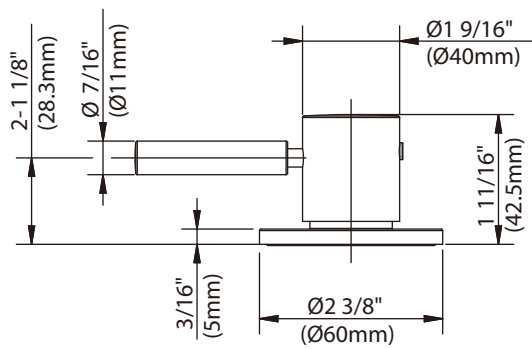
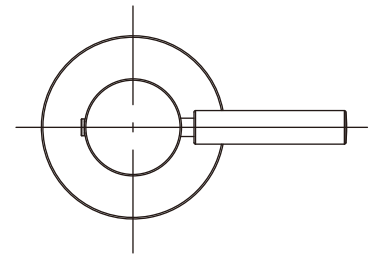
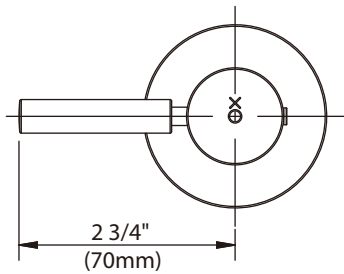
X1-1026

LEVER DECK FLOW CONTROLS (1 PAIR), TRIM ONLY, TO SUIT
R1-4033 ROUGH

DIMENSIONAL DATA SHEET

DATE: 08 DECEMBER 2014

No: A66F439-51



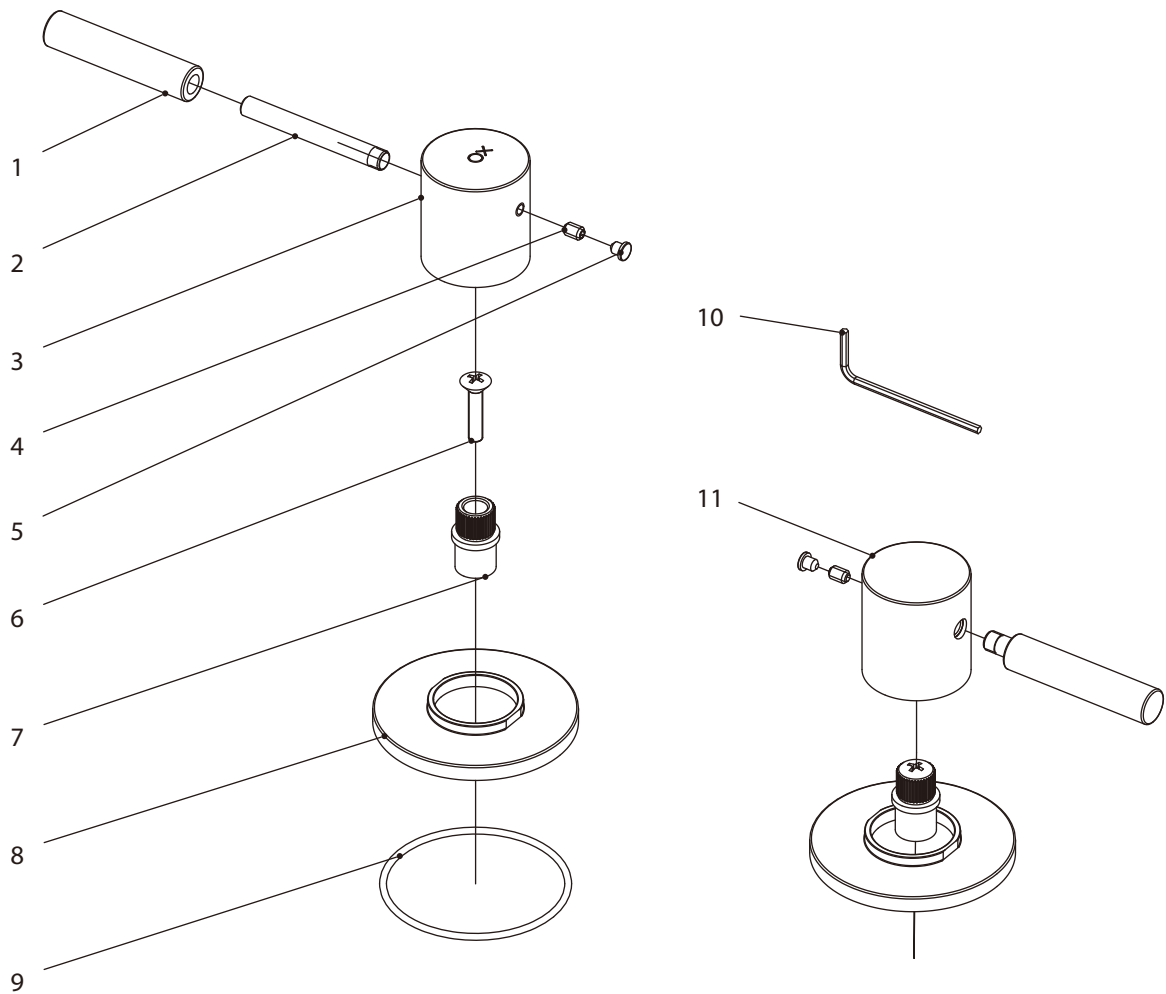
COPYRIGHT © LBIP LTD 2012. ALL RIGHTS RESERVED.

DIMENSIONS IN INCHES & MILLIMETRES

WHILST EVERY EFFORT IS MADE TO ENSURE THE ACCURACY OF THESE DATA SHEETS THEY ARE SUBJECT TO CHANGE WITHOUT NOTICE AS PART OF THE COMPANY'S PRODUCT DEVELOPMENT PROCESS

X1-1026

LEVER DECK FLOW CONTROLS (1 PAIR), TRIM ONLY, TO SUIT R1-4033 ROUGH



1	Lever (038104)	5	Plug (028008)	9	O-ring (004640N)
2	Screw (108926)	6	Screw (053031)	10	Allen key (031003)
3	Handle seat (215502-51)	7	Extension rod (110325)	11	Handle seat (215507)
4	Set screw (292562)	8	Escutcheon (215462)		

Standards

IAPMO/cUPC Listed
Meets A112.18.1

Please note :
Final achievable flow rate is dependent on the outlets fitted, see relevant outlets (spouts, roses, sprays) for fully assembled product flow rate.