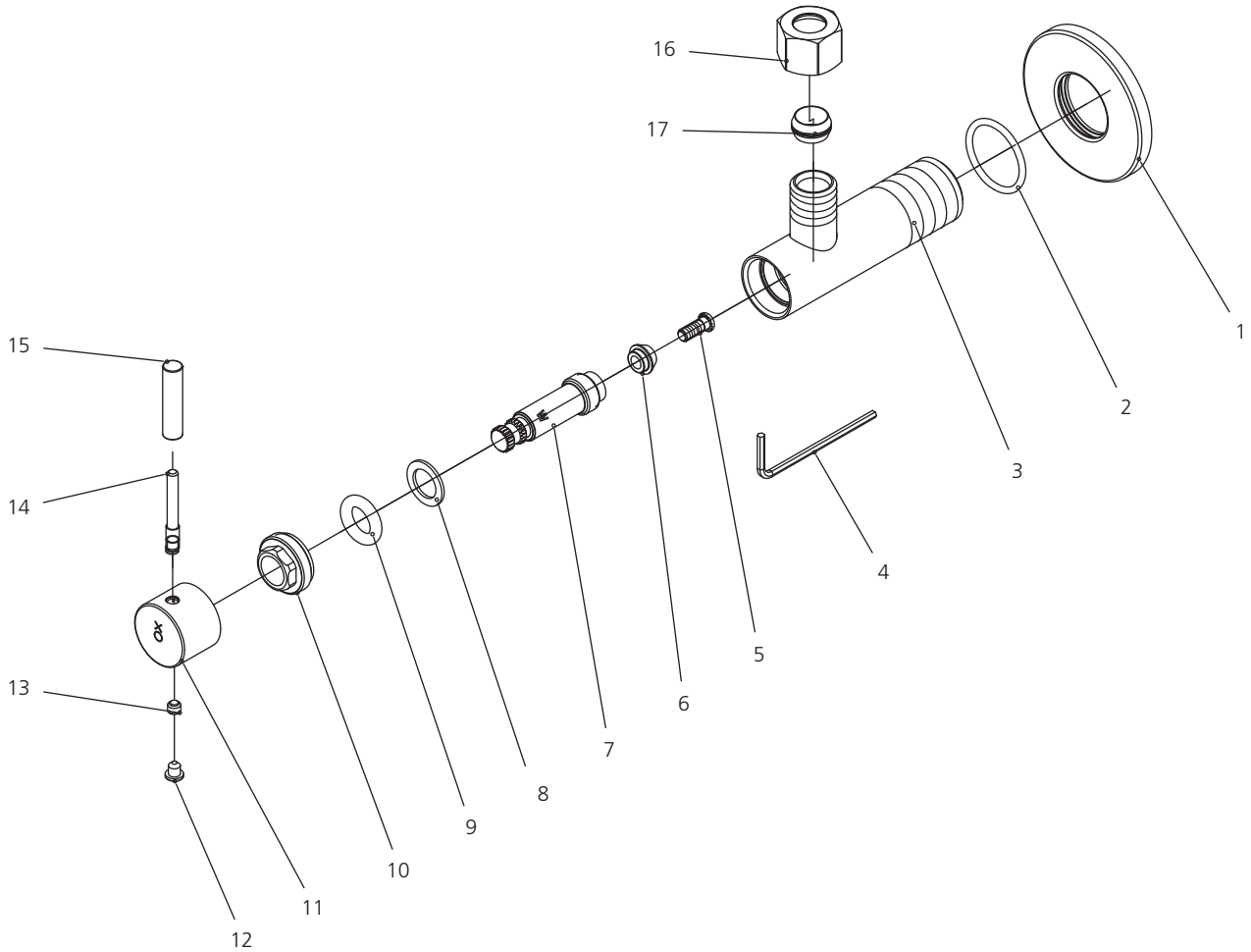




# X1-1003

UNDER BASIN STOPCOCK KIT (X2)

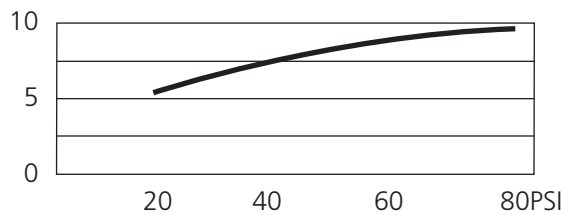


1	Escutcheon (019320)	7	Cartridge (024561W)	13	Screw (008772)
2	O-ring (063072N)	8	Washer (013089W)	14	Handle Stem (108935)
3	Body (061851W)	9	O-ring (004019N)	15	Handle Sleeve (038106)
4	Allen key (031003)	10	Adaptor (077141)	16	Nut (009294)
5	Screw (008774)	11	Handle base (215500)	17	Sealing washer (101157W)
6	Sealing washer (101160N)	12	Plug (28008)		

## Standards

Meets NSF 61-9  
Meets A112.18.1  
ADA Compliant

## Flow Rate



Please note :

Final achievable flow rate is dependent on the outlets fitted, see relevant outlets (spouts, roses, sprays) for fully assembled product flow rate.