



LEFROY BROOKS

1 8 2 8 T R O U T M A N S T R E E T
R I D G E W O O D N E W Y O R K N Y 1 1 3 8 5 U S A
T: +1(718) 302 5292 F: +1(718) 302 4177

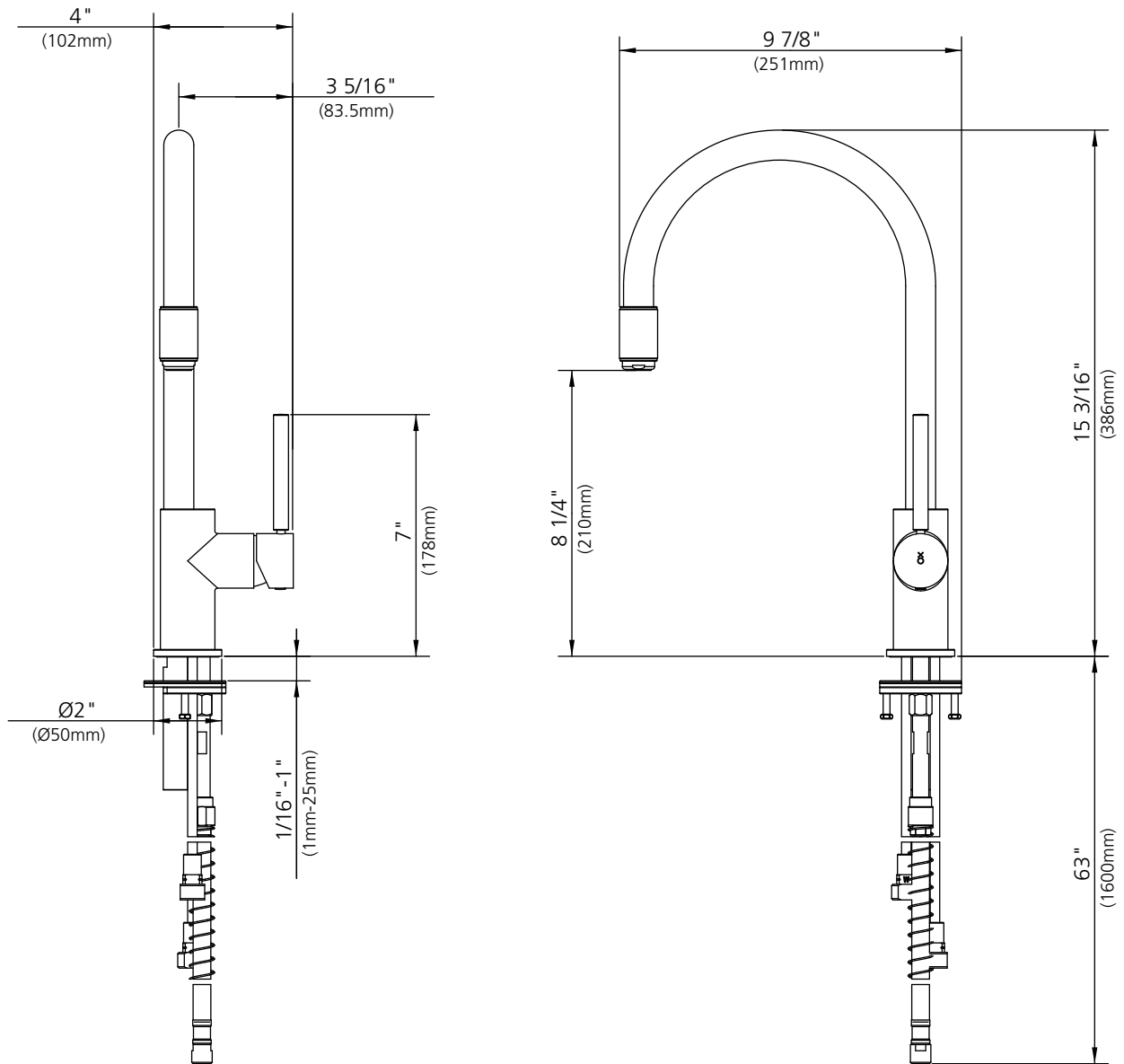
X1-2040

ZU SINGLE LEVER KITCHEN MIXER WITH PULL-OUT HOSE

DIMENSIONAL DATA SHEET

DATE: 22 December 2009

No: FP415000



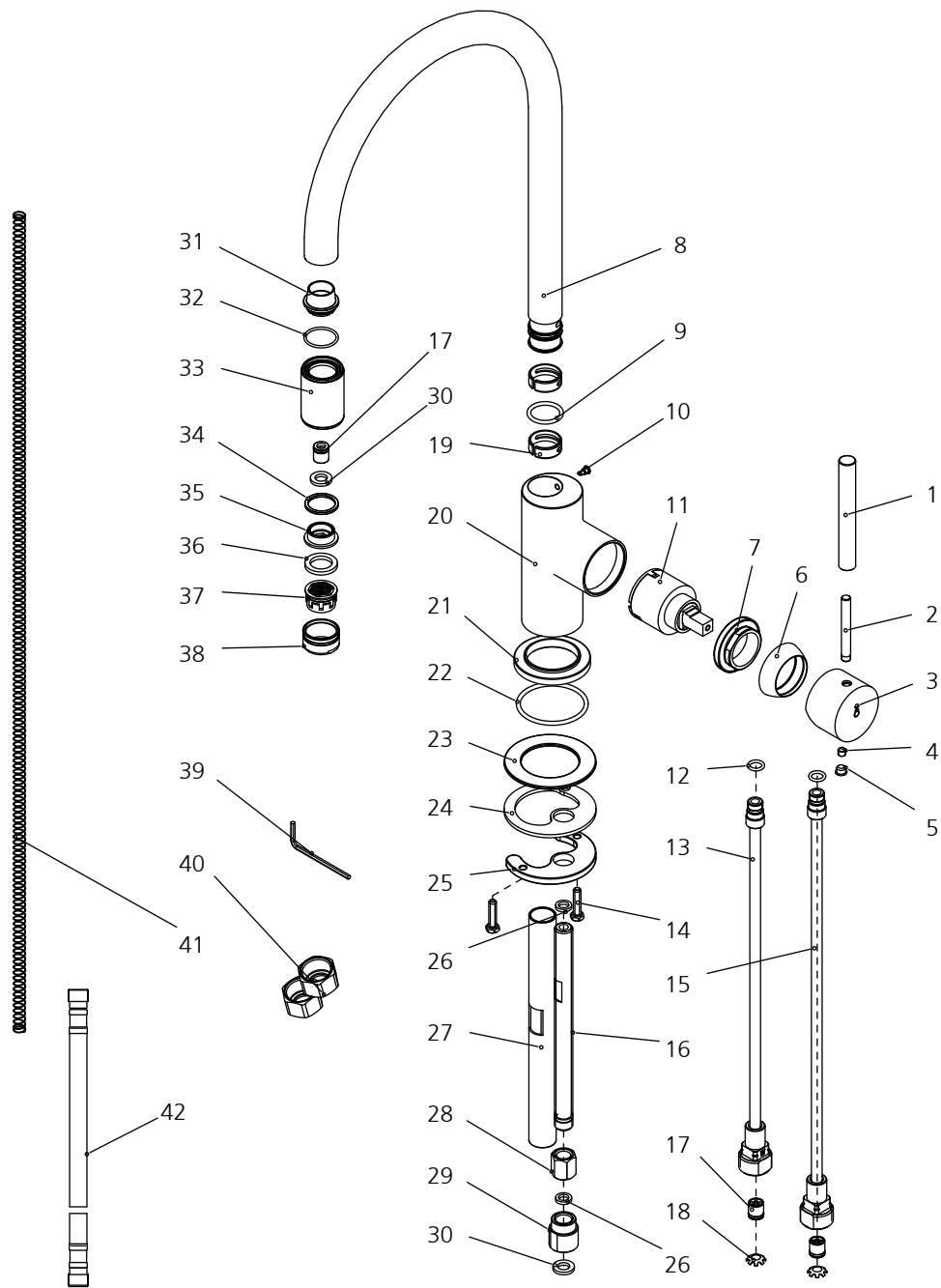
©COPYRIGHT 2009. CHRISTO LEFROY BROOKS. ALL RIGHTS RESERVED.

DIMENSIONS IN INCHES & MILLIMETRES

WHILST EVERY EFFORT IS MADE TO ENSURE THE ACCURACY OF THESE DATA SHEETS THEY ARE SUBJECT TO CHANGE WITHOUT NOTICE AS PART OF THE COMPANY'S PRODUCT DEVELOPMENT PROCESS

X1-2040

ZU SINGLE LEVER KITCHEN MIXER WITH PULL-OUT HOSE



- | | | | | | |
|----|--------------------------------|----|--------------------------------|----|---------------------------|
| 1 | Handle sleeve (038105) | 15 | Copper pipe assembly (064240W) | 29 | Adaptor (067683W) |
| 2 | Handle Stem (108926) | 16 | Brass pipe (074067) | 30 | Oil-seal (010035N) |
| 3 | Handle base (215494) | 17 | Check valve (519204N) | 31 | Plastic adaptor (200196) |
| 4 | Screw (292505) | 18 | Washer (013005) | 32 | O-ring (063012) |
| 5 | Plug (028079) | 19 | Clip (012280) | 33 | Spray housing (033721) |
| 6 | Cap (103319) | 20 | Body (076699W) | 34 | Washer (013387) |
| 7 | Adjusting ring (104233) | 21 | Base (071266) | 35 | Adaptor (067914W) |
| 8 | Spout (139636) | 22 | O-ring (048060) | 36 | Oil-seal (010707N) |
| 9 | O-ring (004010N) | 23 | Oil-seal (058061) | 37 | Aerator insert (553105N) |
| 10 | Screw (085526) | 24 | Washer (060134) | 38 | Aerator housing (305680N) |
| 11 | cartridge (507348N) | 25 | Washer (060033) | 39 | Allen wrench (031000) |
| 12 | O-ring (004001N) | 26 | Oil-seal (058065N) | 40 | Kit (504003) |
| 13 | Copper pipe assembly (064239W) | 27 | Plastic tube (227128) | 41 | Spring (005628) |
| 14 | Screw (008045) | 28 | Nut (054062) | 42 | Spray hose (511423N) |