



LEFROY BROOKS

1 8 2 8 T R O U T M A N S T R E E T
R I D G E W O O D N E W Y O R K N Y 1 1 3 8 5 U S A
T: +1(718) 302 5292 F: +1(718) 302 4177

M1-1005

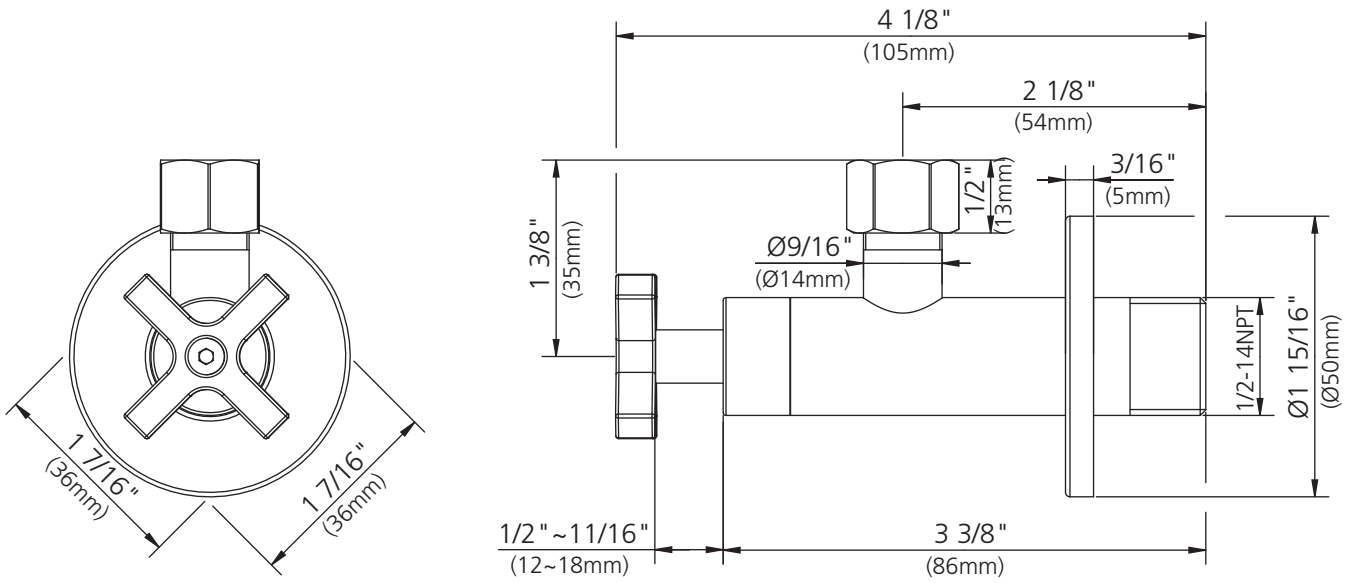
UNDER BASIN STOPCOCK KIT (1 PAIR)

DIMENSIONAL DATA SHEET

DATE: 09 March 2011

No: A668045W

©COPYRIGHT 2009, CHRISTO LEFROY BROOKS, ALL RIGHTS RESERVED.

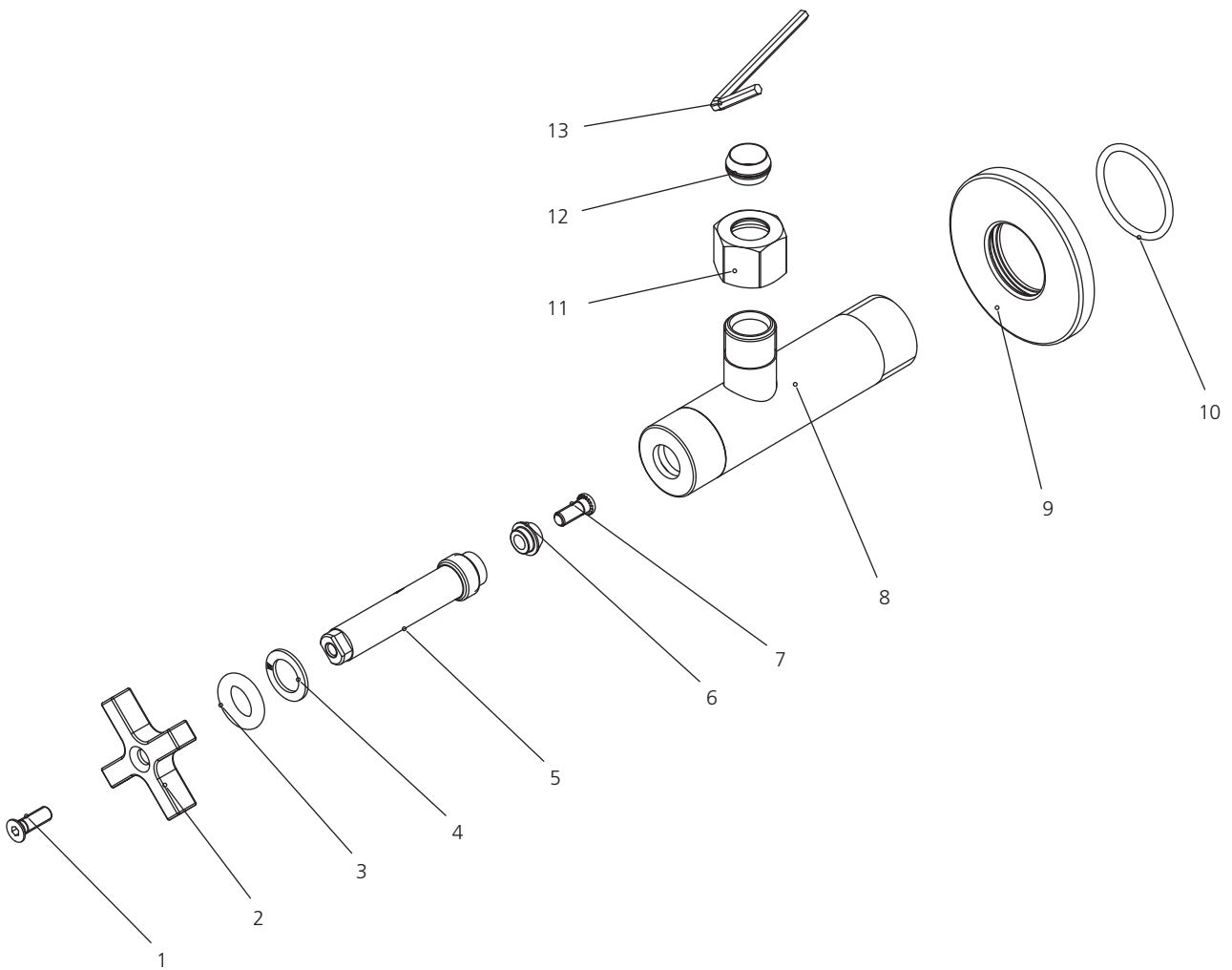


DIMENSIONS IN INCHES & MILLIMETRES

WHILST EVERY EFFORT IS MADE TO ENSURE THE ACCURACY OF THESE DATA SHEETS THEY ARE SUBJECT TO CHANGE WITHOUT NOTICE AS PART OF THE COMPANY'S PRODUCT DEVELOPMENT PROCESS

M1-1005

UNDER BASIN STOPCOCK KIT (1 PAIR)

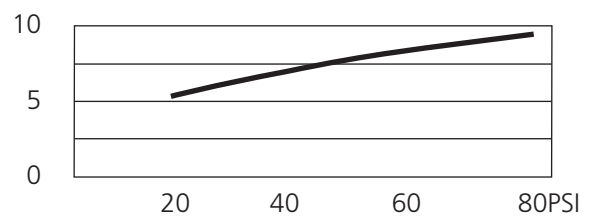


- | | | | |
|---|--------------------------|----|--------------------------|
| 1 | Screw (008232) | 8 | Body (061989W) |
| 2 | Handle (108910) | 9 | Escutcheon (019320) |
| 3 | O-ring (004019N) | 10 | O-ring (063072N) |
| 4 | Washer (013089W) | 11 | Nut (009294) |
| 5 | Cartridge (024550W) | 12 | Sealing washer (101157W) |
| 6 | Sealing washer (101160N) | 13 | Allen key (031000) |
| 7 | Screw (008774) | | |

Standards

Meets NSF 61-9
Meets A112.18.1

Flow Rate



Please note :
Final achievable flow rate is dependent on the outlets fitted, see relevant outlets (spouts, roses, sprays) for fully assembled product flow rate.