



LEFROY BROOKS

1 8 2 8 T R O U T M A N S T R E E T
R I D G E W O O D N E W Y O R K N Y 1 1 3 8 5 U S A
T: +1(718) 302 5292 F: +1(718) 302 4177

K1-1012

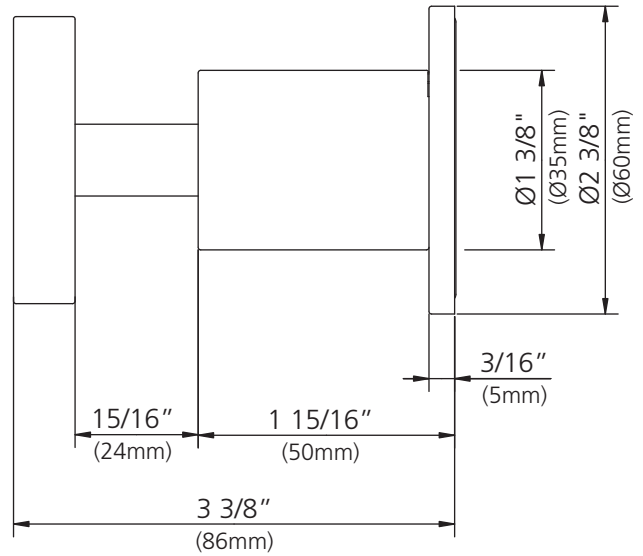
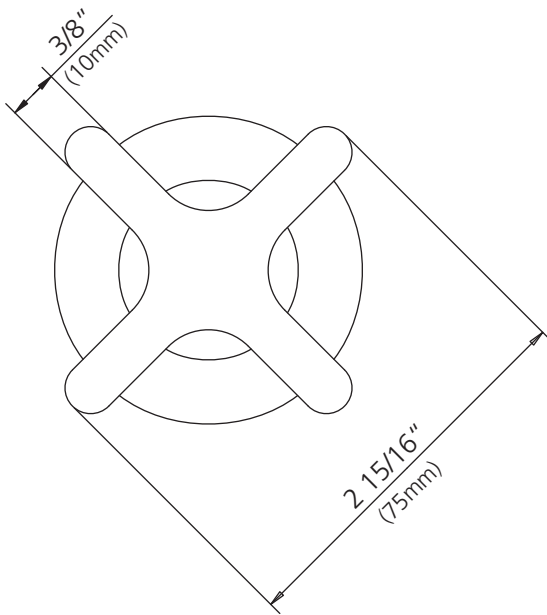
THREE-WAY CROSS HANDLE WALL DIVERTER TRIM ONLY, TO SUIT
R1-4001 ROUGH

DIMENSIONAL DATA SHEET

DATE: 30 June 2011

No: A66F097-51

©COPYRIGHT 2009, CHRISTO LEFROY BROOKS. ALL RIGHTS RESERVED.

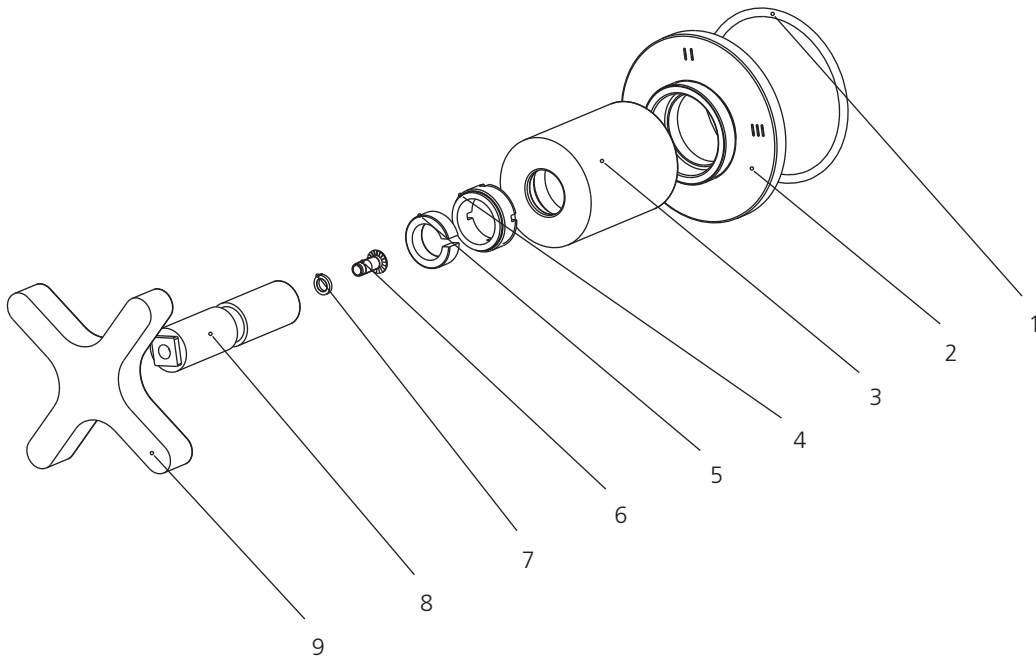


DIMENSIONS IN INCHES & MILLIMETRES

WHILST EVERY EFFORT IS MADE TO ENSURE THE ACCURACY OF THESE DATA SHEETS THEY ARE SUBJECT TO CHANGE WITHOUT NOTICE AS PART OF THE COMPANY'S PRODUCT DEVELOPMENT PROCESS

K1-1012

THREE-WAY CROSS HANDLE WALL DIVERTER TRIM ONLY, TO SUIT
R1-4001 ROUGH



- | | | | |
|---|------------------------|---|------------------|
| 1 | O-ring (048062) | 6 | Screw (008154) |
| 2 | Escutcheon (071344-51) | 7 | Washer (013570) |
| 3 | Canopy (018438) | 8 | Adaptor (067239) |
| 4 | Adaptor(057507) | 9 | Handle (069688) |
| 5 | Clip (012242) | | |

Standards

IAPMO/cUPC Listed
Meets A112.18.1

Please note :
Final achievable flow rate is dependent on the outlets fitted, see relevant outlets (spouts, roses, sprays) for fully assembled product flow rate.