



# LEFROY BROOKS

1 8 2 8 T R O U T M A N S T R E E T  
R I D G E W O O D N E W Y O R K N Y 1 1 3 8 5 U S A  
T : + 1 ( 7 1 8 ) 3 0 2 5 2 9 2 F : + 1 ( 7 1 8 ) 3 0 2 4 1 7 7

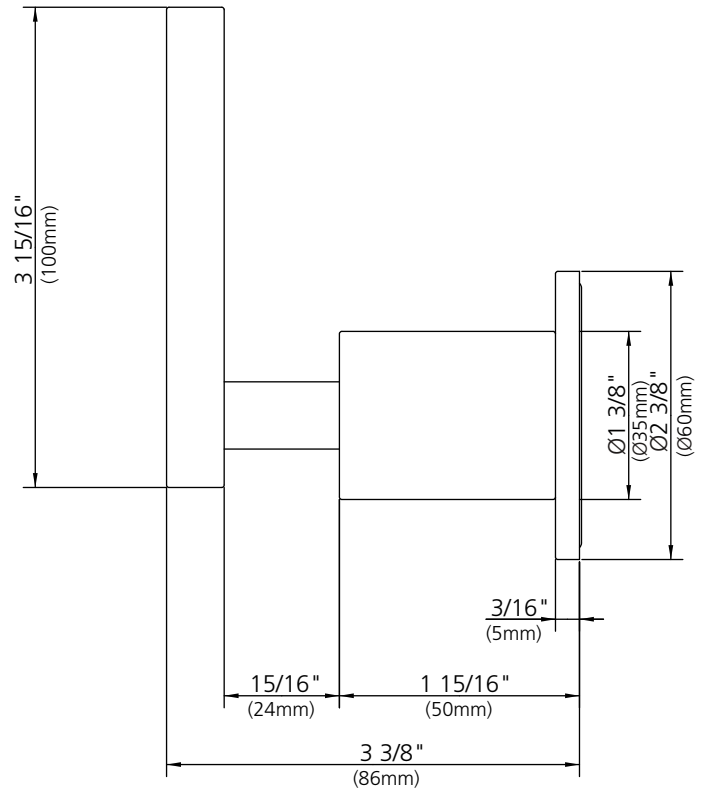
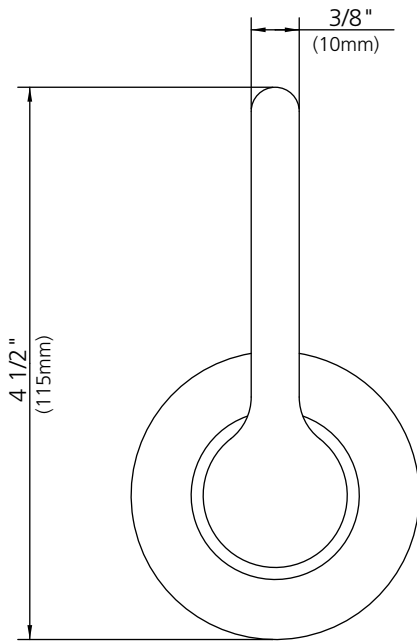
## K1-1015

LEVER WALL FLOW CONTROL CONTROL TRIM ONLY,  
TO SUIT R1-4002 ROUGH

### DIMENSIONAL DATA SHEET

DATE: 06 January 2010

No: A667297



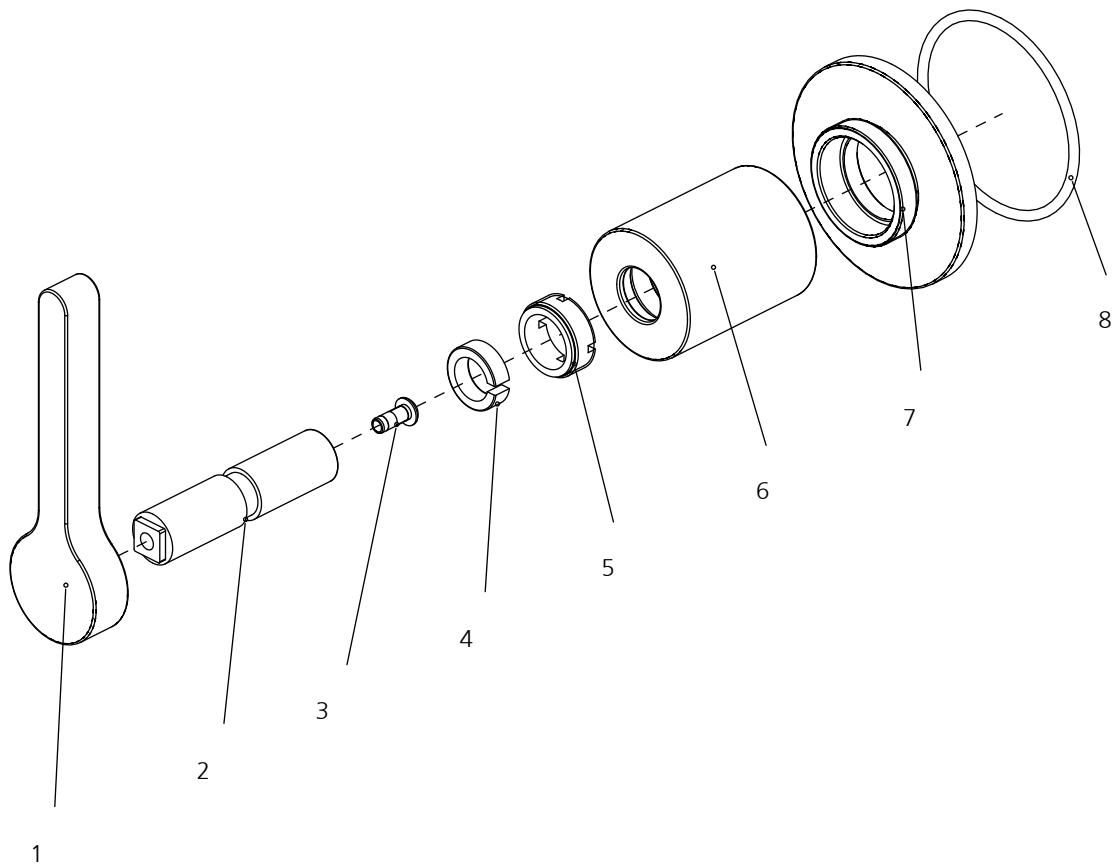
©COPYRIGHT 2009. CHRISTO LEFROY BROOKS. ALL RIGHTS RESERVED.

DIMENSIONS IN INCHES & MILLIMETRES

WHILST EVERY EFFORT IS MADE TO ENSURE THE ACCURACY OF THESE DATA SHEETS THEY ARE SUBJECT TO CHANGE WITHOUT NOTICE AS PART OF THE COMPANY'S PRODUCT DEVELOPMENT PROCESS

# K1-1015

LEVER WALL FLOW CONTROL CONTROL TRIM ONLY, TO SUIT R1-4002 ROUGH



- 1 Handle (069699)
- 2 Adaptor (067239)
- 3 Screw (008154)
- 4 Clip (012242)
- 5 Adaptor (057507)
- 6 Canopy (018438)
- 7 Bezel (071344)
- 8 O-ring (048062)