



LEFROY BROOKS

1 8 2 8 T R O U T M A N S T R E E T
R I D G E W O O D N E W Y O R K N Y 1 1 3 8 5 U S A
T: +1(718) 302 5292 F: +1(718) 302 4177

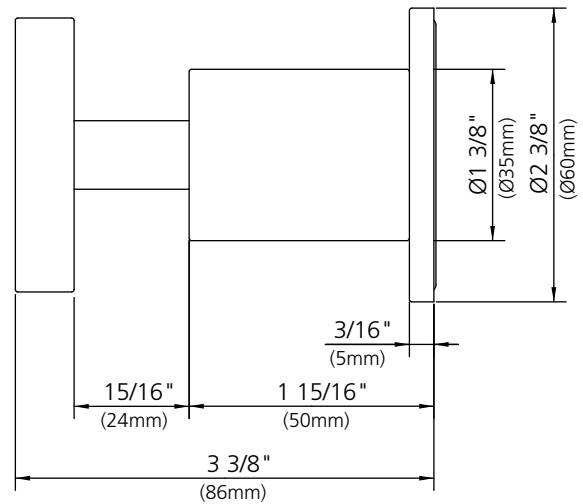
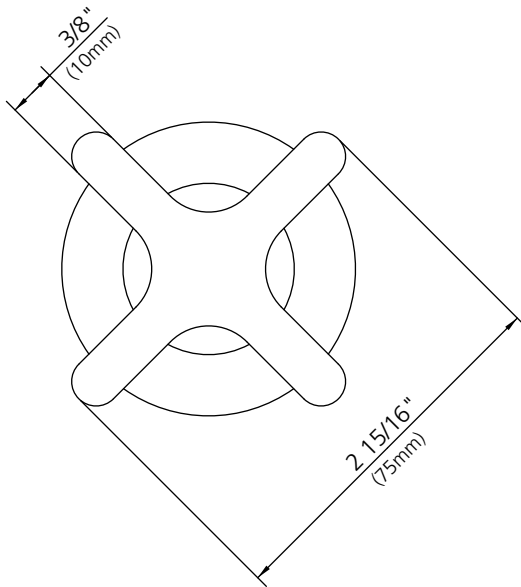
K1-1014

CROSS HANDLE WALL FLOW CONTROL TRIM ONLY,
TO SUIT R1-4019 ROUGH

DIMENSIONAL DATA SHEET

DATE: 08 January 2010

No: A667811



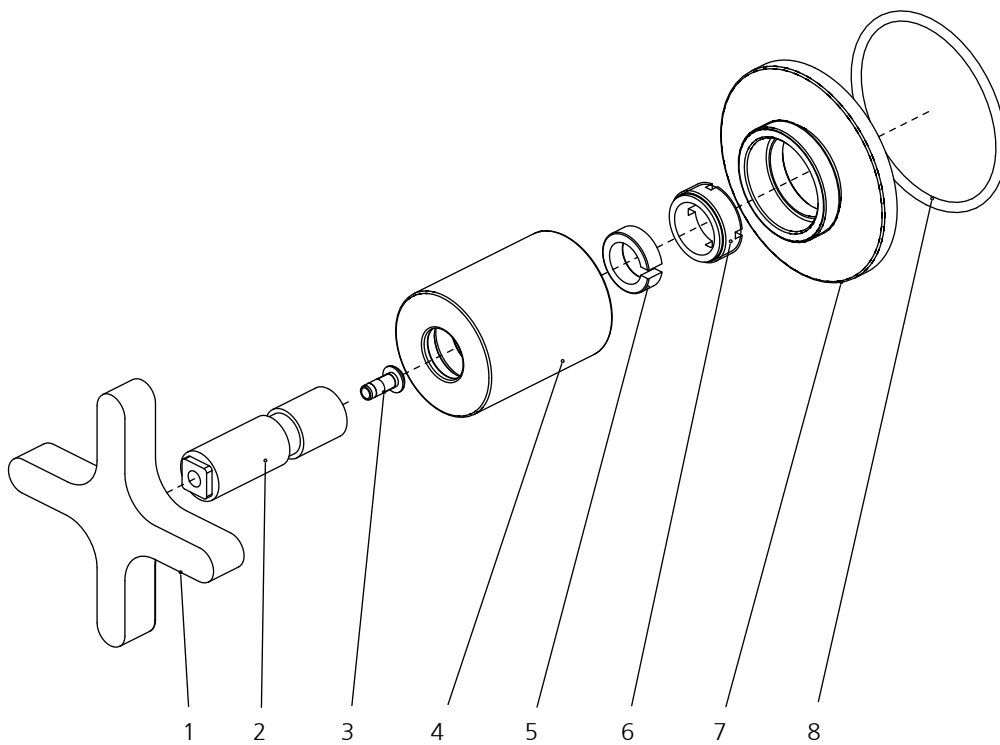
©COPYRIGHT 2009. CHRISTO LEFROY BROOKS. ALL RIGHTS RESERVED.

DIMENSIONS IN INCHES & MILLIMETRES

WHILST EVERY EFFORT IS MADE TO ENSURE THE ACCURACY OF THESE DATA SHEETS THEY ARE SUBJECT TO CHANGE WITHOUT NOTICE AS PART OF THE COMPANY'S PRODUCT DEVELOPMENT PROCESS

K1-1014

CROSS HANDLE WALL FLOW CONTROL TRIM ONLY, TO SUIT R1-4019 ROUGH



- 1 Handle (069688-50)
- 2 Adaptor (067239)
- 3 Screw (008154)
- 4 Canopy (018438)
- 5 Clip (012242)
- 6 Adaptor (057507)
- 7 Bezel (071344)
- 8 O-ring (048062)