



LEFROY BROOKS

1 8 2 8 T R O U T M A N S T R E E T
R I D G E W O O D N E W Y O R K N Y 1 1 3 8 5 U S A
T : + 1 (7 1 8) 3 0 2 5 2 9 2 F : + 1 (7 1 8) 3 0 2 4 1 7 7

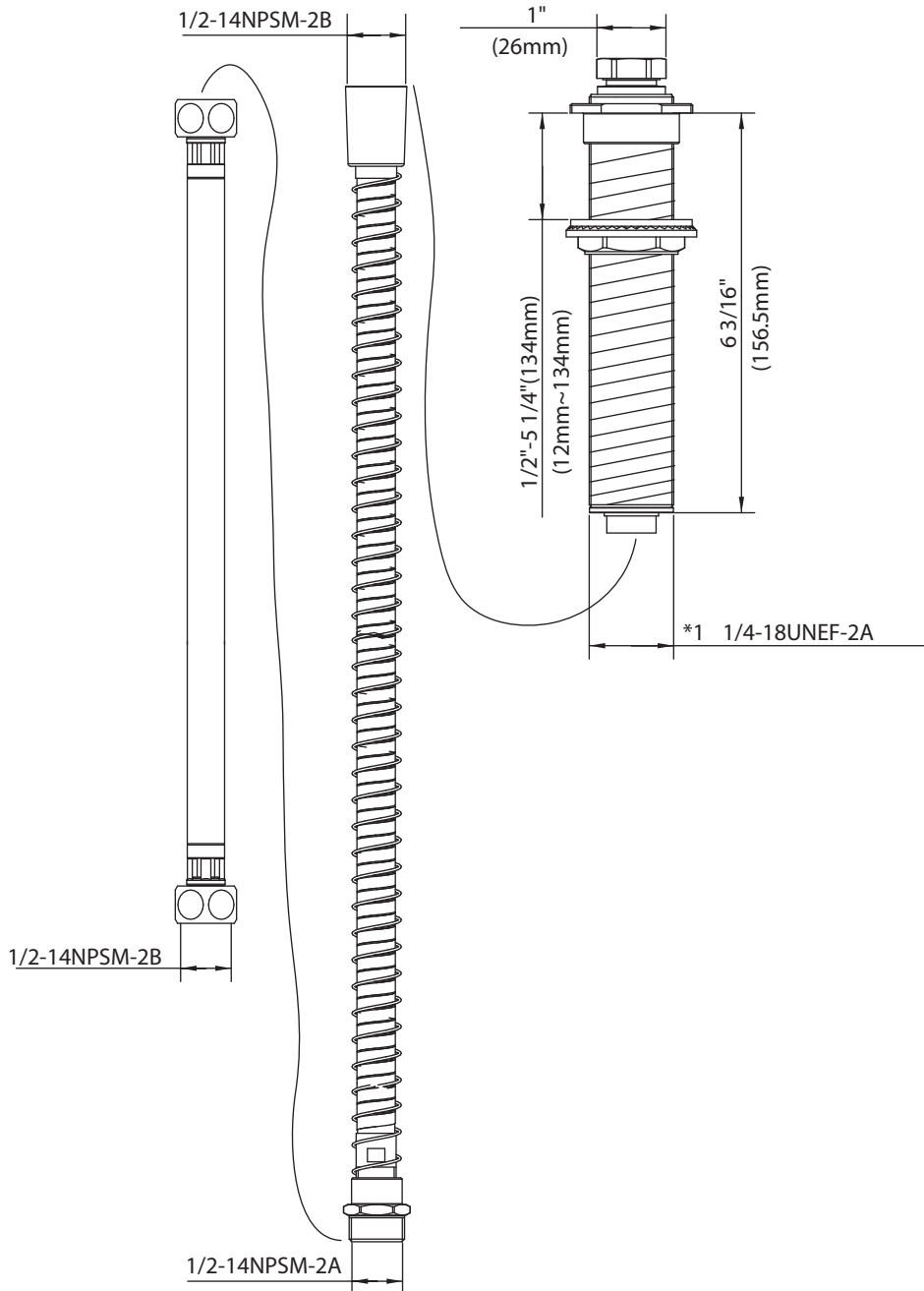
R1-4026

PULL-OUT HAND SHOWER ROUGH WITH HOSE (1.85M) , TO SUIT
CW-1022, CB-1022, C1-1022, M1-1027, M1-1028, M1-1033,
Y1-1022, Y1-1027, Y1-1028 & Y1-1033

DIMENSIONAL DATA SHEET

DATE: 19 January 2016

No: A664251



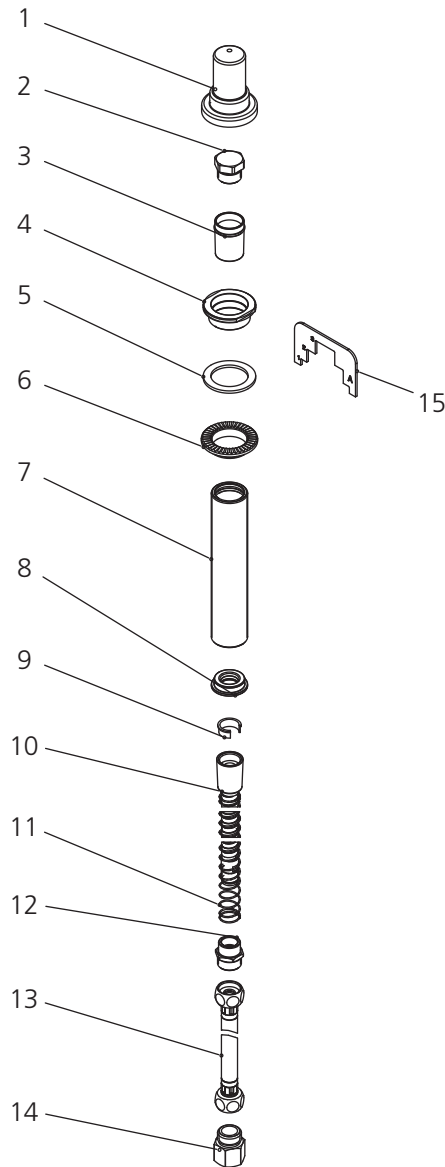
COPYRIGHT © LBIP LTD 2012. ALL RIGHTS RESERVED.

DIMENSIONS IN INCHES & MILLIMETRES

WHILST EVERY EFFORT IS MADE TO ENSURE THE ACCURACY OF THESE DATA SHEETS THEY ARE SUBJECT TO CHANGE WITHOUT NOTICE AS PART OF THE COMPANY'S PRODUCT DEVELOPMENT PROCESS

R1-4026

PULL-OUT HAND SHOWER ROUGH WITH HOSE (1.85M) , TO SUIT CW-1022, CB-1022, C1-1022, M1-1027, M1-1028, M1-1033, Y1-1022, Y1-1027, Y1-1028 & Y1-1033



- 1 Protective cap (038103)
- 2 Plug (028599)
- 3 Ring (200197)
- 4 Nut (009331)
- 5 Oil-seal (010022)

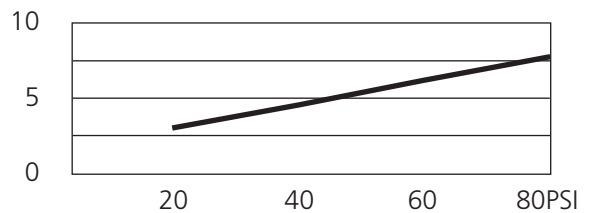
- 6 Nut (054026)
- 7 Shank (014638)
- 8 Ring (200198)
- 9 Clip (012294)
- 10 Shower hose (105786)

- 11 Spring (005195)
- 12 Adaptor (067570)
- 13 Flexible hose (105057)
- 14 Adaptor (039968)
- 15 Gauge A (027105)

Standards

Meets A112.18.1

Flow Rate



Please note :

Final achievable flow rate is dependent on the outlets fitted, see relevant outlets (spouts, roses, sprays) for fully assembled product flow rate.