



LEFROY BROOKS

1 8 2 8 T R O U T M A N S T R E E T
R I D G E W O O D N E W Y O R K N Y 1 1 3 8 5 U S A
T : + 1 (7 1 8) 3 0 2 5 2 9 2 F : + 1 (7 1 8) 3 0 2 4 1 7 7

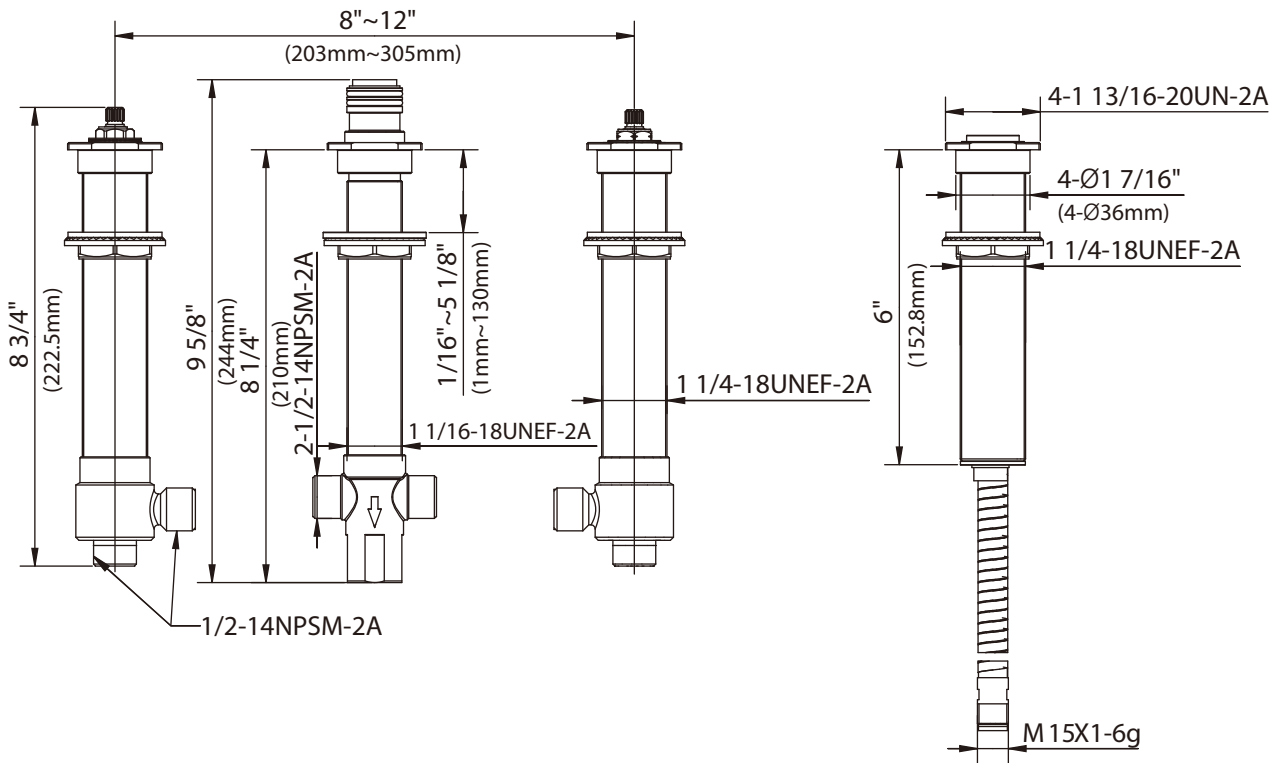
R1-4024

CROSS HANDLE 4-HOLE BATH SET WITH PULL-UP DIVERTER ROUGH ONLY, TO SUIT M1-2150, M1-2152, M1-2154, C1-2150

DIMENSIONAL DATA SHEET

DATE: 17 September 2012

No: A66F364-50



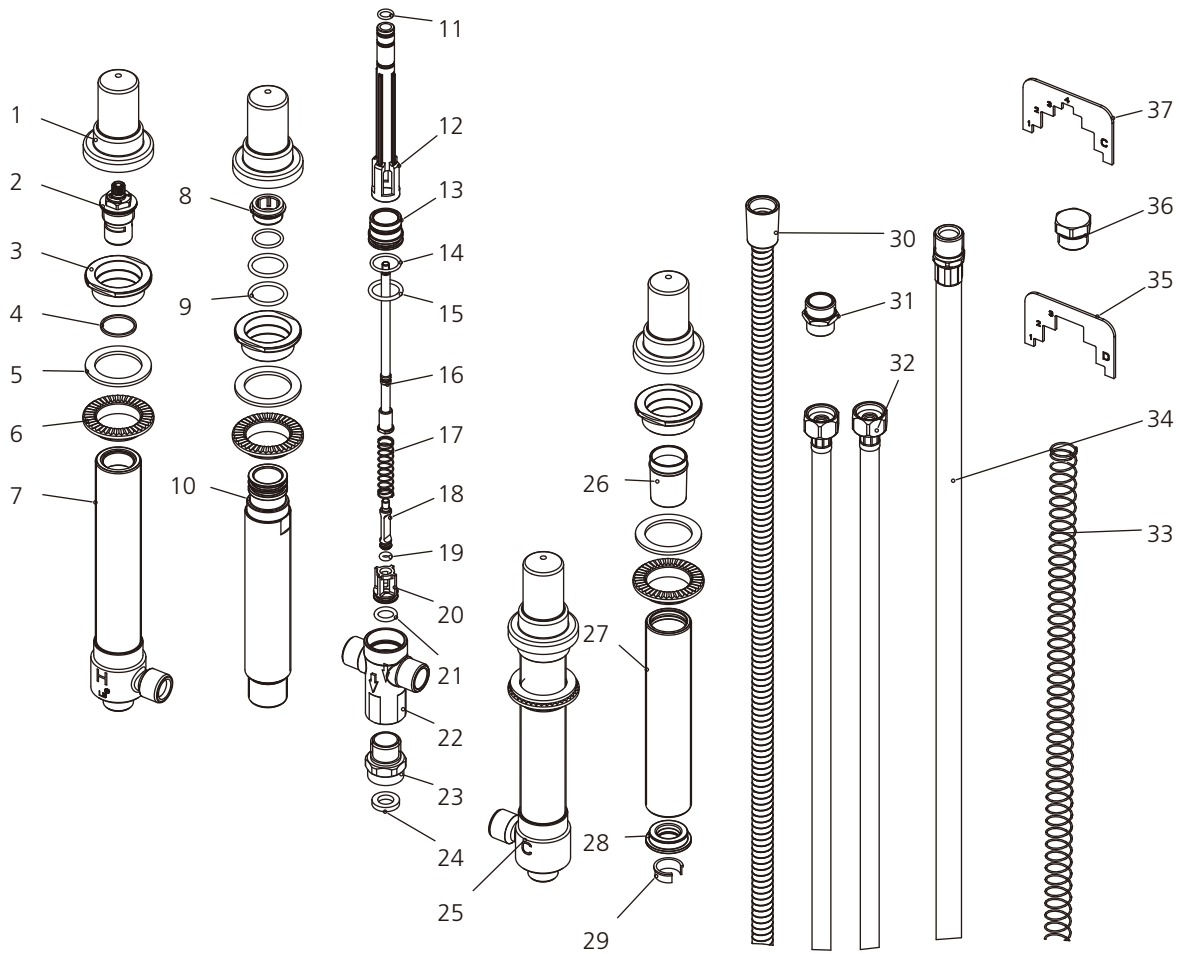
COPYRIGHT © LBIP LTD 2012. ALL RIGHTS RESERVED.

DIMENSIONS IN INCHES & MILLIMETRES

WHILST EVERY EFFORT IS MADE TO ENSURE THE ACCURACY OF THESE DATA SHEETS THEY ARE SUBJECT TO CHANGE WITHOUT NOTICE AS PART OF THE COMPANY'S PRODUCT DEVELOPMENT PROCESS

R1-4024

CROSS HANDLE 4-HOLE BATH SET WITH PULL-UP DIVERTER ROUGH ONLY, TO SUIT M1-2150, M1-2152, M1-2154, C1-2150

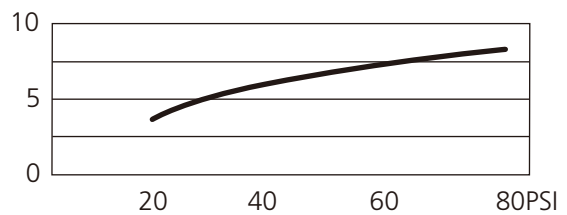


- | | | | | | |
|----|------------------------------|----|------------------------------|----|-------------------------|
| 1 | Protective cap (038103) | 14 | O-ring (004074N) | 27 | Side body (014638) |
| 2 | Cartridge (H) (507145-50) | 15 | O-ring (048034N) | 28 | Adaptor (200198) |
| 3 | Nut (009331) | 16 | Pulling rod (125455) | 29 | Clip (012294) |
| 4 | O-ring (200143N) | 17 | Spring (005626) | 30 | Hose (105786) |
| 5 | Oil-seal (010022) | 18 | Diverter rod (208340) | 31 | Adaptor (067570) |
| 6 | Nut (054026) | 19 | O-ring (004673) | 32 | Flexible hose (105694N) |
| 7 | Side body (H) (061113H-50) | 20 | Valve shell (033774) | 33 | Flexible hose (005195) |
| 8 | Plug (028492N) | 21 | O-ring (004002N) | 34 | Spring (105015) |
| 9 | O-ring (072073N) | 22 | Connceptor (015009) | 35 | Gauge D (027108) |
| 10 | Body (014551) | 23 | Adaptor (039194) | 36 | Plug (028599) |
| 11 | O-ring (004001N) | 24 | Oil-seal (010834N) | 37 | Gauge C (027107) |
| 12 | Inner tube (052186) | 25 | Side body (C) (061113C-50) | | |
| 13 | Adaptor (077122) | 26 | Sleeve (200197) | | |

Standards

IAPMO/cUPC Listed
Meets A112.18.1

Flow Rate



Please note :

Final achievable flow rate is dependent on the outlets fitted, see relevant outlets (spouts, roses, sprays) for fully assembled product flow rate.