



LEFROY BROOKS

1828 TROUTMAN STREET
 RIDGEWOOD NEW YORK NY 11385 USA
 T: +1(718) 302 5292 F: +1(718) 302 4177

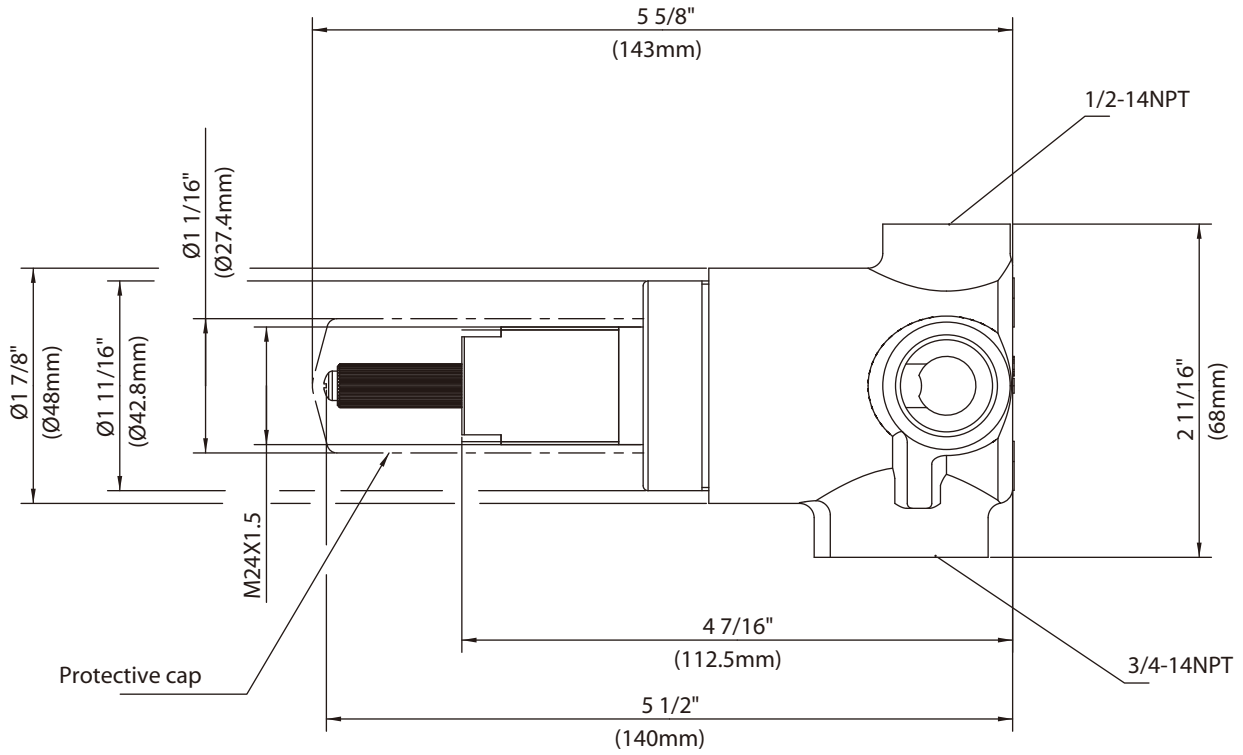
R1-4001

THREE-WAY WALL DIVERTER ROUGH ONLY, TO SUIT CW-1011,
 CB-1011, M1-1012, M1-1013, K1-1012, K1-1013, X1-1005

DIMENSIONAL DATA SHEET

DATE: 09 NOVEMBER 2015

No: A661479



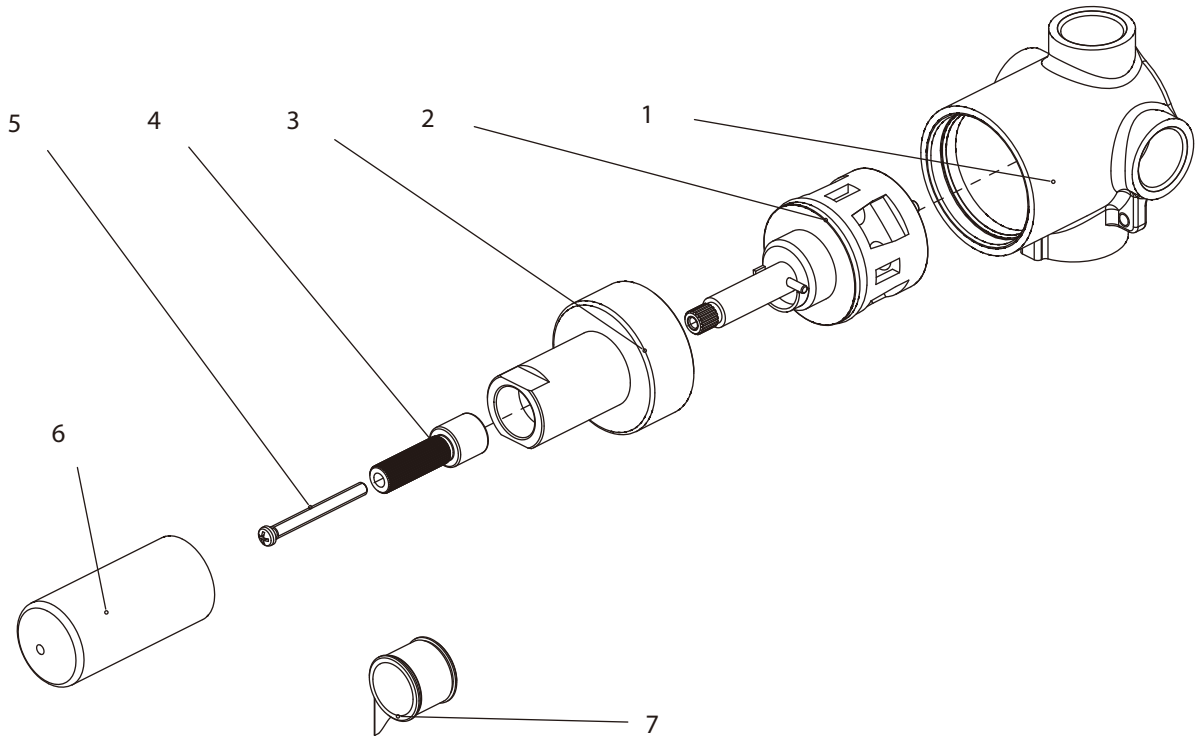
COPYRIGHT © LBIP LTD 2012. ALL RIGHTS RESERVED.

DIMENSIONS IN INCHES & MILLIMETRES

WHILST EVERY EFFORT IS MADE TO ENSURE THE ACCURACY OF THESE DATA SHEETS THEY ARE SUBJECT TO CHANGE WITHOUT NOTICE AS PART OF THE COMPANY'S PRODUCT DEVELOPMENT PROCESS

R1-4001

THREE-WAY WALL DIVERTER ROUGH ONLY, TO SUIT CW-1011, CB-1011, M1-1012, M1-1013, K1-1012, K1-1013, X1-1005

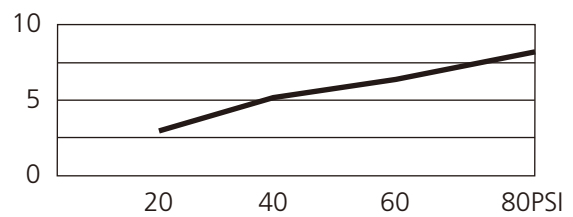


- 1 Body (076894)
- 2 Cartridge (024545)
- 3 Nut (009630)
- 4 Spindle (110415)
- 5 Screw (008180)
- 6 Protective cap (038007)
- 7 Teflon tape (203000)

Standards

IAPMO/cUPC Listed
Meets A112.18.1

Flow Rate



Please note :
Final achievable flow rate is dependent on the outlets fitted, see relevant outlets (spouts, roses, sprays) for fully assembled product flow rate.