



LEFROY BROOKS

1 8 2 8 T R O U T M A N S T R E E T
R I D G E W O O D N E W Y O R K N Y 1 1 3 8 5 U S A
T: +1(718) 302 5292 F: +1(718) 302 4177

R1-4007

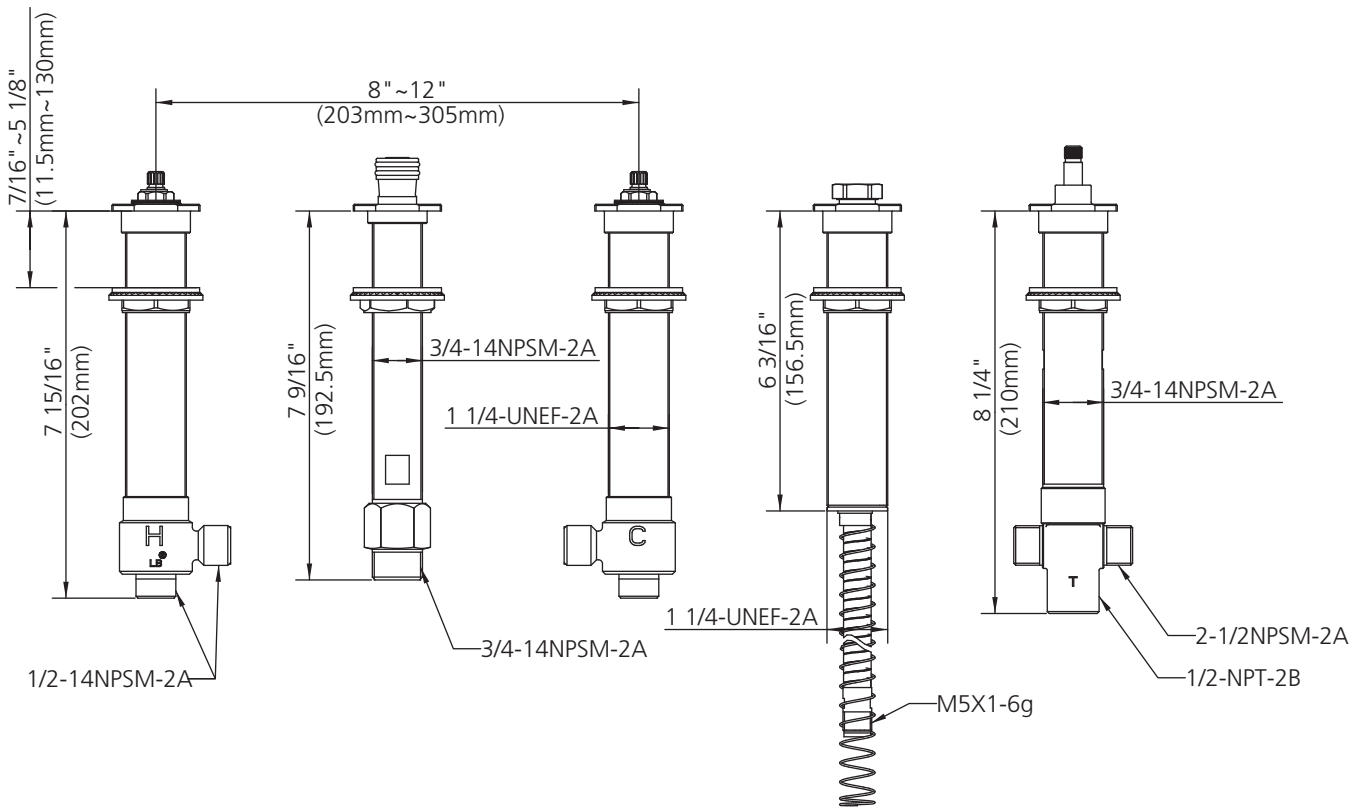
LEVER 5-HOLE BATH SET WITH PULL-OUT HAND SHOWER & DECK
DIVERTER ROUGH, TO SUIT K1-2201, X1-1056, M1-2201, M1-2202,
M1-2205, M1-2206, M1-2208, M1-2209, M2-2201, M2-2202

DIMENSIONAL DATA SHEET

DATE: 8 March 2012

No: A66F342-50

©COPYRIGHT 2009. CHRISTO LEFROY BROOKS. ALL RIGHTS RESERVED.

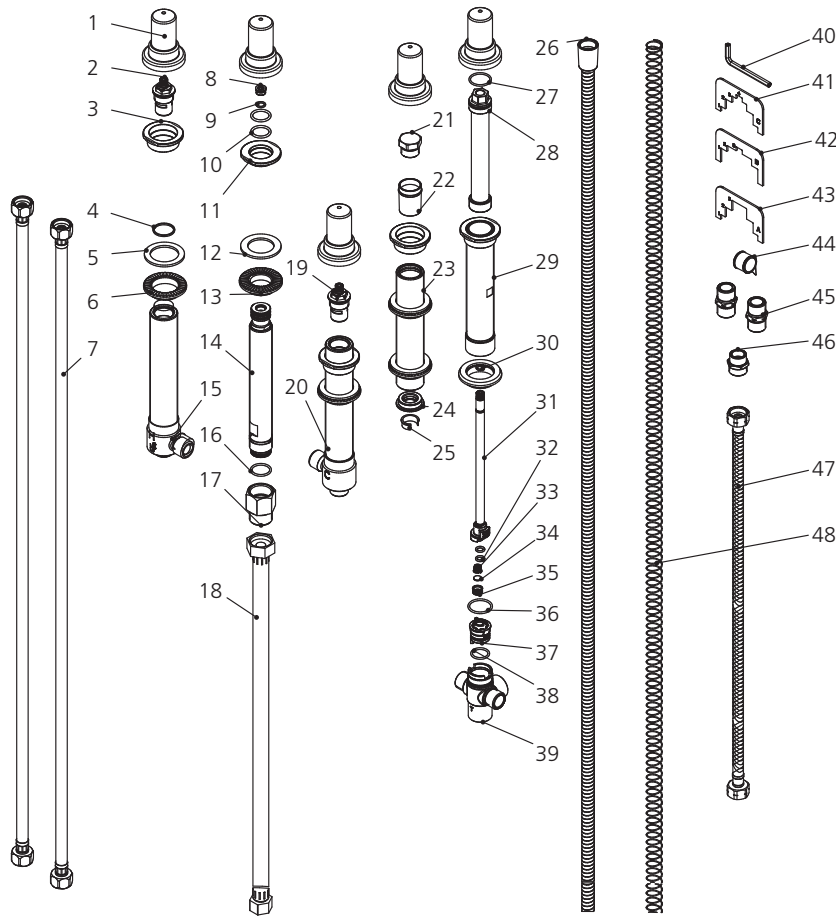


DIMENSIONS IN INCHES & MILLIMETRES

WHILST EVERY EFFORT IS MADE TO ENSURE THE ACCURACY OF THESE DATA SHEETS THEY ARE SUBJECT TO CHANGE WITHOUT NOTICE AS PART OF THE COMPANY'S PRODUCT DEVELOPMENT PROCESS

R1-4007

LEVER 5-HOLE BATH SET WITH PULL-OUT HAND SHOWER & DECK DIVERTER ROUGH, TO SUIT K1-2201, X1-1056, M1-2201, M1-2202, M1-2205, M1-2206, M1-2208, M1-2209, M2-2201, M2-2202

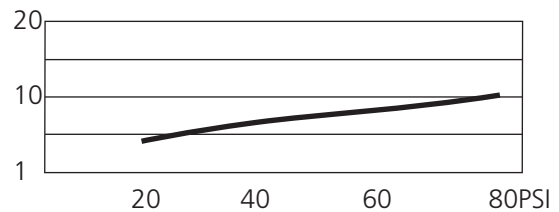


- | | | | | | |
|----|---------------------------|----|---------------------------|----|-------------------------|
| 1 | Protective cap (038103) | 17 | Adaptor (039008) | 33 | Spring (005000) |
| 2 | Cartridge (H) (507725-50) | 18 | Flexible hose (105137) | 34 | Washer (060067) |
| 3 | Nut (009331) | 19 | Cartridge (C) (507724-50) | 35 | Plug (101000) |
| 4 | Ring (200143N) | 20 | Shank (061113C-50) | 36 | O-ring (004535N) |
| 5 | Oil-seal (010022) | 21 | Plug (028599) | 37 | Shell (033764) |
| 6 | Nut (054026) | 22 | Ring (200197) | 38 | O-ring (004074N) |
| 7 | Flexible hose (105694N) | 23 | Shank (014638) | 39 | Body (076171) |
| 8 | Plug (028211) | 24 | Ring (200198) | 40 | Allen key (031213) |
| 9 | O-ring (072060N) | 25 | Clip (012294) | 41 | Gauge C (027107) |
| 10 | O-ring (063060) | 26 | Shower hose (105786) | 42 | Gauge B (027104) |
| 11 | Nut (009333) | 27 | O-ring (048099R) | 43 | Gauge A (027105) |
| 12 | Oil-seal (010023) | 28 | Shell (033095) | 44 | Teflon tape (203000) |
| 13 | Nut (054027) | 29 | Shank (014546) | 45 | Adaptor (077034) |
| 14 | Shank (014581) | 30 | O-ring (072007N) | 46 | Adaptor (067570) |
| 15 | Shank (061113H-50) | 31 | Diverter valve (208141) | 47 | Flexible hose (134057N) |
| 16 | O-ring (063091N) | 32 | O-ring (063026N) | 48 | Spring (005195) |

Standards

IAPMO/cUPC Listed
Meets A112.18.1

Flow Rate



Please note :
Final achievable flow rate is dependent on the outlets fitted, see relevant outlets (spouts, roses, sprays) for fully assembled product flow rate.