



# LEFROY BROOKS

1 8 2 8 T R O U T M A N S T R E E T  
R I D G E W O O D N E W Y O R K N Y 1 1 3 8 5 U S A  
T: +1(718) 302 5292 F: +1(718) 302 4177

## R1-4006

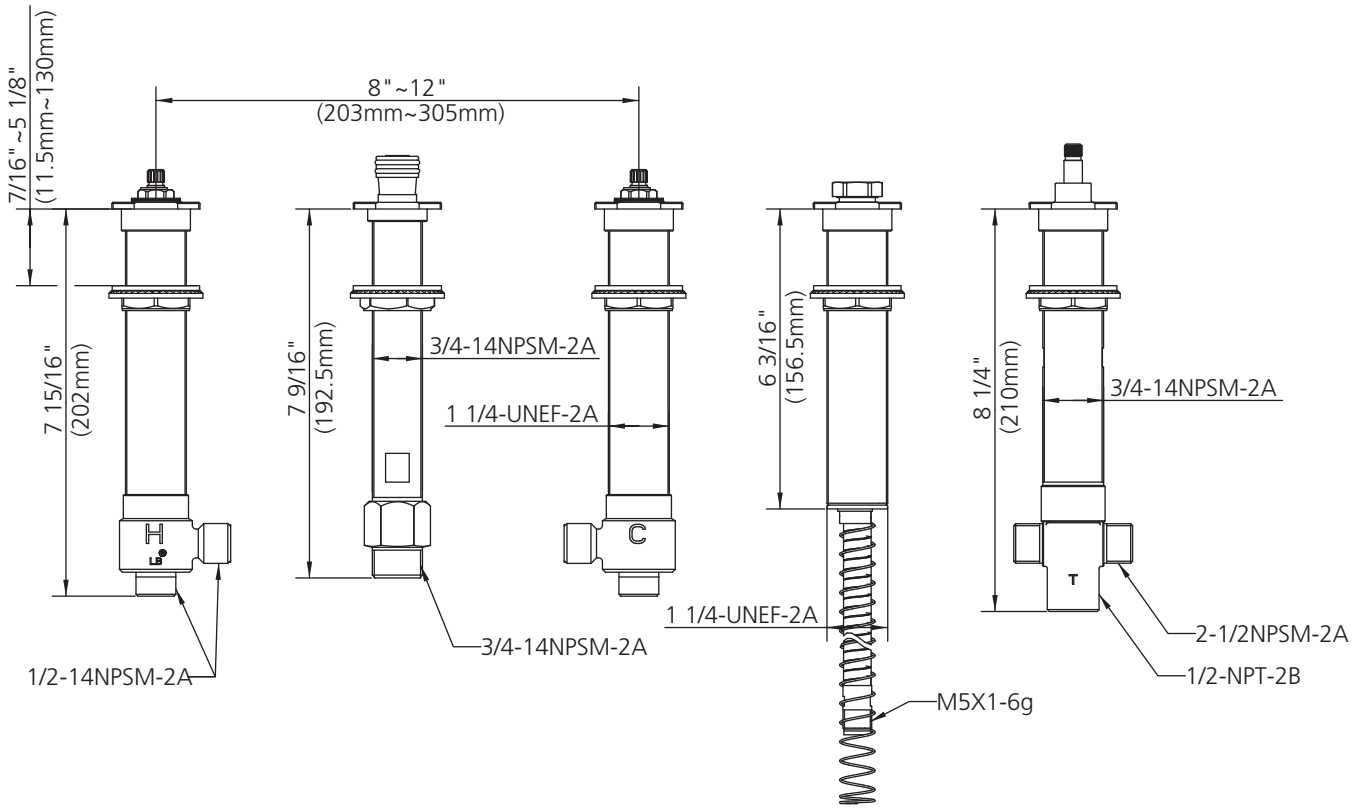
CROSS HANDLE 5-HOLE BATH SET & PULL-OUT HAND SHOWER  
WITH DECK DIVERTER ROUGH, TO SUIT K1-2200, M1-2200,  
M1-2204, M1-2207, M2-2200

### DIMENSIONAL DATA SHEET

DATE: 8 March 2012

No: A66F174

©COPYRIGHT 2009. CHRISTO LEFROY BROOKS. ALL RIGHTS RESERVED.

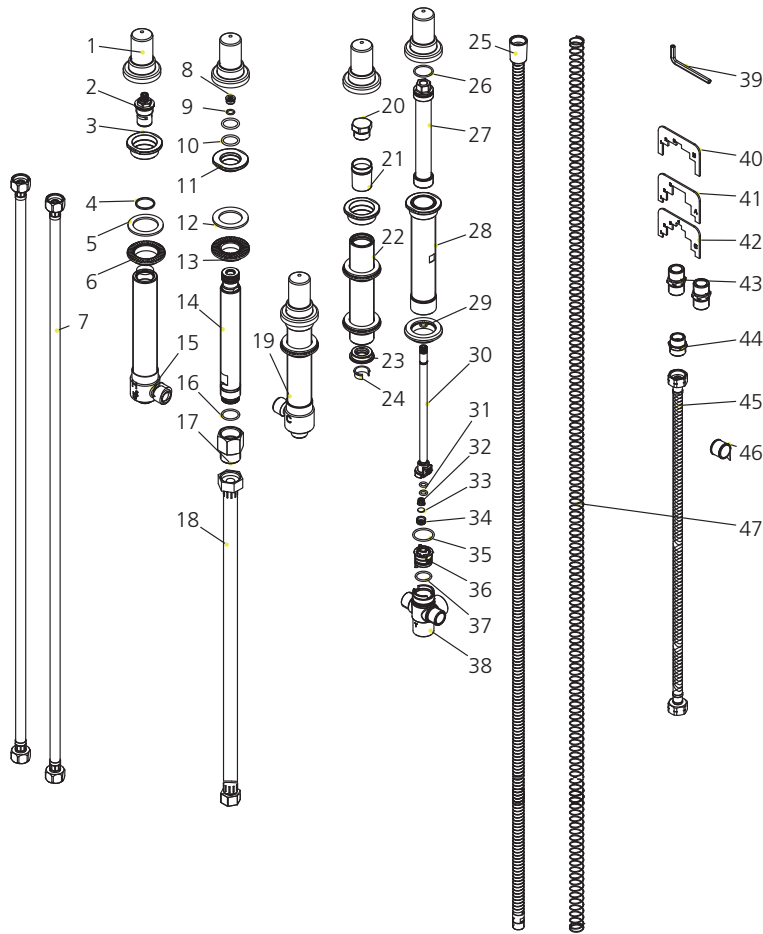


DIMENSIONS IN INCHES & MILLIMETRES

WHILST EVERY EFFORT IS MADE TO ENSURE THE ACCURACY OF THESE DATA SHEETS THEY ARE SUBJECT TO CHANGE WITHOUT NOTICE AS PART OF THE COMPANY'S PRODUCT DEVELOPMENT PROCESS

# R1-4006

CROSS HANDLE 5-HOLE BATH SET & PULL-OUT HAND SHOWER WITH DECK DIVERTER ROUGH, TO SUIT K1-2200, M1-2200, M1-2204, M1-2207, M2-2200

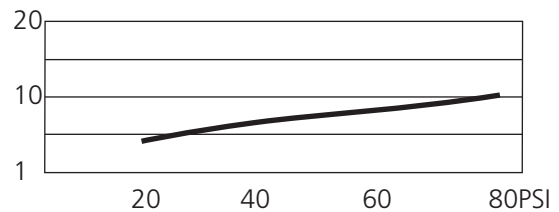


1	Protective cap (038103)	17	Adaptor (039008)	33	Washer (060067)
2	Cartridge (507145-50)	18	Flexible hose (105137)	34	Plug (101000)
3	Nut (009331)	19	Shank (061113C-50)	35	O-ring (004535N)
4	Ring (200143N)	20	Plug (028599)	36	Shell (033764)
5	Oil-seal (010022)	21	Ring (200197)	37	O-ring (004074N)
6	Nut (054026)	22	Shank (014638)	38	Body (076171)
7	Flexible hose (105694N)	23	Ring (200198)	39	Allen key (031213)
8	Plug (028211)	24	Clip (012294)	40	Gauge B (027104)
9	O-ring (072060N)	25	Shower hose (105786)	41	Gauge A (027105)
10	O-ring (063060)	26	O-ring (048099R)	42	Gauge C (027107)
11	Nut (009333)	27	Shell (033095)	43	Adaptor (077034)
12	Oil-seal (010023)	28	Shank (014546)	44	Adaptor (067570)
13	Nut (054027)	29	O-ring (072007N)	45	Flexible hose (134057N)
14	Shank (014581)	30	Diverter valve (208141)	46	Teflon tape (203000)
15	Shank (061113H-50)	31	O-ring (063026N)	47	Spring (005195)
16	O-ring (063091N)	32	Spring (005000)		

## Standards

IAPMO/cUPC Listed  
Meets A112.18.1

## Flow Rate



Please note :  
Final achievable flow rate is dependent on the outlets fitted, see relevant outlets (spouts, roses, sprays) for fully assembled product flow rate.