



LEFROY BROOKS

1 8 2 8 T R O U T M A N S T R E E T  
R I D G E W O O D N E W Y O R K N Y 1 1 3 8 5 U S A  
T : + 1 ( 7 1 8 ) 3 0 2 5 2 9 2 F : + 1 ( 7 1 8 ) 3 0 2 4 1 7 7

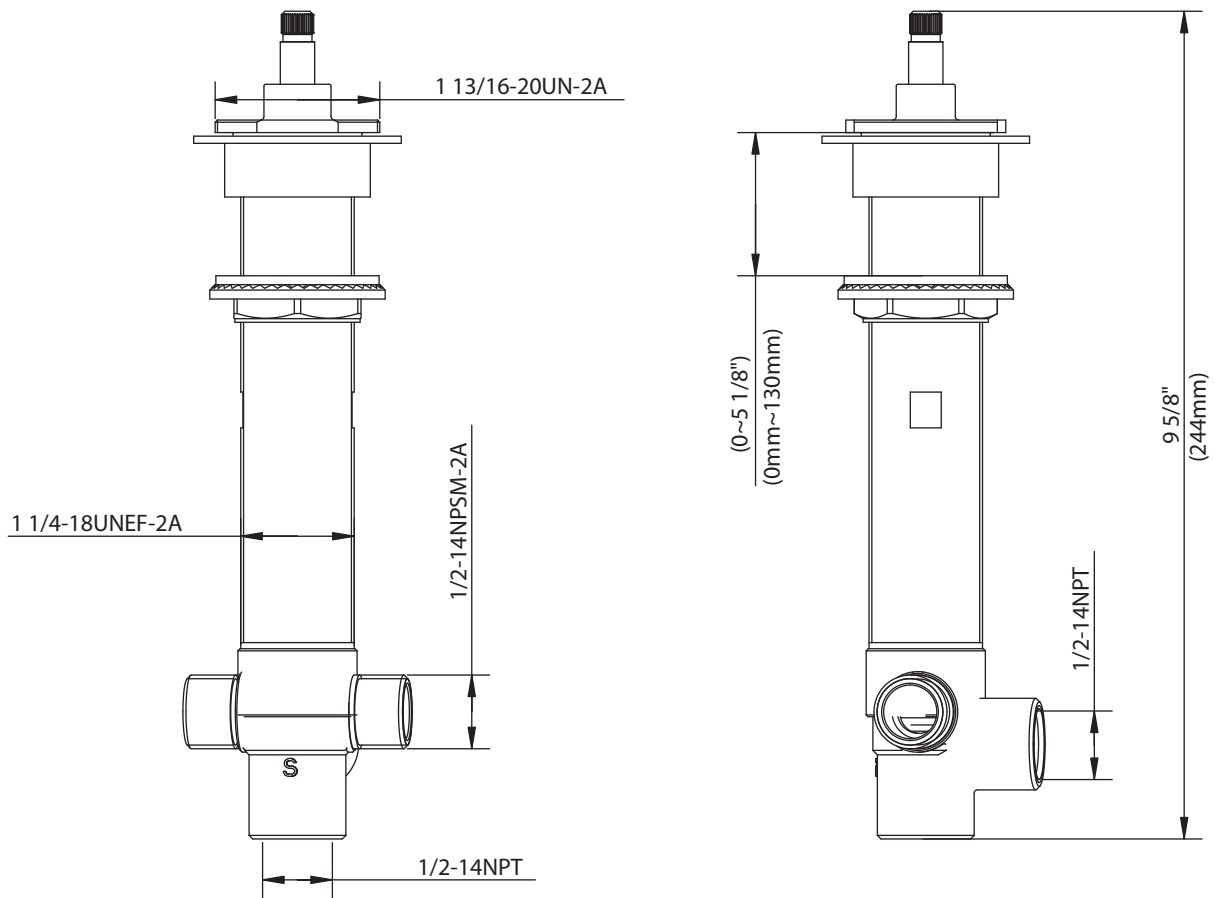
R1-4003

TWO-WAY DECK DIVERter ROUGH ONLY, TO SUIT K1-1016,  
K1-1017, M1-1016, M1-1017, X1-1001

DIMENSIONAL DATA SHEET

DATE: 19 January 2016

No: A66F363



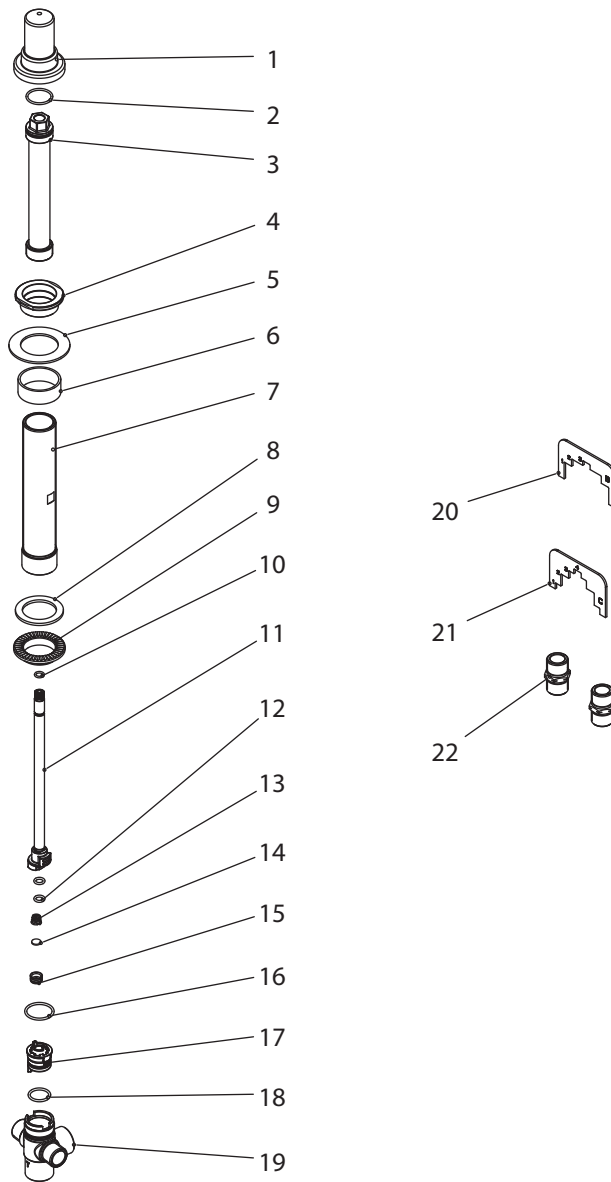
COPYRIGHT © LBIP LTD 2012. ALL RIGHTS RESERVED.

DIMENSIONS IN INCHES & MILLIMETRES

WHILST EVERY EFFORT IS MADE TO ENSURE THE ACCURACY OF THESE DATA SHEETS THEY ARE SUBJECT TO CHANGE WITHOUT NOTICE AS PART OF THE COMPANY'S PRODUCT DEVELOPMENT PROCESS

# R1-4003

TWO-WAY DECK DIVERTER ROUGH ONLY, TO SUIT K1-1016, K1-1017, M1-1016, M1-1017, X1-1001



- 1 Protective cap (038103)
- 2 O-ring (048099R)
- 3 Shell (033095)
- 4 Nut (009331)
- 5 Washer (060255)
- 6 Sleeve (041837)
- 7 Shank (014546)
- 8 Oil-seal (010022)

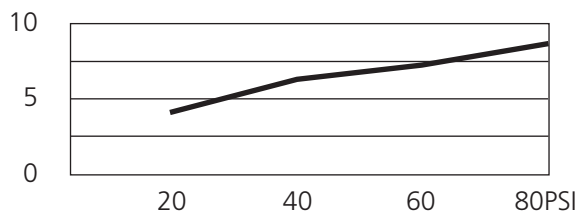
- 9 Nut (054026)
- 10 O-ring (072007N)
- 11 Diverter valve (208141)
- 12 O-ring (063026N)
- 13 Spring (005000)
- 14 Washer (060067)
- 15 Plug (101000)
- 16 O-ring (004535N)

- 17 Shell (033764)
- 18 O-ring (004074N)
- 19 Body (076171)
- 20 Gauge B (027104)
- 21 Gauge C (027107)
- 22 Adaptor (077034)

## Standards

IAPMO/cUPC Listed  
Meets A112.18.1

## Flow Rate



Please note :

Final achievable flow rate is dependent on the outlets fitted, see relevant outlets (spouts, roses, sprays) for fully assembled product flow rate.