



LEFROY BROOKS

1 8 2 8 T R O U T M A N S T R E E T
R I D G E W O O D N E W Y O R K N Y 1 1 3 8 5 U S A
T: +1(718) 302 5292 F: +1(718) 302 4177

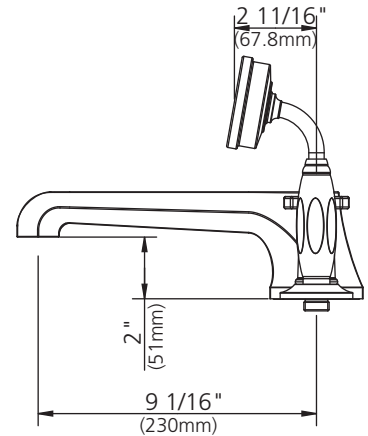
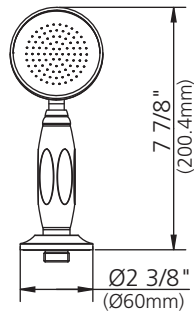
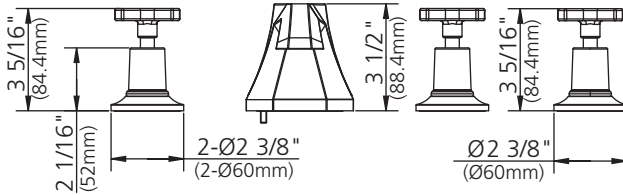
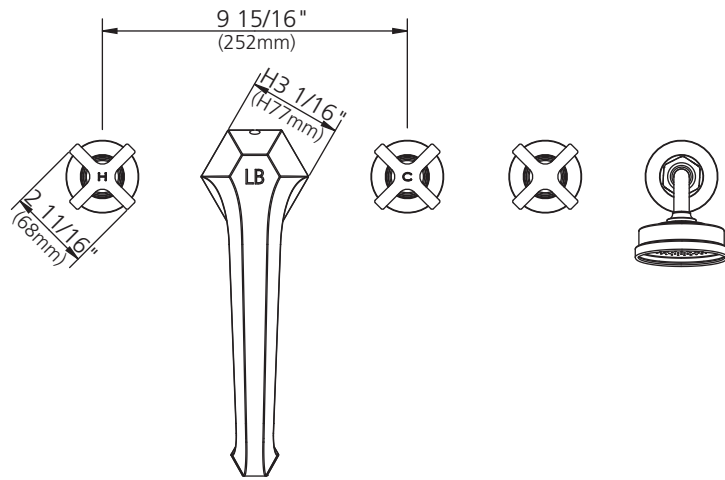
M1-2200

CROSS HANDLE 5-HOLE BATH SET & PULL-OUT BLACK
HAND SHOWER WITH DECK DIVERTER TRIM ONLY,
TO SUIT R1-4006 ROUGH

DIMENSIONAL DATA SHEET

DATE: 15 December 2010

No: A66F472-50



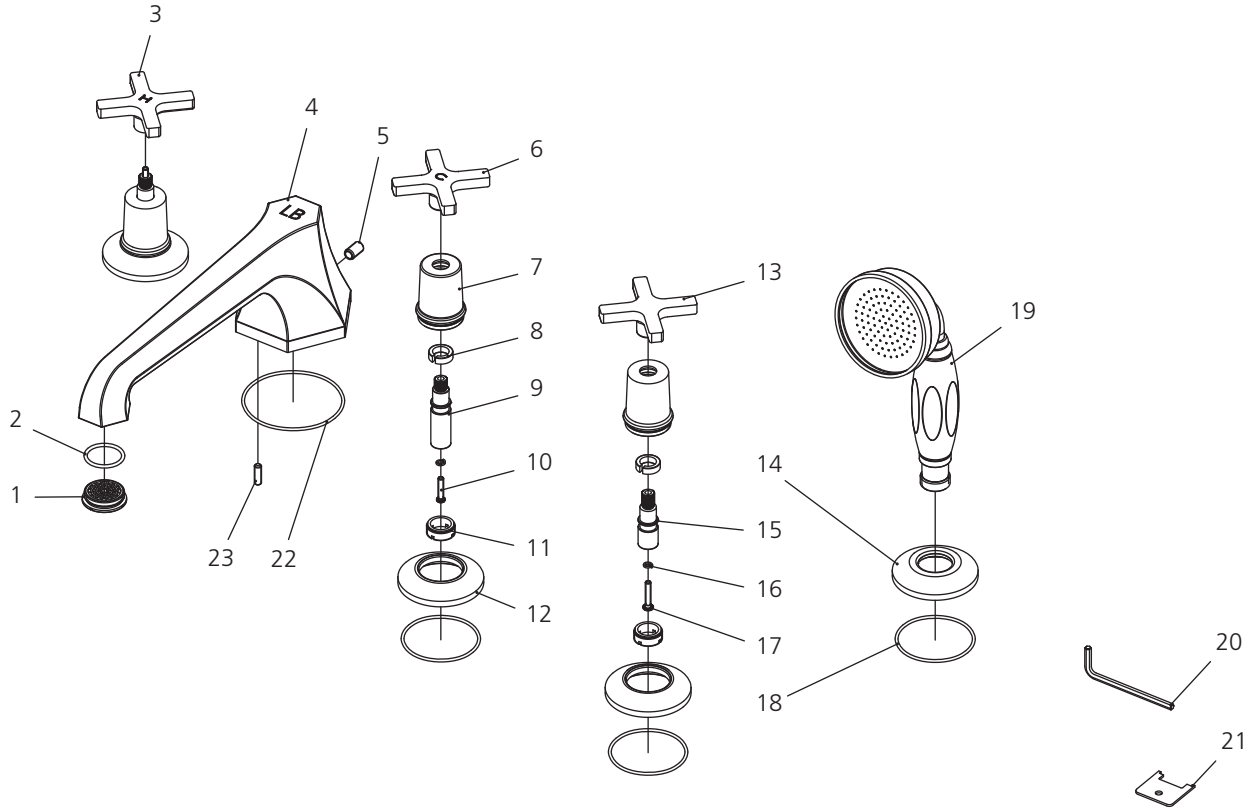
©COPYRIGHT 2009. CHRISTO LEFROY BROOKS. ALL RIGHTS RESERVED.

DIMENSIONS IN INCHES & MILLIMETRES

WHILST EVERY EFFORT IS MADE TO ENSURE THE ACCURACY OF THESE DATA SHEETS THEY ARE SUBJECT TO CHANGE WITHOUT NOTICE AS PART OF THE COMPANY'S PRODUCT DEVELOPMENT PROCESS

M1-2200

CROSS HANDLE 5-HOLE BATH SET & PULL-OUT BLACK HAND SHOWER WITH DECK DIVERTER TRIM ONLY, TO SUIT R1-4006 ROUGH

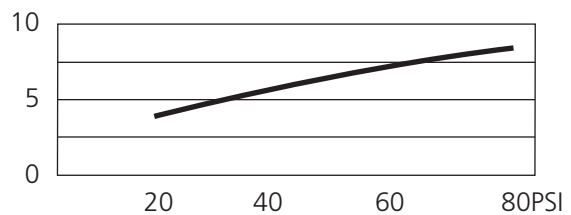


1	Aerator (500058)	9	Stem extension (110320)	17	Screw (008487)
2	O-ring (072091)	10	Screw (008486)	18	O-ring (004591)
3	Cross handle (hot) (029685H-T)	11	Adaptor (057507)	19	Hand shower (S2110309)
4	Spout (118553-50)	12	Escutcheon (215478)	20	Allen key (031011)
5	Screw (065027)	13	Diverter (029685-T)	21	Wrench for aerator (031214)
6	Cross handle (cold) (029685C-T)	14	Escutcheon (071433)	22	O-ring (072013)
7	Canopy (018209)	15	Adaptor (067196)	23	Set screw (292540)
8	Clip (012242)	16	Washer (013570)		

Standards

IAPMO/cUPC Listed
Meets A112.18.1

Flow Rate



Please note :

Final achievable flow rate is dependent on the outlets fitted, see relevant outlets (spouts, roses, sprays) for fully assembled product flow rate.