



LEFROY BROOKS

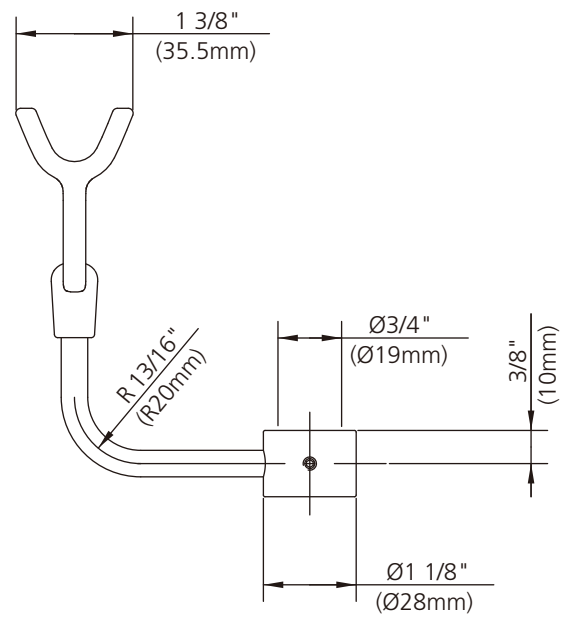
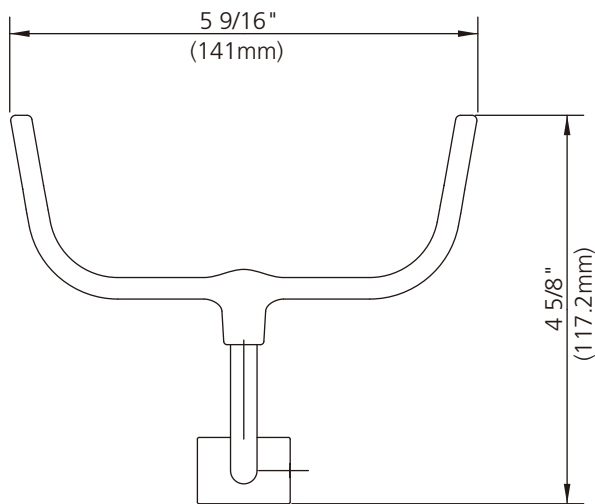
1 8 2 8 T R O U T M A N S T R E E T
R I D G E W O O D N E W Y O R K N Y 1 1 3 8 5 U S A
T: +1(718) 302 5292 F: +1(718) 302 4177

Y1-5461 (LB1751)
RISER HAND SHOWER CRADLE

DIMENSIONAL DATA SHEET

DATE: 03 January 2013

No: A664165



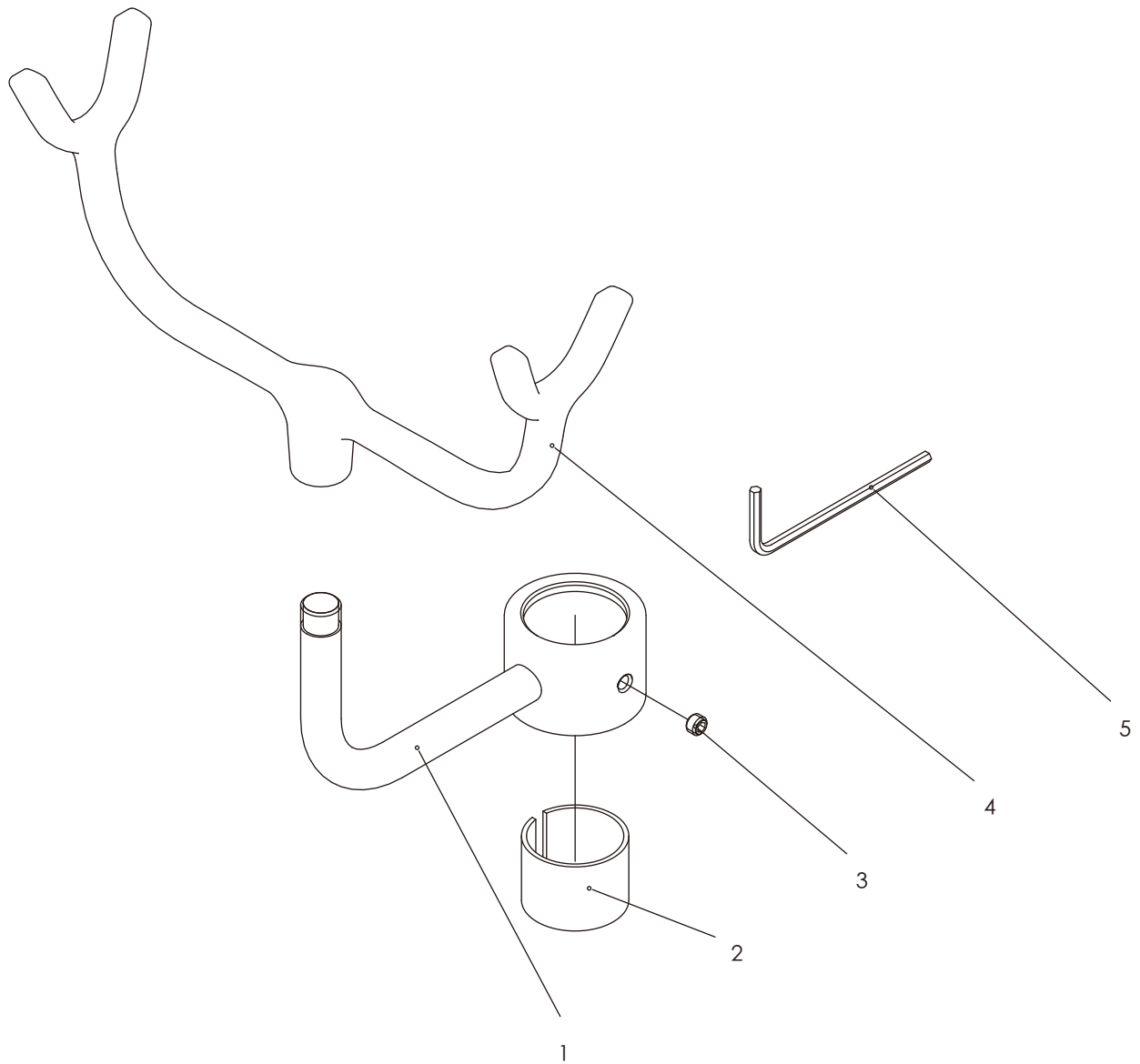
COPYRIGHT © LBIP LTD 2012. ALL RIGHTS RESERVED.

DIMENSIONS IN INCHES & MILLIMETRES

WHILST EVERY EFFORT IS MADE TO ENSURE THE ACCURACY OF THESE DATA SHEETS THEY ARE SUBJECT TO CHANGE WITHOUT NOTICE AS PART OF THE COMPANY'S PRODUCT DEVELOPMENT PROCESS

Y1-5461 (LB1751)

RISER HAND SHOWER CRADLE



- 1 Cradle assembly (229121)
- 2 Clip (012311)
- 3 Set screw (053205)
- 4 Shower cradle (229118)
- 5 Allen key (031003)

Standards

Meets A112.18.1

Please note :

Final achievable flow rate is dependent on the outlets fitted, see relevant outlets (spouts, roses, sprays) for fully assembled product flow rate.