



LEFROY BROOKS

1 8 2 8 T R O U T M A N S T R E E T
R I D G E W O O D N E W Y O R K N Y 1 1 3 8 5 U S A
T : + 1 (7 1 8) 3 0 2 5 2 9 2 F : + 1 (7 1 8) 3 0 2 4 1 7 7

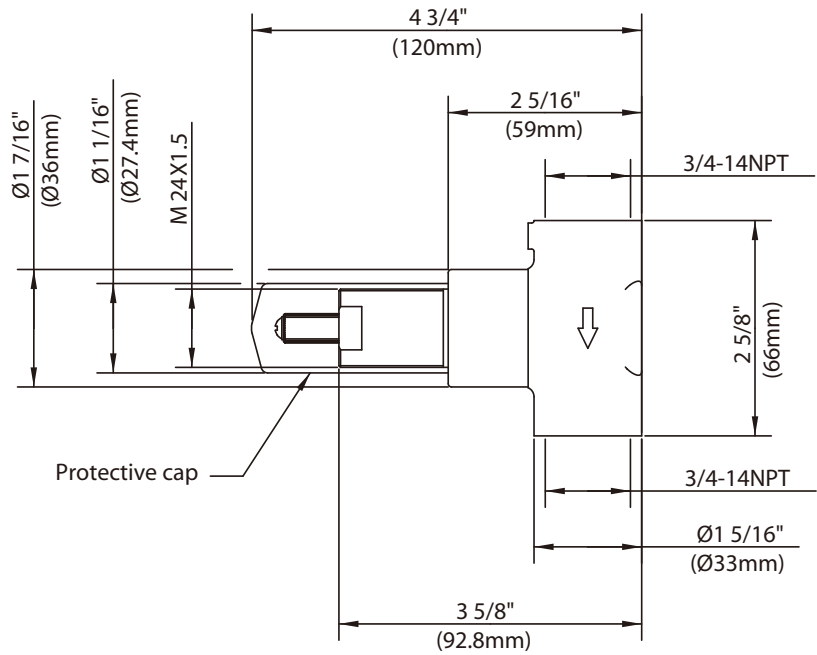
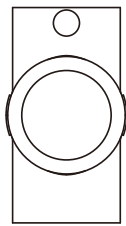
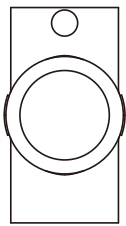
R1-4031

WALL FLOW CONTROL ROUGHS (1 PAIR), TO SUIT K1-1024,
M1-1024, X1-1024, CW-1024, CB-1024

DIMENSIONAL DATA SHEET

DATE: 09 August 2013

No: A66F452



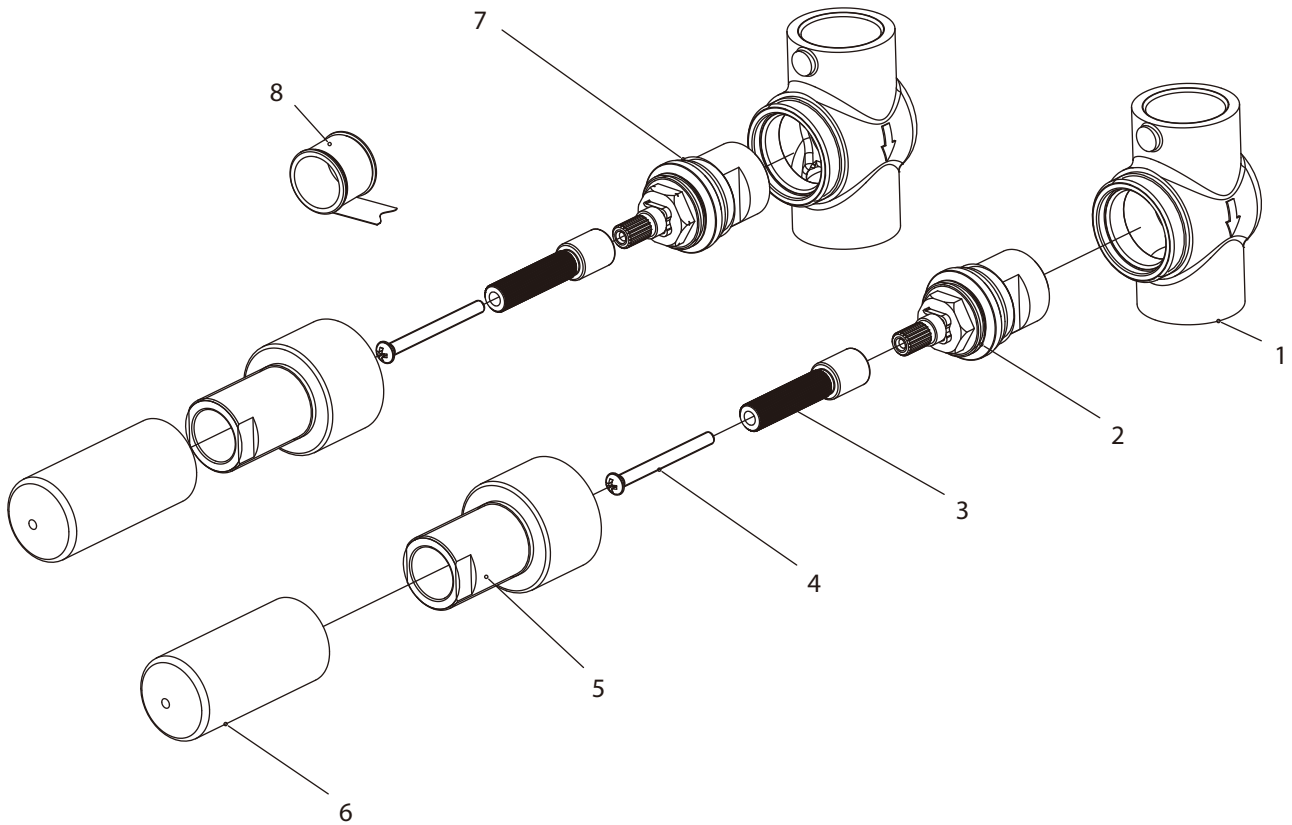
COPYRIGHT © LBIP, LTD 2012. ALL RIGHTS RESERVED.

DIMENSIONS IN INCHES & MILLIMETRES

WHILST EVERY EFFORT IS MADE TO ENSURE THE ACCURACY OF THESE DATA SHEETS THEY ARE SUBJECT TO CHANGE WITHOUT NOTICE AS PART OF THE COMPANY'S PRODUCT DEVELOPMENT PROCESS

R1-4031

WALL FLOW CONTROL ROUGHS (1 PAIR), TO SUIT K1-1024, M1-1024, X1-1024, CW-1024, CB-1024

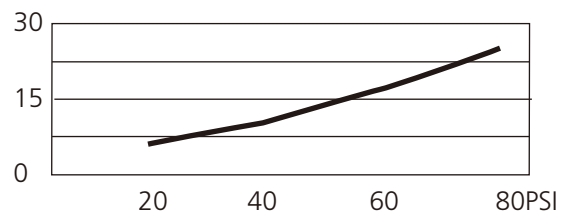


- | | | | |
|---|--------------------------|---|--------------------------|
| 1 | Body (002531) | 5 | Nut (009628) |
| 2 | Cartridge (C) (507455) | 6 | Protective cap (038007) |
| 3 | Spindle (110408) | 7 | Cartridge (H) (507456) |
| 4 | Screw (065035) | 8 | Teflon tape (203000) |

Standards

IAPMO/cUPC Listed
Meets A112.18.1

Flow Rate



Please note :
Final achievable flow rate is dependent on the outlets fitted, see relevant outlets (spouts, roses, sprays) for fully assembled product flow rate.