



LEFROY BROOKS

1828 TROUTMAN STREET
RIDGWOOD NEW YORK NY 11385 USA
T: +1(718) 302 5292 F: +1(718) 302 4177

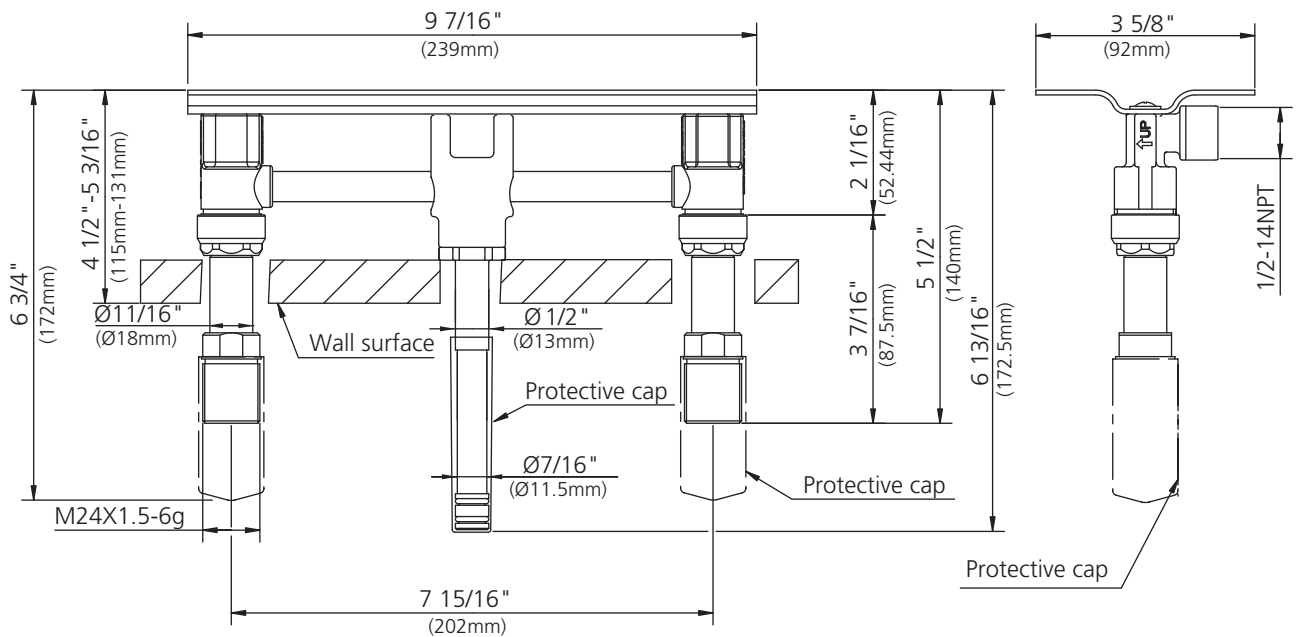
R1-4015

CROSS HANDLE 3-HOLE WALL BASIN MIXER ROUGH,
TO SUIT K1-1400, M2-1110

DIMENSIONAL DATA SHEET

DATE: 4 May 2012

No: A66F277W



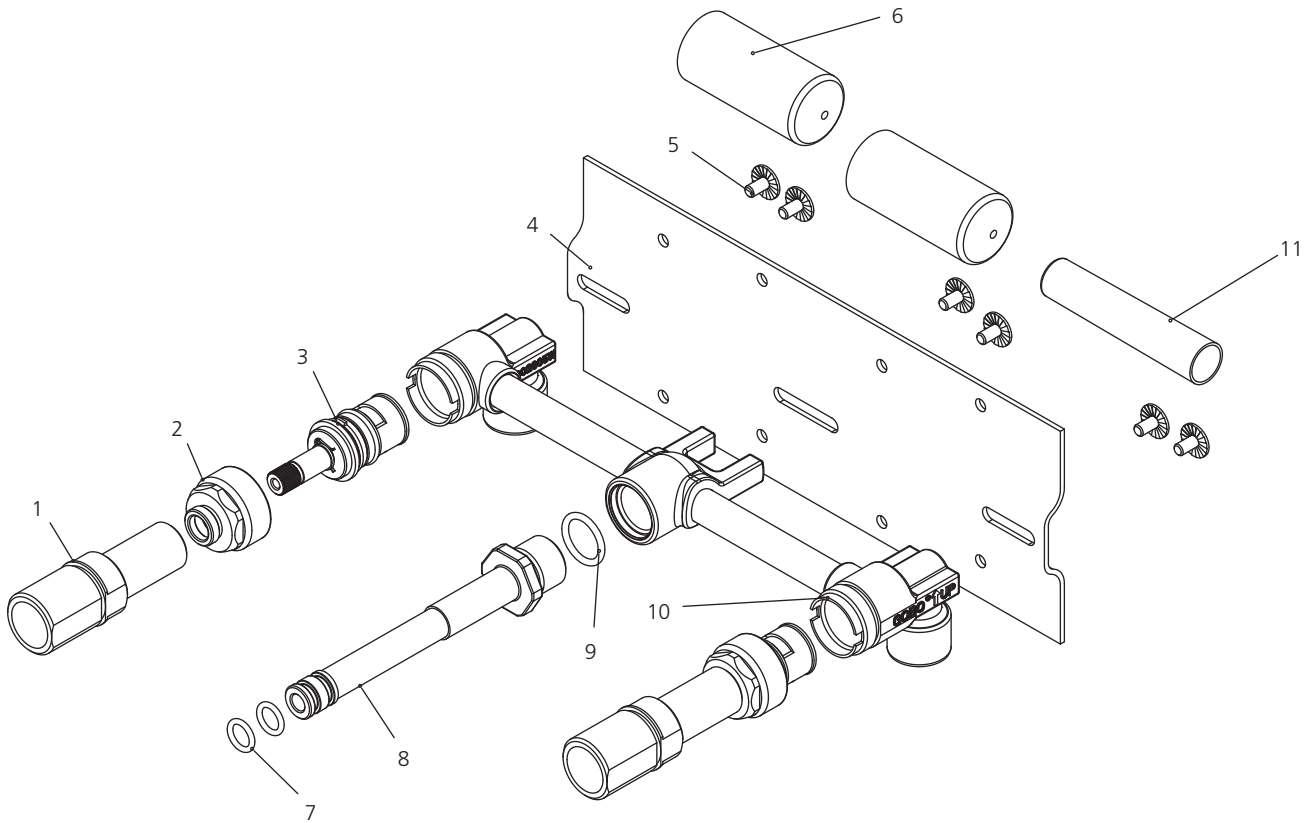
COPYRIGHT © LBP LTD 2012. ALL RIGHTS RESERVED.

DIMENSIONS IN INCHES & MILLIMETRES

WHILST EVERY EFFORT IS MADE TO ENSURE THE ACCURACY OF THESE DATA SHEETS THEY ARE SUBJECT TO CHANGE WITHOUT NOTICE AS PART OF THE COMPANY'S PRODUCT DEVELOPMENT PROCESS

R1-4015

CROSS HANDLE 3-HOLE WALL BASIN MIXER ROUGH, TO SUIT K1-1400, M2-1110

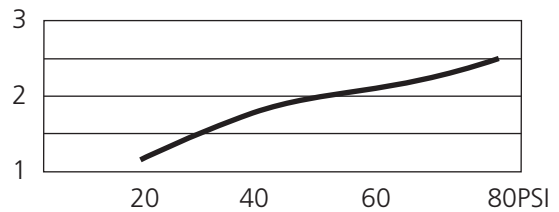


1	Adaptor (067733)	6	Protective cap (038007)	11	Protective cap (045160)
2	Retaining nut (016231)	7	O-ring (004026N)		
3	Cartridge (507909N)	8	Adaptor (067732W)		
4	Back plate (126671-S)	9	O-ring (004010N)		
5	Screw (008013)	10	Body (002727W)		

Standards

IAPMO/cUPC Listed
 Meets NSF 61-9
 Meets A112.18.1

Flow Rate



Please note :
 Final achievable flow rate is dependent on the outlets fitted, see relevant outlets (spouts, roses, sprays) for fully assembled product flow rate.