



**LEFROY BROOKS**

1 8 2 8 T R O U T M A N S T R E E T  
R I D G E W O O D N E W Y O R K N Y 1 1 3 8 5 U S A  
T: +1(718) 302 5292 F: +1(718) 302 4177

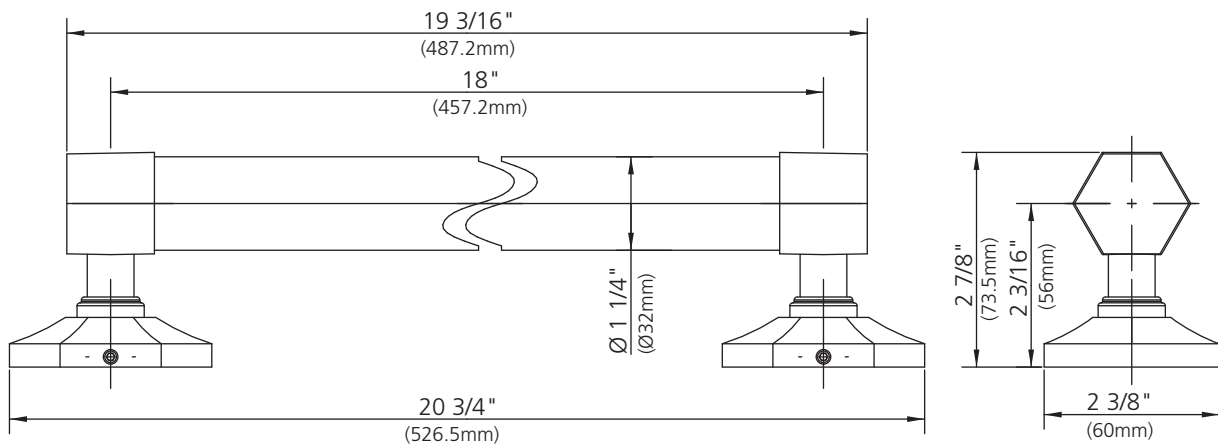
**M1-5351**

18" GRAB BAR

**DIMENSIONAL DATA SHEET**

DATE: 26 December 2011

No: B77B1100



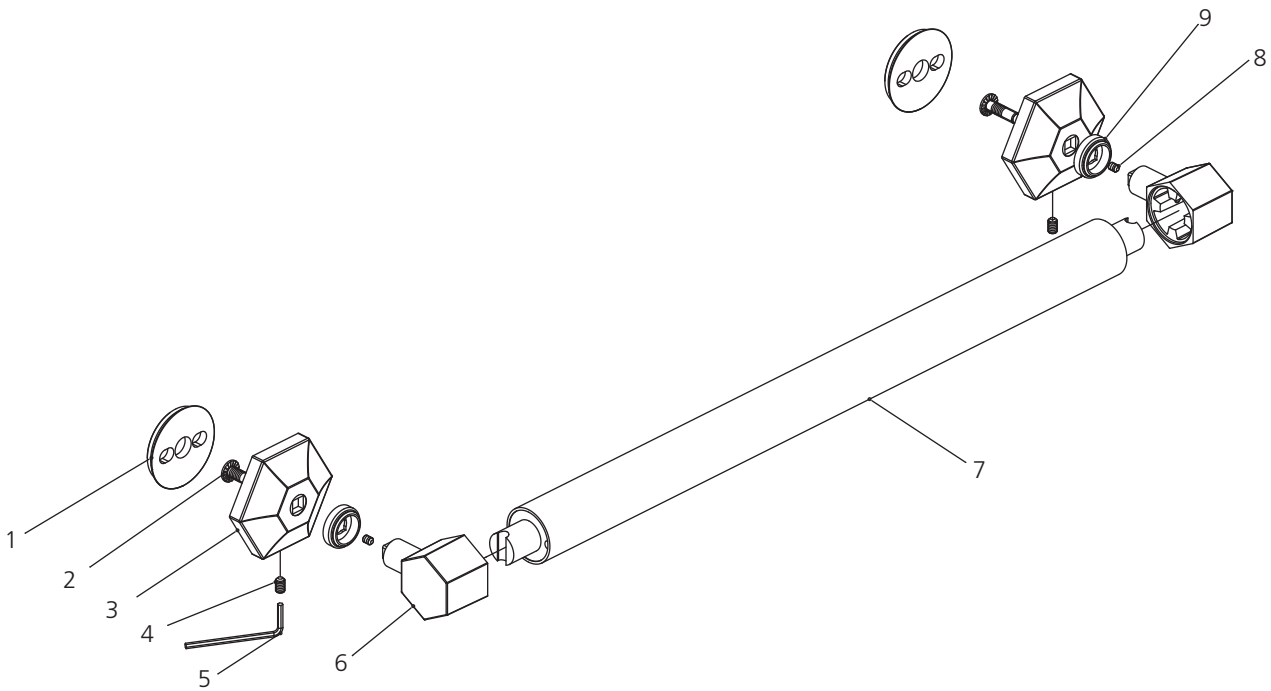
©COPYRIGHT 2009. CHRISTO LEFROY BROOKS. ALL RIGHTS RESERVED.

DIMENSIONS IN INCHES & MILLIMETRES

WHILST EVERY EFFORT IS MADE TO ENSURE THE ACCURACY OF THESE DATA SHEETS THEY ARE SUBJECT TO CHANGE WITHOUT NOTICE AS PART OF THE COMPANY'S PRODUCT DEVELOPMENT PROCESS

# M1-5351

18" GRAB BAR



- 1 Mounting bracket (293262)
- 2 Screw (292536)
- 3 Wall plate (241682)
- 4 Set screw (075039)
- 5 Allen key (031000)

- 6 Post (244362)
- 7 Grab bar (258122)
- 8 Set screw (292545)
- 9 Decorative ring (243195)