



**LEFROY BROOKS**

1 8 2 8 T R O U T M A N S T R E E T  
R I D G E W O O D N E W Y O R K N Y 1 1 3 8 5 U S A  
T : + 1 ( 7 1 8 ) 3 0 2 5 2 9 2 F : + 1 ( 7 1 8 ) 3 0 2 4 1 7 7

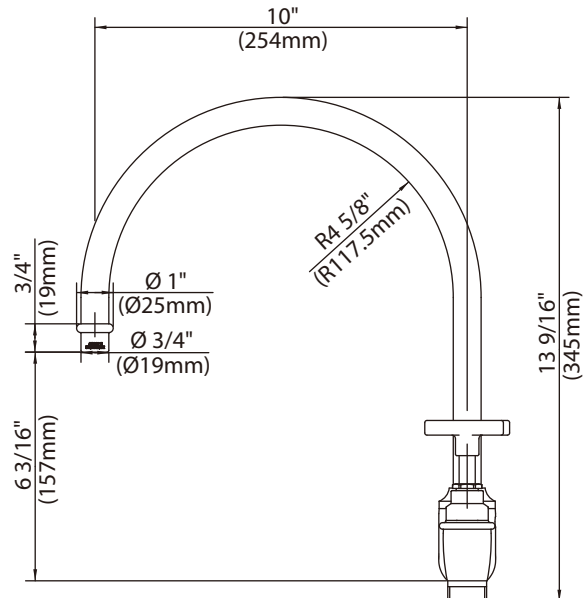
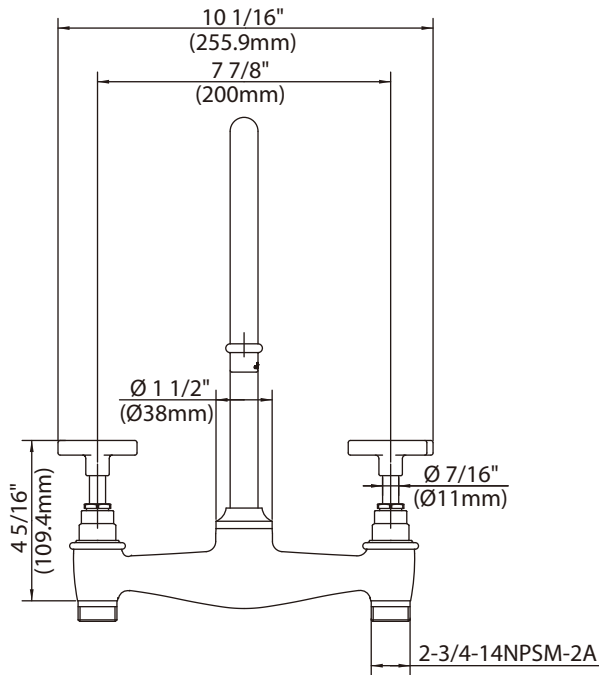
**M1-4715 (MH1517)**

CROSS HANDLE KITCHEN BRIDGE MIXER

**DIMENSIONAL DATA SHEET**

DATE: 29 November 2013

No: A66F214W



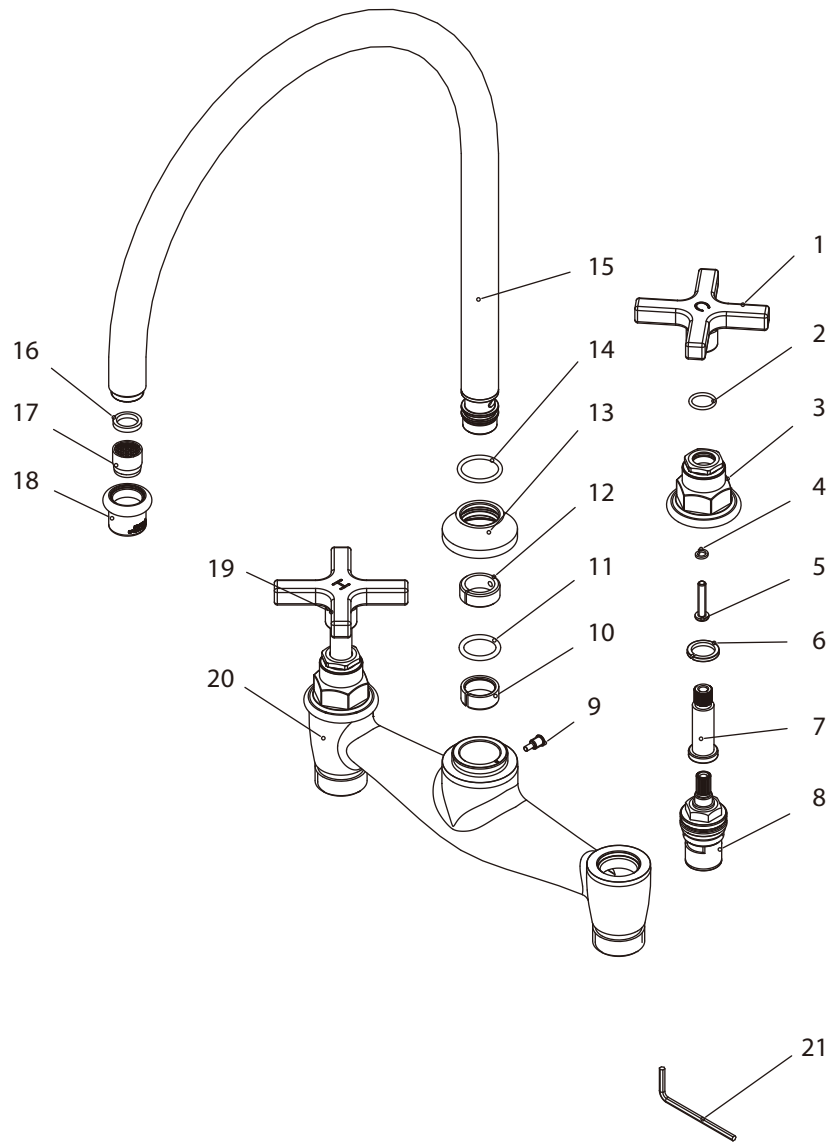
COPYRIGHT © LBIP LTD 2012. ALL RIGHTS RESERVED.

DIMENSIONS IN INCHES & MILLIMETRES

WHILST EVERY EFFORT IS MADE TO ENSURE THE ACCURACY OF THESE DATA SHEETS THEY ARE SUBJECT TO CHANGE WITHOUT NOTICE AS PART OF THE COMPANY'S PRODUCT DEVELOPMENT PROCESS

# M1-4715 (MH1517)

CROSS HANDLE KITCHEN BRIDGE MIXER



- 1 Handle ( C ) (029685C-T)
- 2 O-ring (048085N)
- 3 Canopy (018253)
- 4 Washer (013570)
- 5 Screw (008500)
- 6 Clip (012255)
- 7 Stem extension (110461)

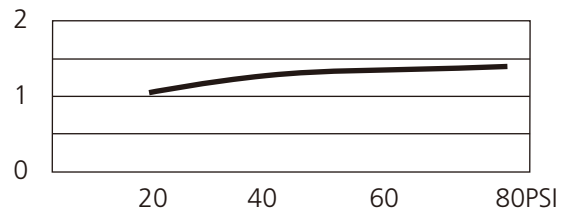
- 8 Cartridge (507907W)
- 9 Screw (008264)
- 10 Clip (012112N)
- 11 O-ring (004005N)
- 12 Clip (012060)
- 13 Adaptor (018227)
- 14 O-ring (063066N)

- 15 Spout assembly (139889W)
- 16 Oil-seal (010519N)
- 17 Aerator insert (553661N)
- 18 Aerator housing (305849N-54)
- 19 Handle ( H ) (029685H-T)
- 20 Body (002678W)
- 21 Allen Key (031000)

## Standards

IAPMO/cUPC Listed  
 Meets NSF 61-9  
 Meets A112.18.1

## Flow Rate



Please note :

Final achievable flow rate is dependent on the outlets fitted, see relevant outlets (spouts, roses, sprays) for fully assembled product flow rate.