



LEFROY BROOKS

1 8 2 8 T R O U T M A N S T R E E T
R I D G E W O O D N E W Y O R K N Y 1 1 3 8 5 U S A
T : + 1 (7 1 8) 3 0 2 5 2 9 2 F : + 1 (7 1 8) 3 0 2 4 1 7 7

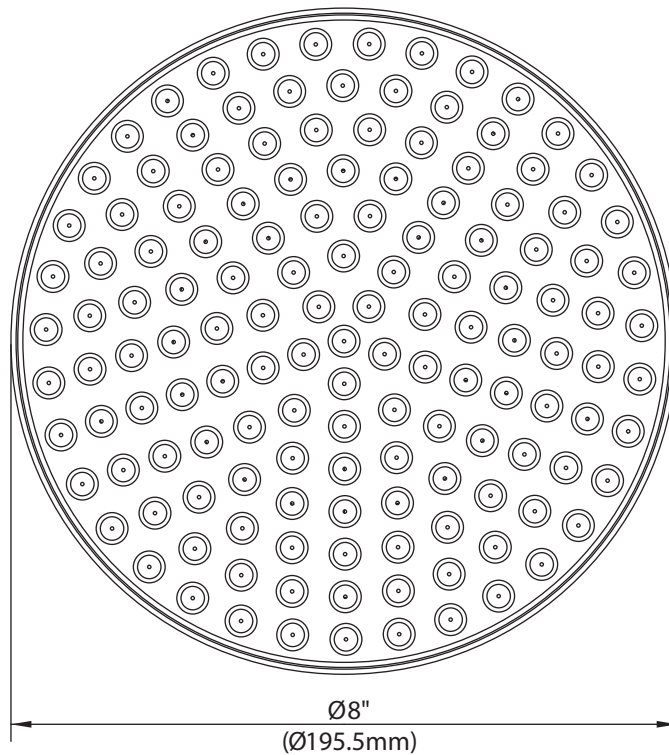
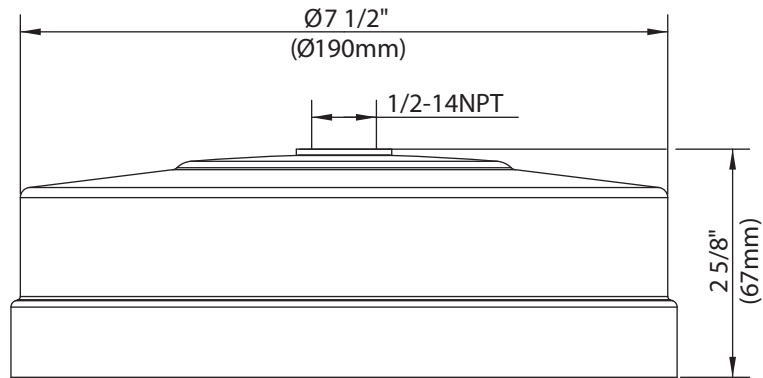
M1-4600

8-INCH BRASS SHOWER ROSE

DIMENSIONAL DATA SHEET

DATE: 04 February 2013

No: S1110819



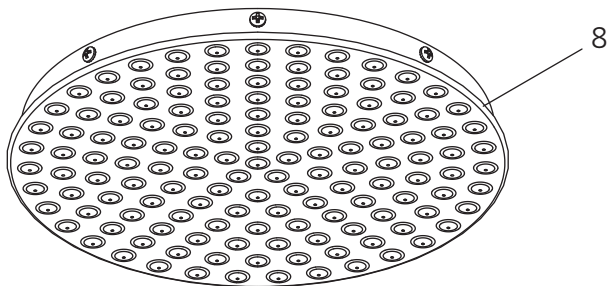
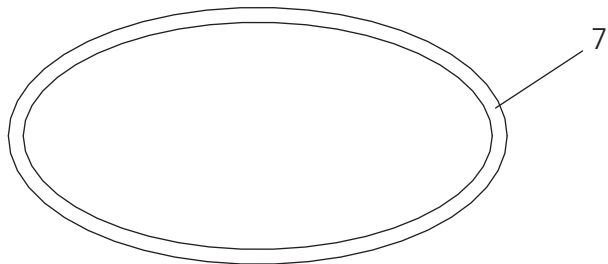
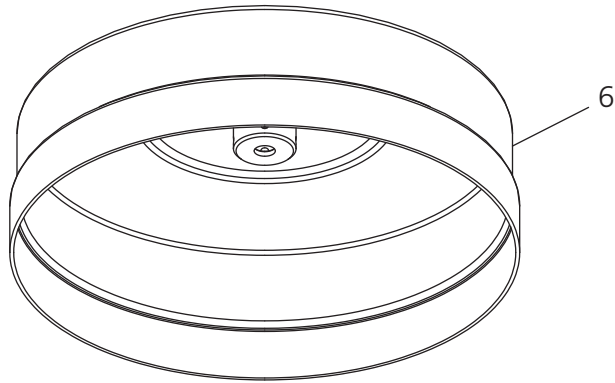
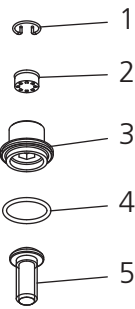
COPYRIGHT © LBIP LTD 2012. ALL RIGHTS RESERVED.

DIMENSIONS IN INCHES & MILLIMETRES

WHILST EVERY EFFORT IS MADE TO ENSURE THE ACCURACY OF THESE DATA SHEETS THEY ARE SUBJECT TO CHANGE WITHOUT NOTICE AS PART OF THE COMPANY'S PRODUCT DEVELOPMENT PROCESS

M1-4600

8-INCH BRASS SHOWER ROSE

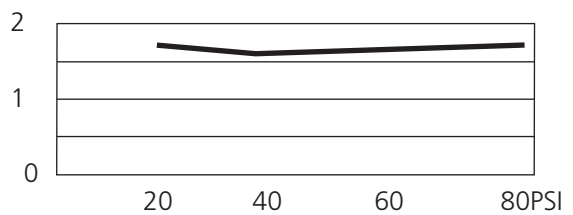


- 1 Clip (112696)
- 2 Flow restrictor (519018)
- 3 Seat (112697)
- 4 O-ring (004547)
- 5 Screw (558976-R2)
- 6 Body (055612)
- 7 O-ring (117022-R5)
- 8 Front cover (117022)

Standards

IAPMO/cUPC Listed
Meets A112.18.1

Flow Rate



Please note :
Final achievable flow rate is dependent on the outlets fitted, see relevant outlets (spouts, roses, sprays) for fully assembled product flow rate.