



LEFROY BROOKS

1 8 2 8 T R O U T M A N S T R E E T
R I D G E W O O D N E W Y O R K N Y 1 1 3 8 5 U S A
T : + 1 (7 1 8) 3 0 2 5 2 9 2 F : + 1 (7 1 8) 3 0 2 4 1 7 7

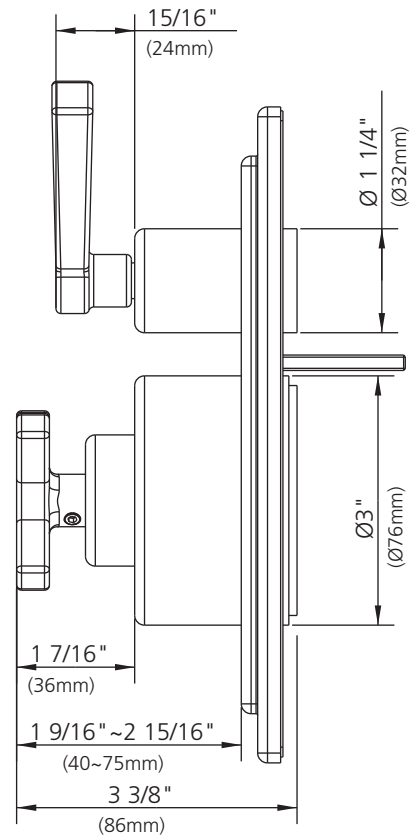
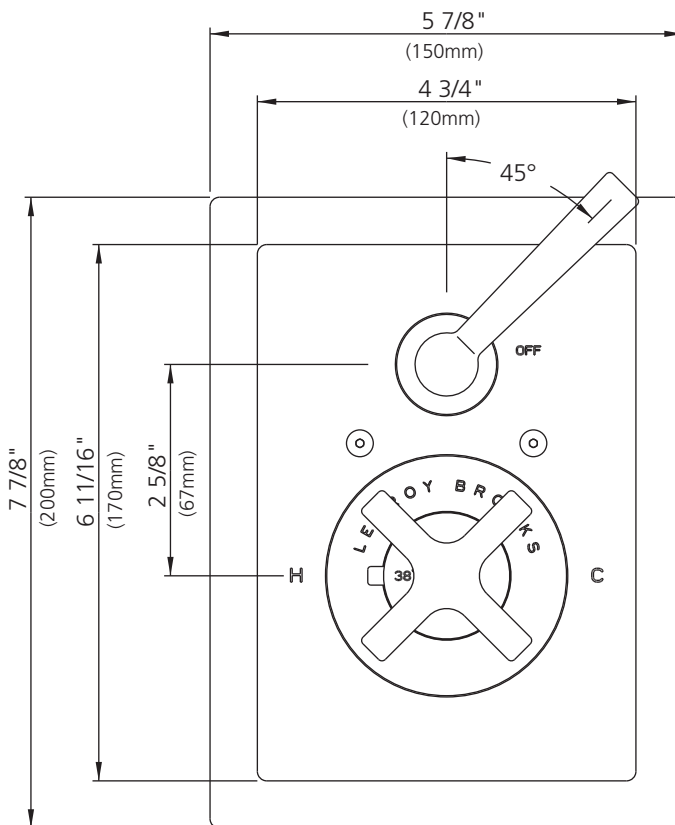
M1-4402

CROSS HANDLE THERMOSTATIC WITH LEVER FLOW CONTROL
TRIM ONLY, TO SUIT M1-4201 ROUGH

DIMENSIONAL DATA SHEET

DATE: 16 August 2012

No: A667447



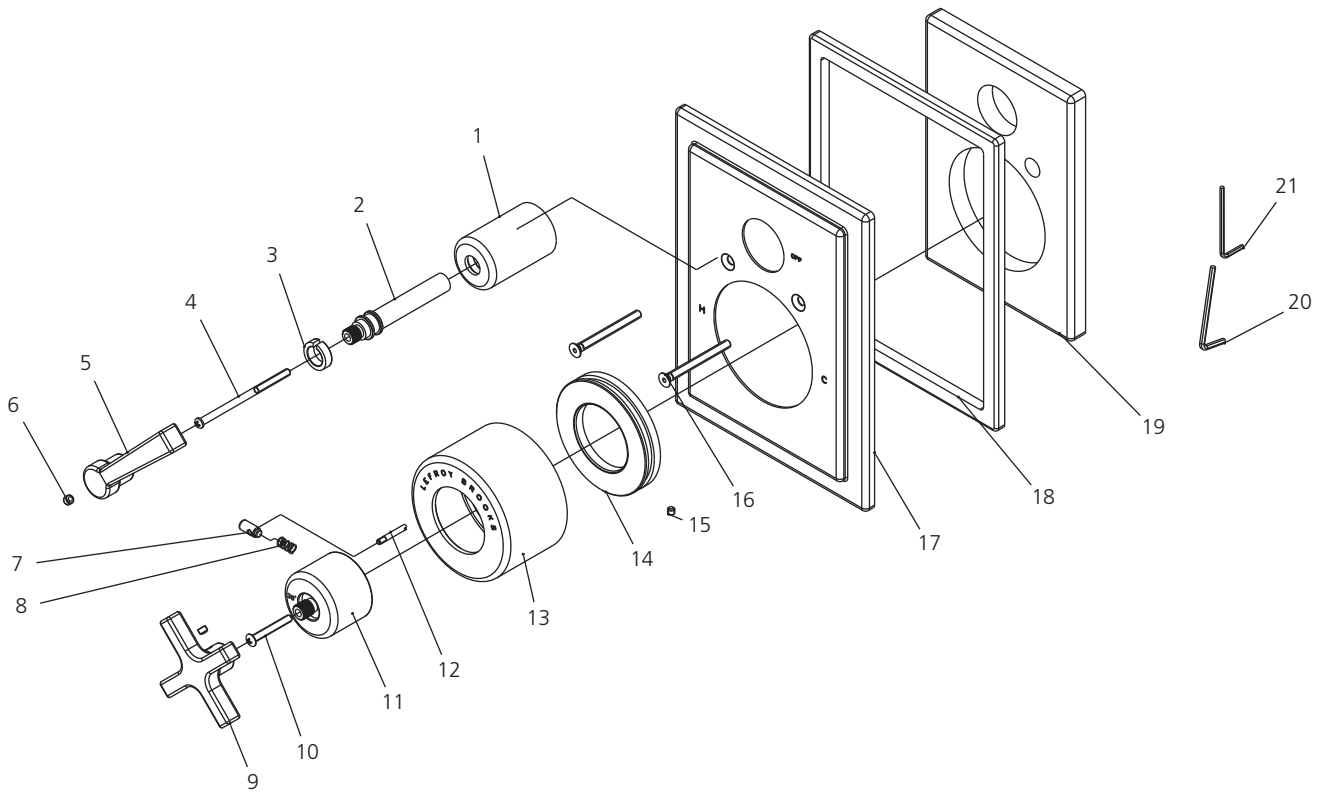
COPYRIGHT © LBIP LTD 2012. ALL RIGHTS RESERVED.

DIMENSIONS IN INCHES & MILLIMETRES

WHILST EVERY EFFORT IS MADE TO ENSURE THE ACCURACY OF THESE DATA SHEETS THEY ARE SUBJECT TO CHANGE WITHOUT NOTICE AS PART OF THE COMPANY'S PRODUCT DEVELOPMENT PROCESS

M1-4402

CROSS HANDLE THERMOSTATIC WITH LEVER FLOW CONTROL TRIM ONLY, TO SUIT M1-4201 ROUGH



1	Canopy (018960)	12	Pin (003147)
2	Stem extension (110386)	13	Canopy (018959-50)
3	Clip (012242)	14	Adjusting ring (104295)
4	Screw (008196)	15	Set screw (065086)
5	Handle (029686)	16	Screw (008186)
6	Set screw (292598)	17	Front plate (006584-52)
7	Limit button (036272)	18	Oil seal (010940)
8	Spring (005157)	19	Spacer (013816)
9	Handle (029685)	20	Allen key (031000)
10	Screw (008994)	21	Allen key (031003)
11	Adaptor (067960-50)		

Standards

IAPMO/cUPC Listed
Meets A112.18.1

Please note :

Final achievable flow rate is dependent on the outlets fitted, see relevant outlets (spouts, roses, sprays) for fully assembled product flow rate.