



# LEFROY BROOKS

1 8 2 8 T R O U T M A N S T R E E T  
R I D G E W O O D N E W Y O R K N Y 1 1 3 8 5 U S A  
T: +1(718) 302 5292 F: +1(718) 302 4177

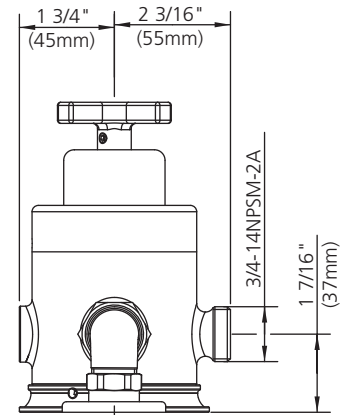
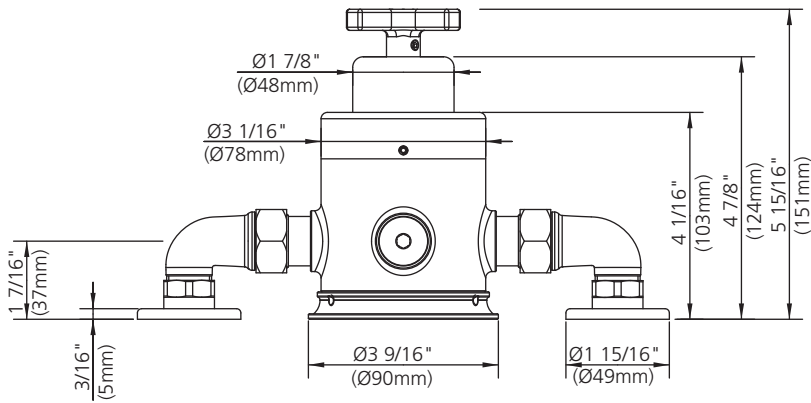
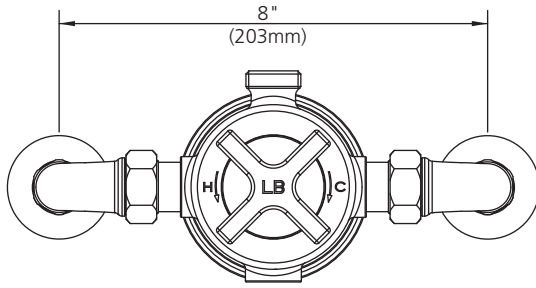
## M1-4012

EXPOSED PRESSURE BALANCE MIXING VALVE

### DIMENSIONAL DATA SHEET

DATE: 13 January 2012

No: A66F509



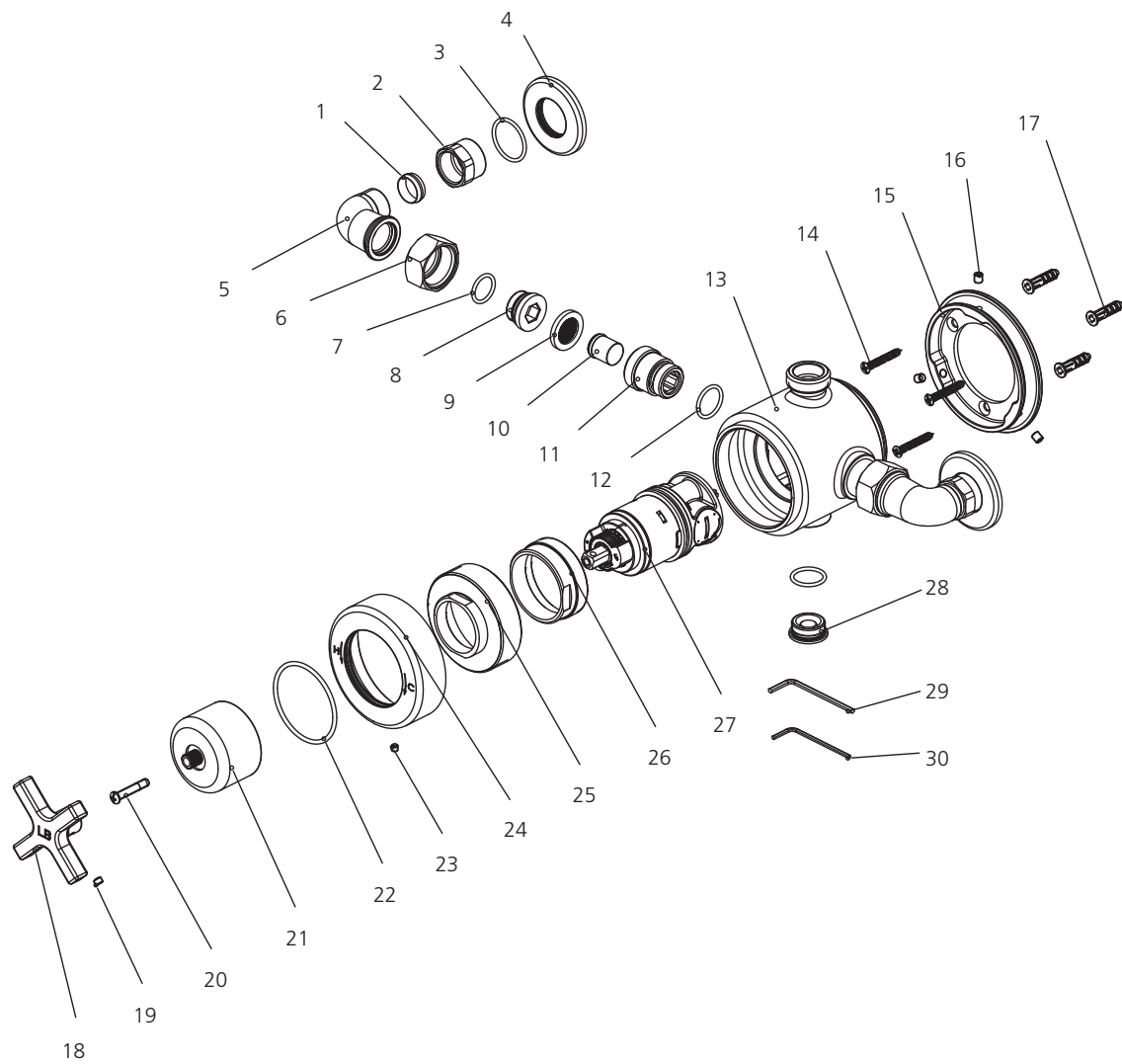
©COPYRIGHT 2009, CHRISTO LEFROY BROOKS. ALL RIGHTS RESERVED.

DIMENSIONS IN INCHES & MILLIMETRES

WHILST EVERY EFFORT IS MADE TO ENSURE THE ACCURACY OF THESE DATA SHEETS THEY ARE SUBJECT TO CHANGE WITHOUT NOTICE AS PART OF THE COMPANY'S PRODUCT DEVELOPMENT PROCESS

# M1-4012

EXPOSED PRESSURE BALANCE MIXING VALVE

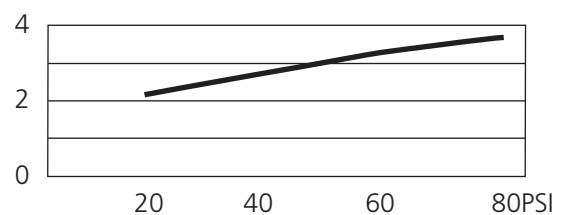


1	Compression olive (101161)	11	Adaptor (067568-T)	21	Canopy (018319-50)
2	Nut (009328)	12	O-ring (004074N)	22	O-ring (004623R)
3	O-ring (004535N)	13	Body (002912)	23	Set screw (065086)
4	Escutcheon (019349)	14	Screw (008731)	24	Canopy (018320-50)
5	Elbow (067567)	15	Wall bracket (071488)	25	Adjusting ring (104208)
6	Nut (009078)	16	Hex socket set screw (008003)	26	Sleeve (041070)
7	O-ring (004043N)	17	Allen key (291001)	27	Cartridge (507655)
8	Adaptor (021008)	18	Handle (029685-51)	28	Plug (028527)
9	Strainer (058091)	19	Set screw (292598)	29	Allen key (031000)
10	Check valve (519230)	20	Screw (008517)	30	Allen key (031003)

## Standards

IAPMO/cUPC Listed  
Meets A112.18.1  
Meets ASSE 1016

## Flow Rate



Please note :

Final achievable flow rate is dependent on the outlets fitted, see relevant outlets (spouts, roses, sprays) for fully assembled product flow rate.