



LEFROY BROOKS

1 8 2 8 T R O U T M A N S T R E E T
R I D G E W O O D N E W Y O R K N Y 1 1 3 8 5 U S A
T : + 1 (7 1 8) 3 0 2 5 2 9 2 F : + 1 (7 1 8) 3 0 2 4 1 7 7

M1-2208

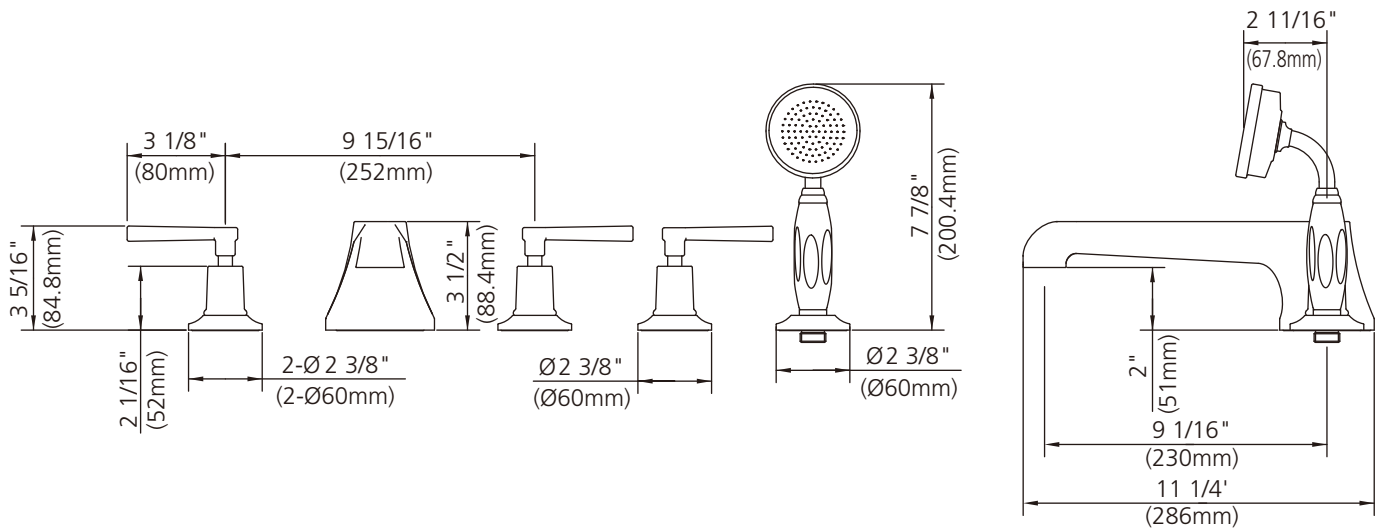
LEVER 5-HOLE BATH SET & PULL-OUT WHITE HAND SHOWER WITH
DECK DIVERTER TRIM ONLY, TO SUIT R1-4007 ROUGH

DIMENSIONAL DATA SHEET

DATE: 10 NOVEMBER 2014

No: A66F473-50

COPYRIGHT © LBIP LTD 2012. ALL RIGHTS RESERVED.

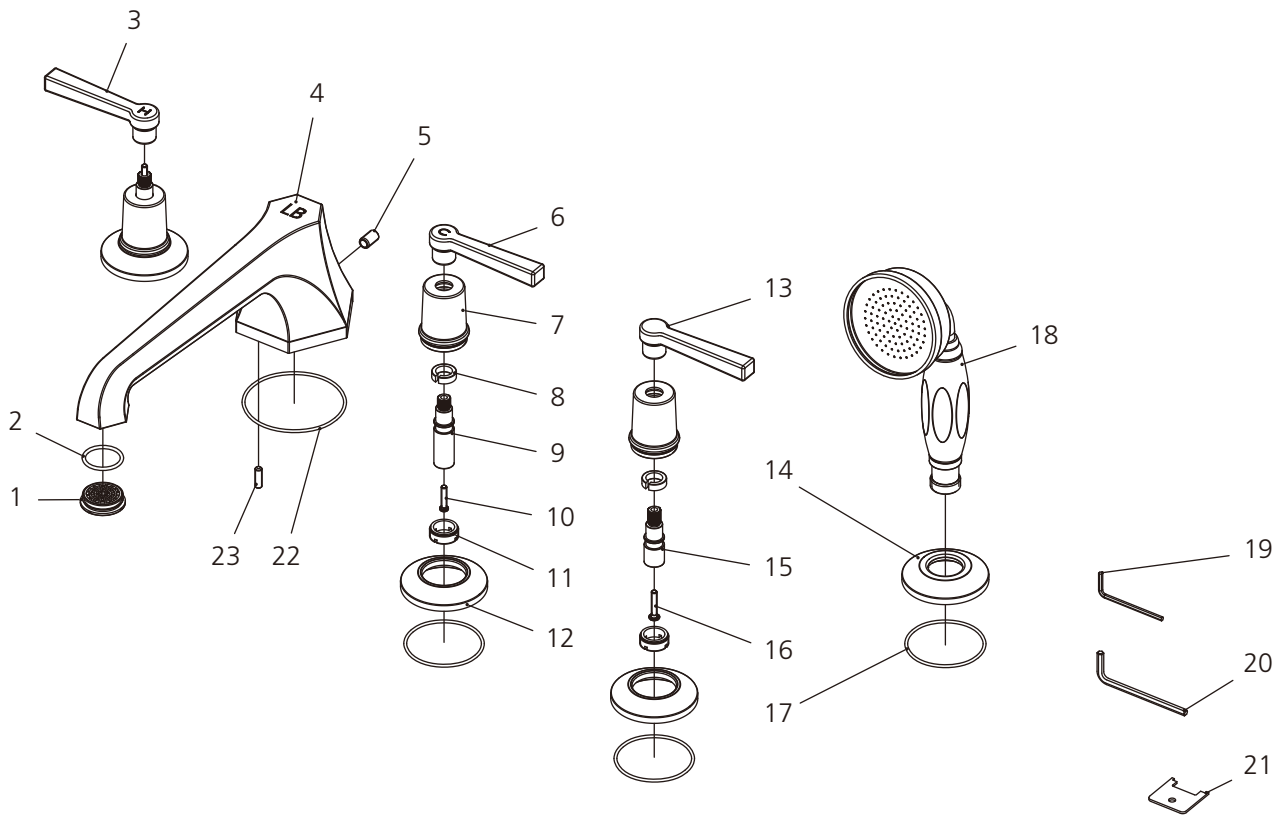


DIMENSIONS IN INCHES & MILLIMETRES

WHILST EVERY EFFORT IS MADE TO ENSURE THE ACCURACY OF THESE DATA SHEETS THEY ARE SUBJECT TO CHANGE WITHOUT NOTICE AS PART OF THE COMPANY'S PRODUCT DEVELOPMENT PROCESS

M1-2208

LEVER 5-HOLE BATH SET & PULL-OUT WHITE HAND SHOWER WITH DECK DIVERTER TRIM ONLY, TO SUIT R1-4007 ROUGH

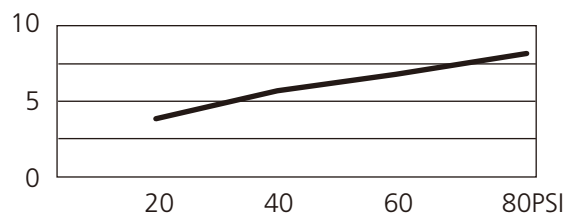


- | | | | | | |
|---|------------------------|----|-------------------------|----|-----------------------------|
| 1 | Aerator (500058) | 9 | Stem extension (110320) | 17 | O-ring (004591) |
| 2 | O-ring (072091) | 10 | Screw (008486) | 18 | Hand shower (S2110309) |
| 3 | Handle (H) (029686H-T) | 11 | Adapter (057507) | 19 | Allen key (031000) |
| 4 | Spout (118553-50) | 12 | Escutcheon (215478) | 20 | Allen key (031011) |
| 5 | Screw (065027) | 13 | Diverter (029686-T) | 21 | Wrench for aerator (031214) |
| 6 | Handle (C) (029686C-T) | 14 | Escutcheon (071433) | 22 | O-ring (072013) |
| 7 | Canopy (018209) | 15 | Adapter (067196-T) | 23 | Set screw (292540) |
| 8 | Clip (012242) | 16 | Screw (008487) | | |

Standards

IAPMO/cUPC Listed
Meets A112.18.1

Flow Rate



Please note :

Final achievable flow rate is dependent on the outlets fitted, see relevant outlets (spouts, roses, sprays) for fully assembled product flow rate.