



# LEFROY BROOKS

1 8 2 8 T R O U T M A N S T R E E T  
R I D G E W O O D N E W Y O R K N Y 1 1 3 8 5 U S A  
T: +1(718) 302 5292 F: +1(718) 302 4177

## M1-2150 (MH1250)

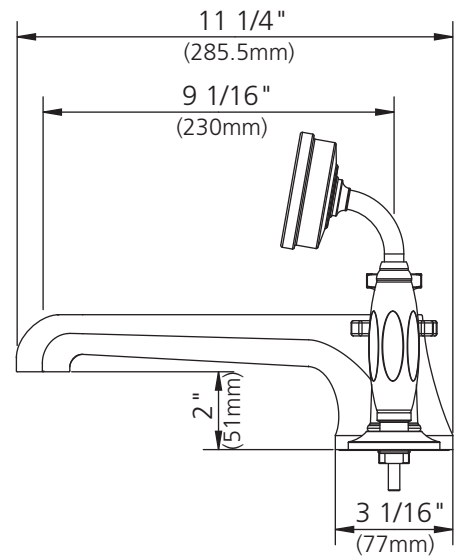
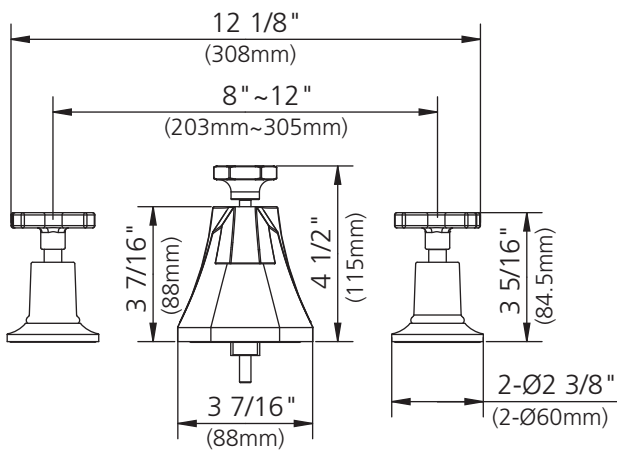
CROSS HANDLE 4-HOLE BATH SET WITH DIVERTER & PULL-OUT  
BLACK HAND SHOWER TRIM ONLY, TO SUIT R1-4024 ROUGH

### DIMENSIONAL DATA SHEET

DATE: 20 February 2012

No: A66F535

©COPYRIGHT 2009. CHRISTO LEFROY BROOKS. ALL RIGHTS RESERVED.

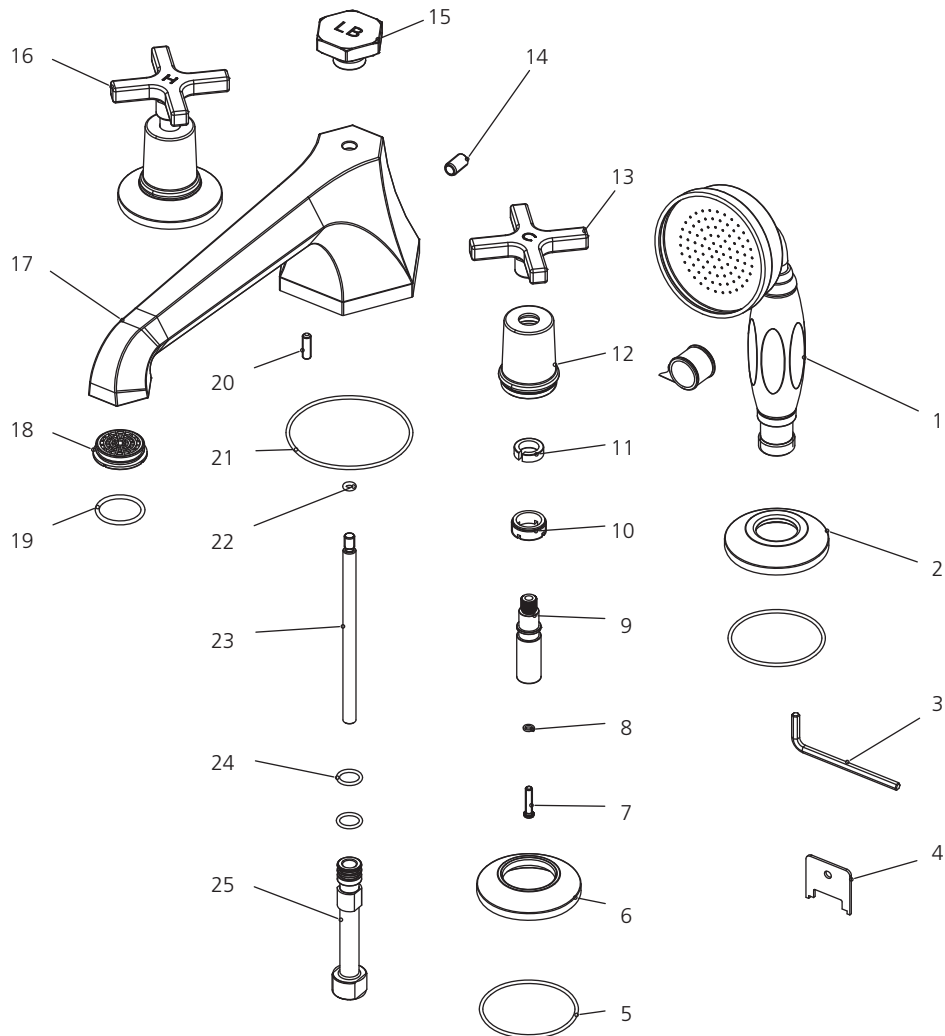


DIMENSIONS IN INCHES & MILLIMETRES

WHILST EVERY EFFORT IS MADE TO ENSURE THE ACCURACY OF THESE DATA SHEETS THEY ARE SUBJECT TO CHANGE WITHOUT NOTICE AS PART OF THE COMPANY'S PRODUCT DEVELOPMENT PROCESS

# M1-2150 (MH1250)

CROSS HANDLE 4-HOLE BATH SET WITH DIVERTER & PULL-OUT BLACK HAND SHOWER TRIM ONLY, TO SUIT R1-4024 ROUGH



- |   |                         |    |                           |    |                       |
|---|-------------------------|----|---------------------------|----|-----------------------|
| 1 | Hand shower (S2110309)  | 10 | Adaptor (057507)          | 19 | O-ring (072091)       |
| 2 | Escutcheon (071433)     | 11 | Clip (012242)             | 20 | Set screw (292540)    |
| 3 | Allen key (031011)      | 12 | Canopy (018209)           | 21 | O-ring (072013)       |
| 4 | Wrench (031214)         | 13 | Handle ( C ) (029685C-T)  | 22 | O-ring (004546N)      |
| 5 | O-ring (004640N)        | 14 | Screw (065027)            | 23 | Diverter rod (125138) |
| 6 | Escutcheon (215478)     | 15 | Diverter knob (124016-50) | 24 | O-ring (004079N)      |
| 7 | Screw (008486)          | 16 | Handle ( H ) (029685H)    | 25 | Adaptor (057929)      |
| 8 | Washer (031570)         | 17 | Spout (100002)            |    |                       |
| 9 | Stem extension (110320) | 18 | Aerator (500058)          |    |                       |

## Standards

IAPMO/cUPC Listed  
Meets A112.18.1