



**LEFROY BROOKS**

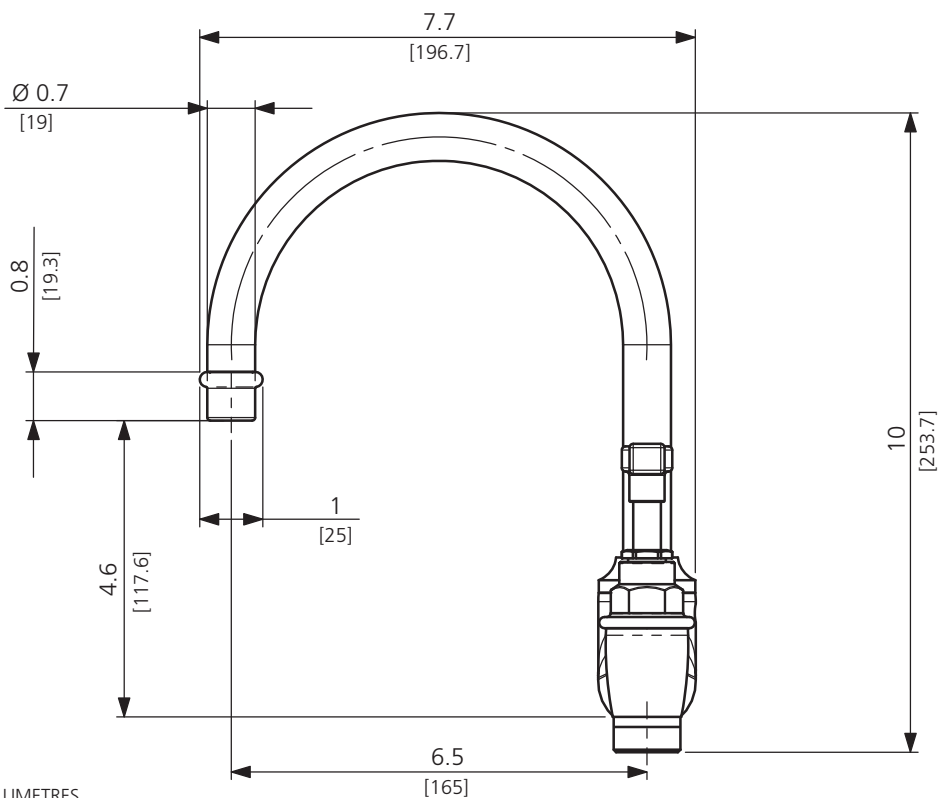
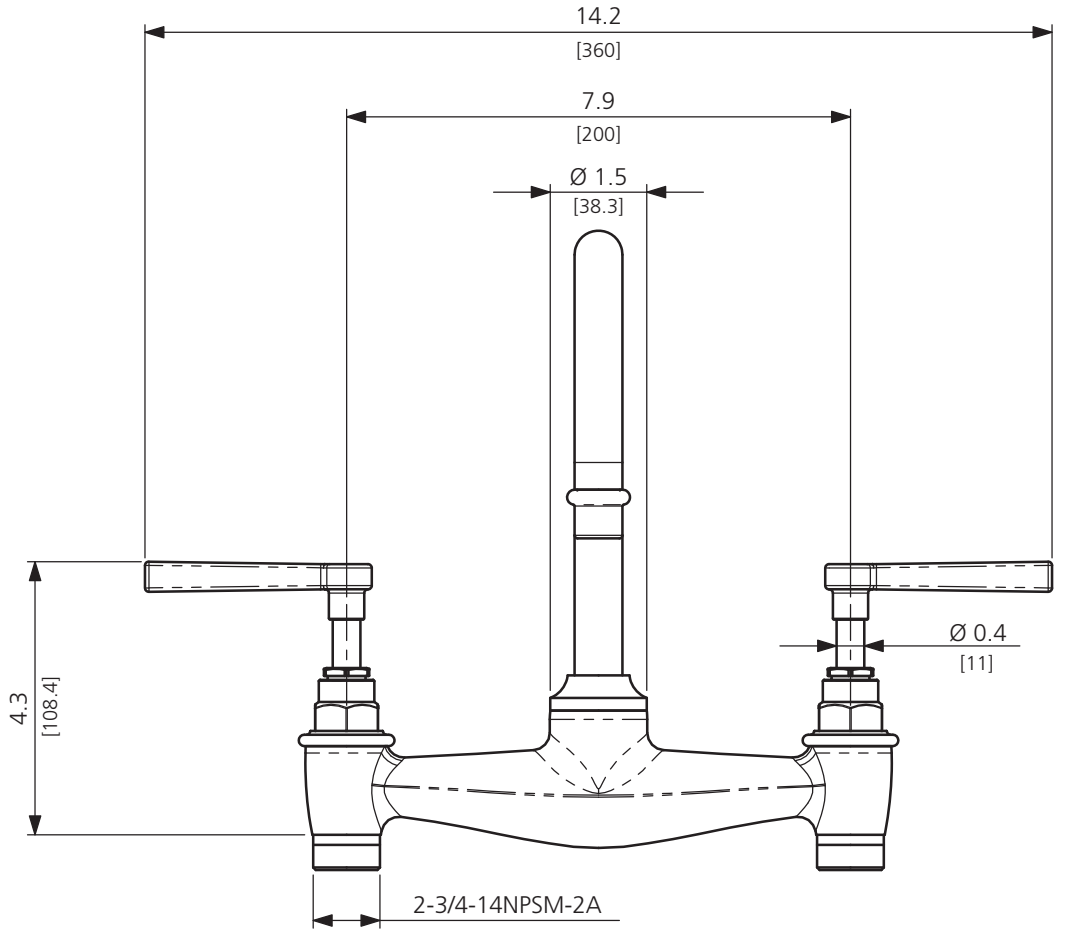
1 8 2 8 T R O U T M A N S T R E E T  
R I D G E W O O D N E W Y O R K N Y 1 1 3 8 5 U S A  
T : + 1 ( 7 1 8 ) 3 0 2 5 2 9 2 F : + 1 ( 7 1 8 ) 3 0 2 4 1 7 7

**M1-1124**

LEVER BASIN BRIDGE MIXER WITH 6 1/2" SPOUT.

**DIMENSIONAL DATA SHEET**

DATE: 8th May 2014



DIMENSIONS IN INCHES & MILLIMETRES

COPYRIGHT © LBIP LTD 2014. ALL RIGHTS RESERVED