



LEFROY BROOKS

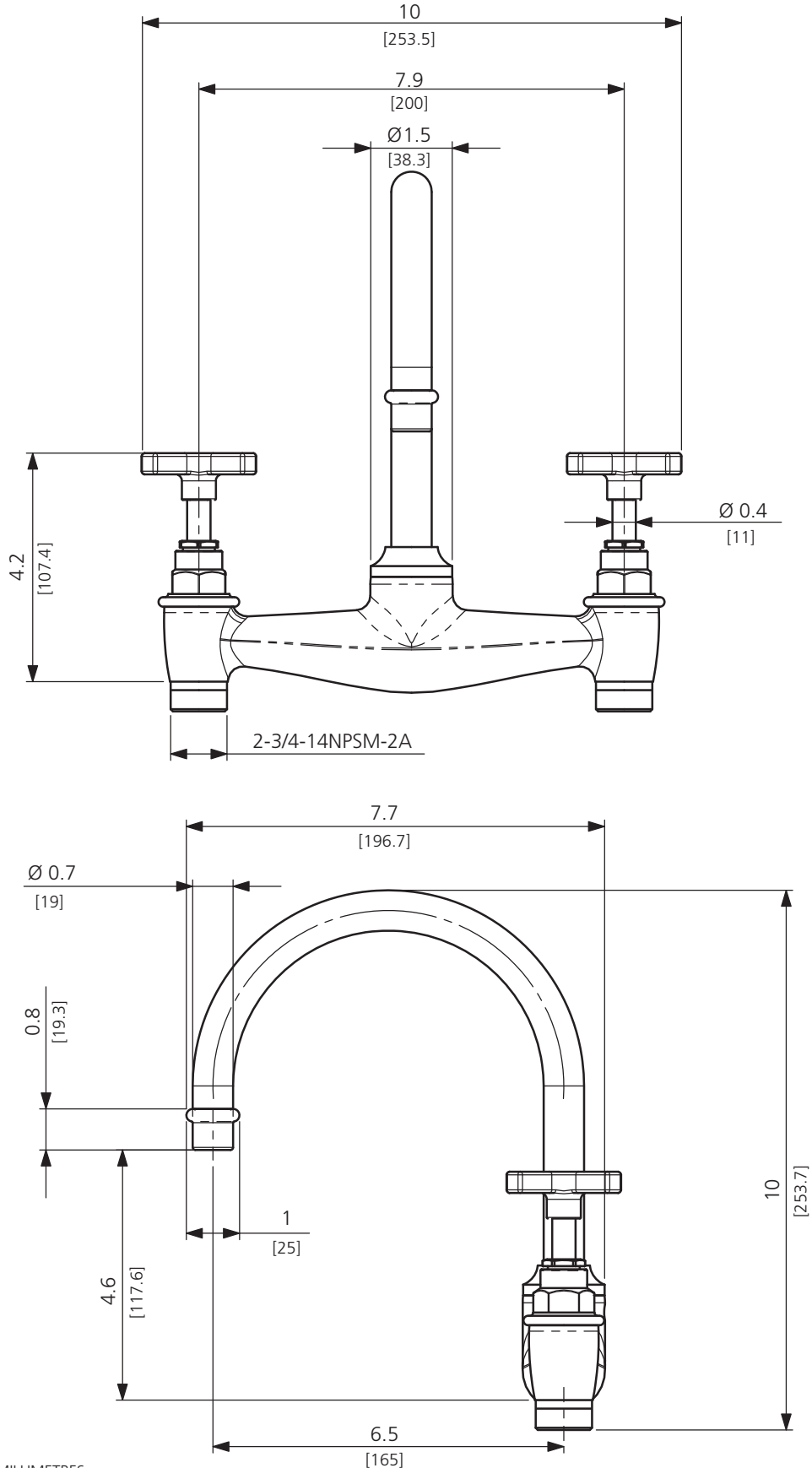
1 8 2 8 T R O U T M A N S T R E E T
R I D G E W O O D N E W Y O R K N Y 1 1 3 8 5 U S A
T : + 1 (7 1 8) 3 0 2 5 2 9 2 F : + 1 (7 1 8) 3 0 2 4 1 7 7

M1-1123

CROSS HANDLE BASIN BRIDGE MIXER WITH 6 1/2" SPOUT

DIMENSIONAL DATA SHEET

DATE: 8th May 2014



COPYRIGHT © LBIP LTD 2014. ALL RIGHTS RESERVED

DIMENSIONS IN INCHES & MILLIMETRES

WHILST EVERY EFFORT IS MADE TO ENSURE THE ACCURACY OF THESE DATA SHEETS THEY ARE SUBJECT TO CHANGE WITHOUT NOTICE AS PART OF THE COMPANY'S PRODUCT DEVELOPMENT PROCESS