



LEFROY BROOKS

1 8 2 8 T R O U T M A N S T R E E T
R I D G E W O O D N E W Y O R K N Y 1 1 3 8 5 U S A
T : + 1 (7 1 8) 3 0 2 5 2 9 2 F : + 1 (7 1 8) 3 0 2 4 1 7 7

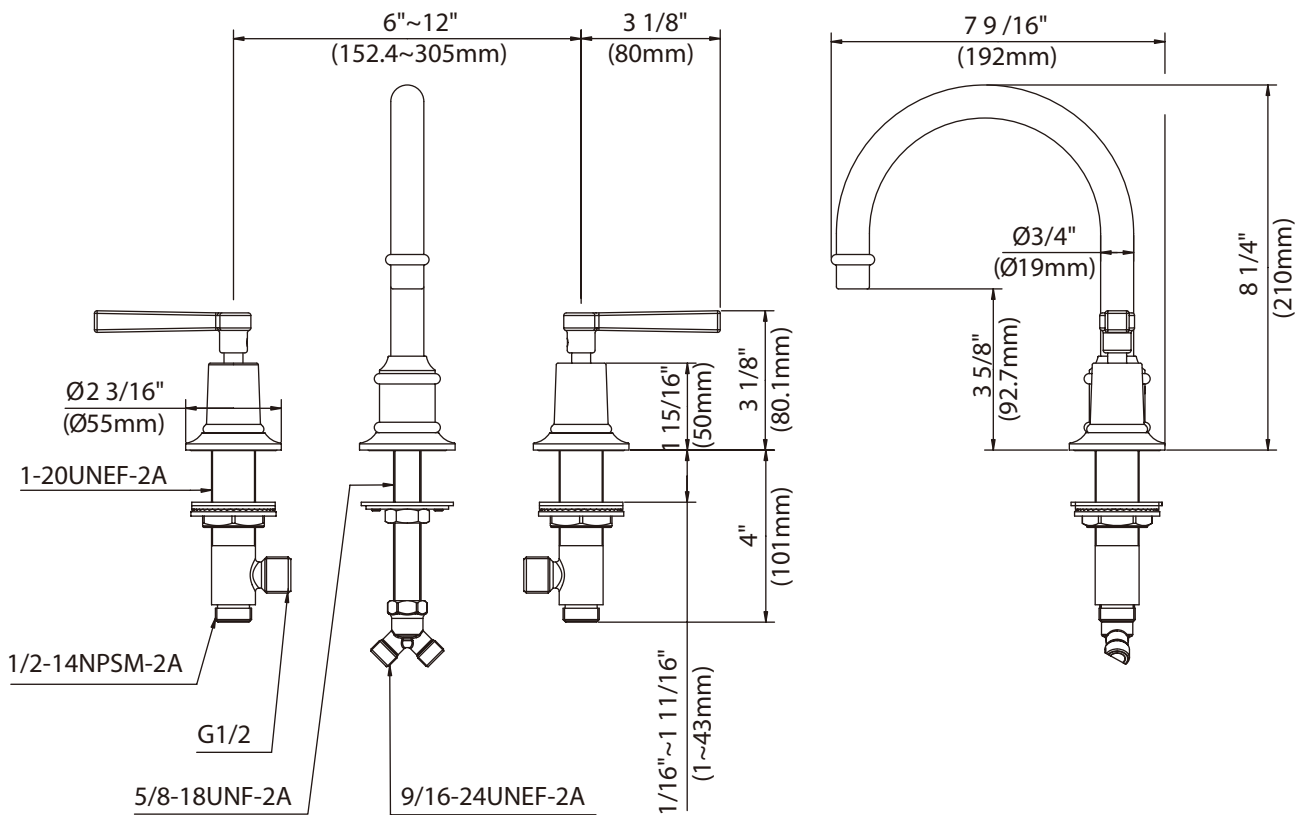
M1-1121 (ML1230)

LEVER TUBULAR 3-HOLE BASIN MIXER

DIMENSIONAL DATA SHEET

DATE: 13 March 2013

No: FW1C4001



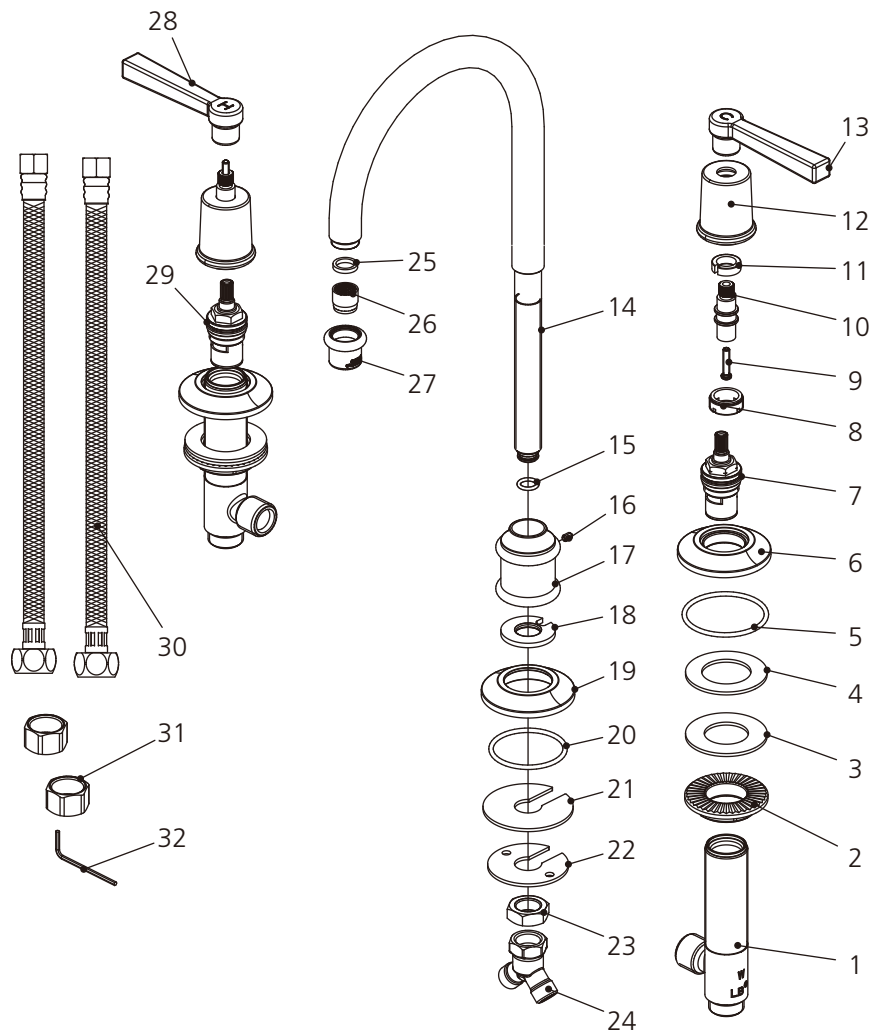
COPYRIGHT © LBIP LTD 2012. ALL RIGHTS RESERVED.

DIMENSIONS IN INCHES & MILLIMETRES

WHILST EVERY EFFORT IS MADE TO ENSURE THE ACCURACY OF THESE DATA SHEETS THEY ARE SUBJECT TO CHANGE WITHOUT NOTICE AS PART OF THE COMPANY'S PRODUCT DEVELOPMENT PROCESS

M1-1121 (ML1230)

LEVER TUBULAR 3-HOLE BASIN MIXER

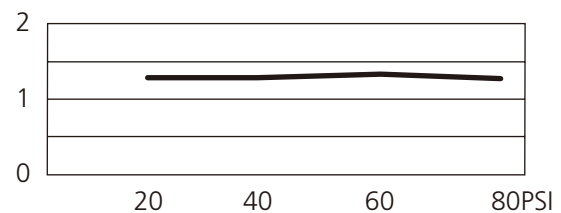


1	Body (061893W)	12	Canopy (018295)	24	Connector (015004W)
2	Nut (009834)	13	Handle (C) (029686C-T)	25	Oil-seal (010519N)
3	Washer (013158)	14	Spout assembly (139870W)	26	Aerator insert (553661N)
4	Oil-seal (010017)	15	O-ring (004026N)	27	Aerator housing (305849N-54)
5	O-ring (004617)	16	Set screw (292562)	28	Handle (H) (029686H-T)
6	Escutcheon (071473)	17	Canopy (000085)	29	Cartridge assembly (CH) (507175W)
7	Cartridge assembly (C) (507176W)	18	Washer (013797)	30	Flexible hose (105750W)
8	Adaptor (057507)	19	Escutcheon (071326)	31	Alternative nuts (504003)
9	Screw (008486)	20	O-ring (004072N)	32	Allen key (031003)
10	Stem extension (110409)	21	Oil-seal (058094)		
11	Clip (012242)	22	Washer (013006)		
		23	Nut (009015)		

Standards

IAPMO/cUPC Listed
 Meets NSF 61-9
 Meets A112.18.1
 ADA Compliant

Flow Rate



Please note :

Final achievable flow rate is dependent on the outlets fitted, see relevant outlets (spouts, roses, sprays) for fully assembled product flow rate.