



LEFROY BROOKS

1 8 2 8 T R O U T M A N S T R E E T
R I D G E W O O D N E W Y O R K N Y 1 1 3 8 5 U S A
T: +1(718) 302 5292 F: +1(718) 302 4177

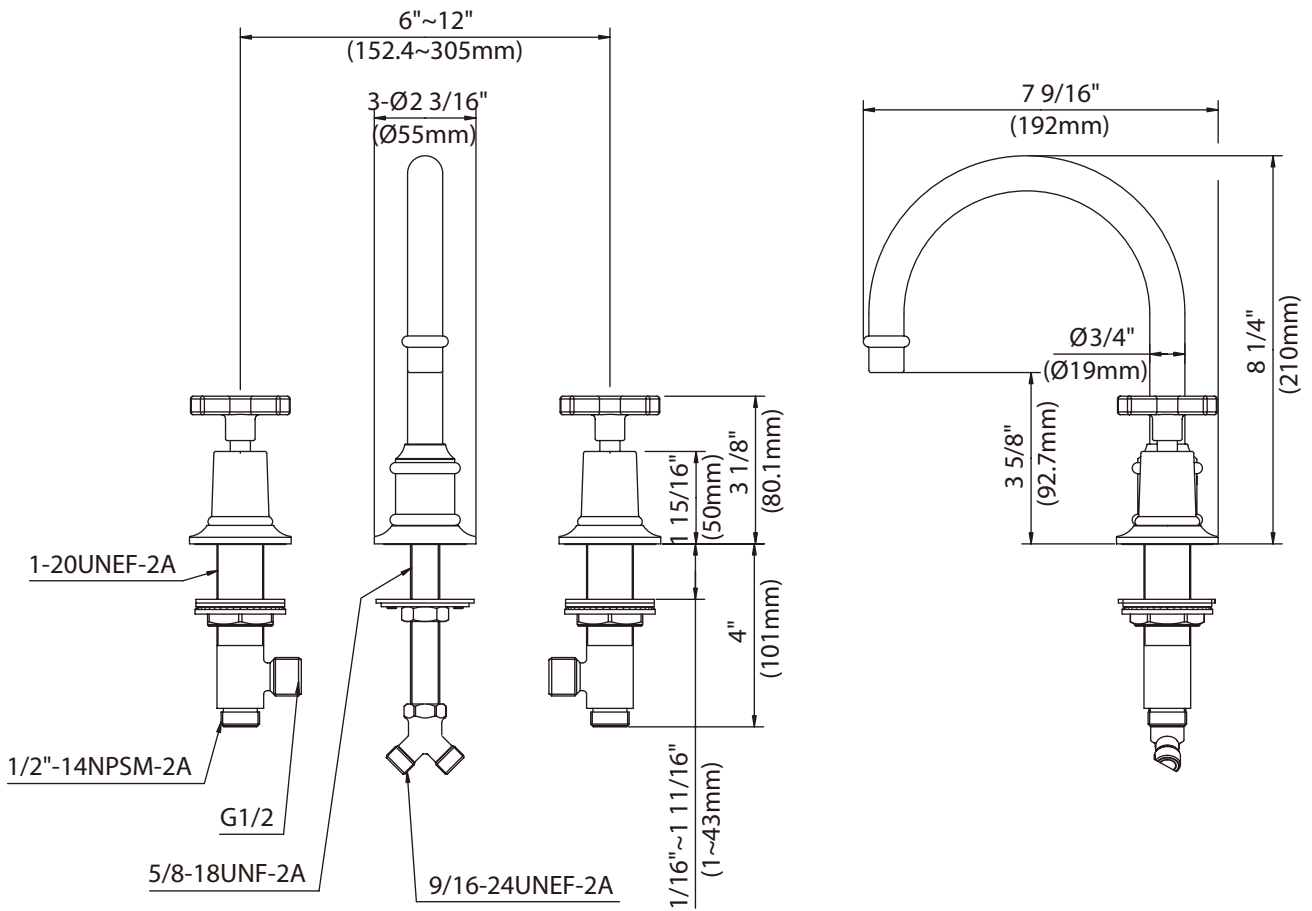
M1-1120 (MH1230)

CROSS HANDLE TUBULAR 3-HOLE BASIN MIXER

DIMENSIONAL DATA SHEET

DATE: 13 March 2013

No: FW1CC002



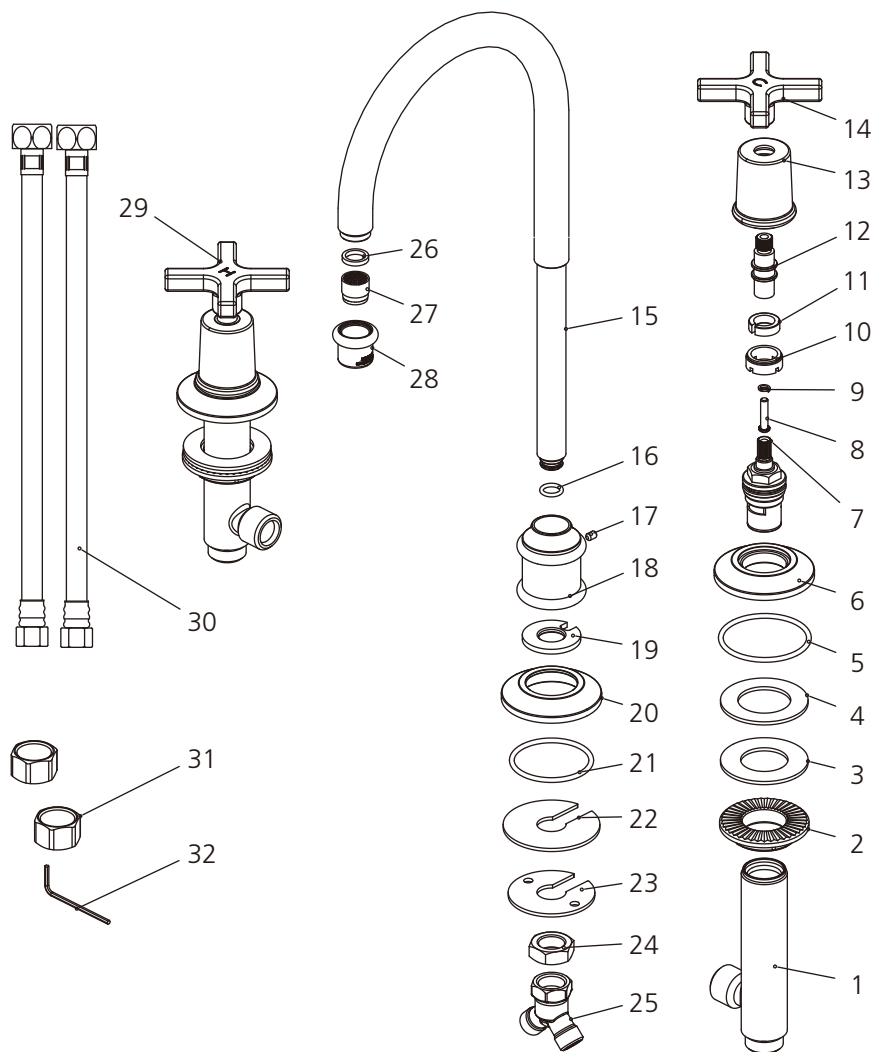
COPYRIGHT © LBIP LTD 2012. ALL RIGHTS RESERVED.

DIMENSIONS IN INCHES & MILLIMETRES

WHILST EVERY EFFORT IS MADE TO ENSURE THE ACCURACY OF THESE DATA SHEETS THEY ARE SUBJECT TO CHANGE WITHOUT NOTICE AS PART OF THE COMPANY'S PRODUCT DEVELOPMENT PROCESS

M1-1120 (MH1230)

CROSS HANDLE TUBULAR 3-HOLE BASIN MIXER

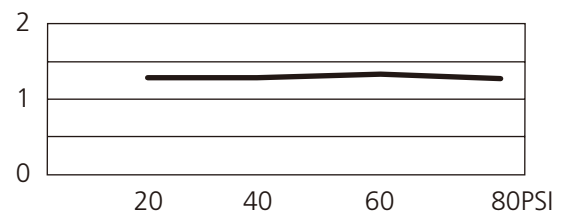


1	Body (061893W)	12	Stem extension (110409)	23	Washer (013006)
2	Nut (009834)	13	Canopy (018295)	24	Nut (009015)
3	Washer (013158)	14	Handle (C) (029685C-T)	25	Connector (015004W)
4	Oil-seal (010017)	15	Spout assembly (139870W)	26	Oil-seal (010519N)
5	O-ring (004617)	16	O-ring (004026N)	27	Aerator insert (553661N)
6	Escutcheon (071473)	17	Set screw (292562)	28	Aerator housing (305849N-54)
7	Cartridge assembly (507907W)	18	Canopy (000085)	29	Handle (H) (029685H-T)
8	Screw (008486)	19	Washer (013797)	30	Flexible hose (105750W)
9	Washer (013570)	20	Escutcheon (071326)	31	Alternative nuts (504003)
10	Adaptor (057507)	21	O-ring (004072N)	32	Allen key (031003)
11	Clip (012242)	22	Oil-seal (058094)		

Standards

IAPMO/cUPC Listed
Meets NSF 61-9
Meets A112.18.1

Flow Rate



Please note :

Final achievable flow rate is dependent on the outlets fitted, see relevant outlets (spouts, roses, sprays) for fully assembled product flow rate.