



LEFROY BROOKS

1 8 2 8 T R O U T M A N S T R E E T
R I D G E W O O D N E W Y O R K N Y 1 1 3 8 5 U S A
T: +1(718) 302 5292 F: +1(718) 302 4177

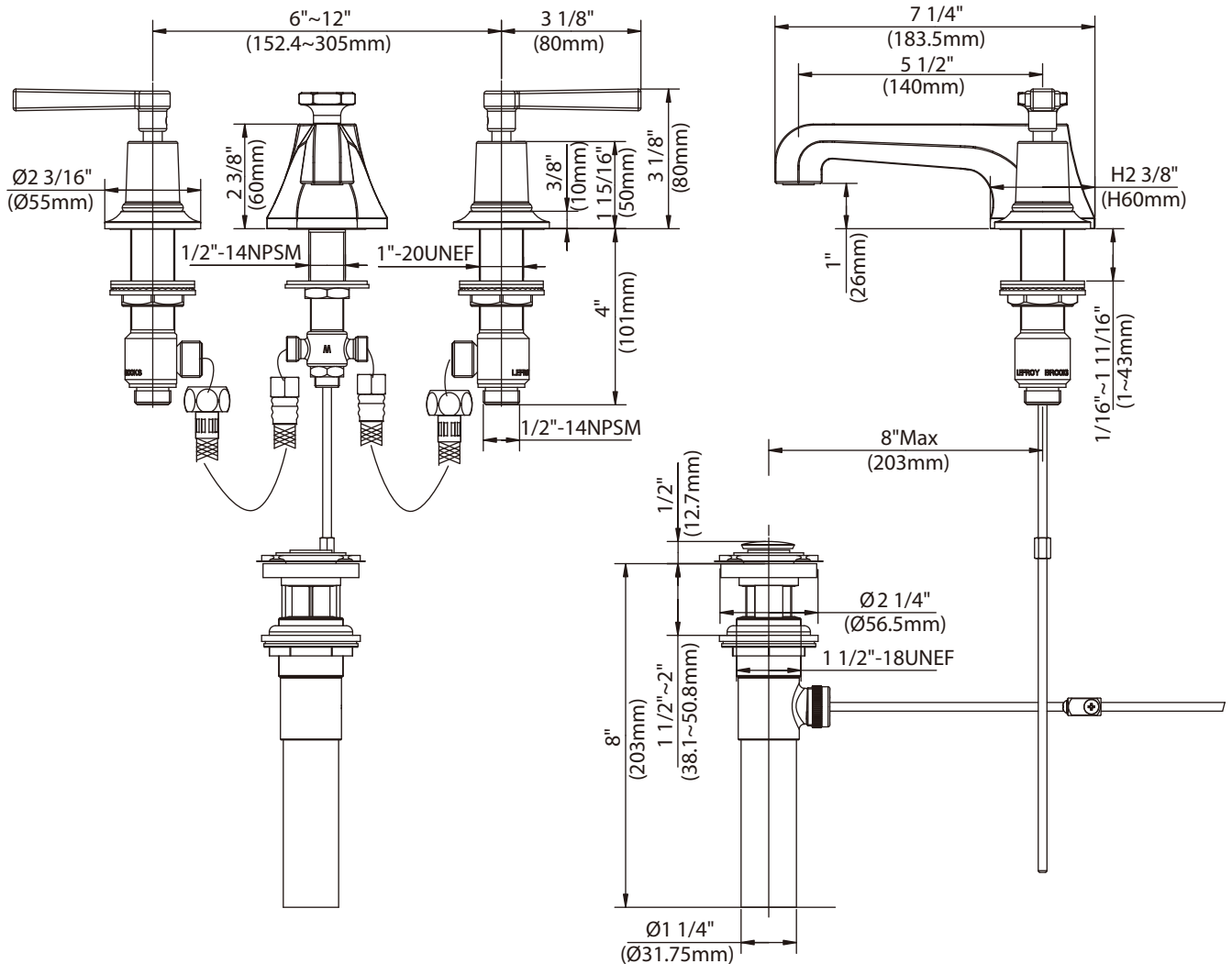
M1-1101 (ML 1228)

LEVER 3-HOLE BASIN MIXER WITH P.U.W.

DIMENSIONAL DATA SHEET

DATE: 18 March 2013

No: FW2B4108



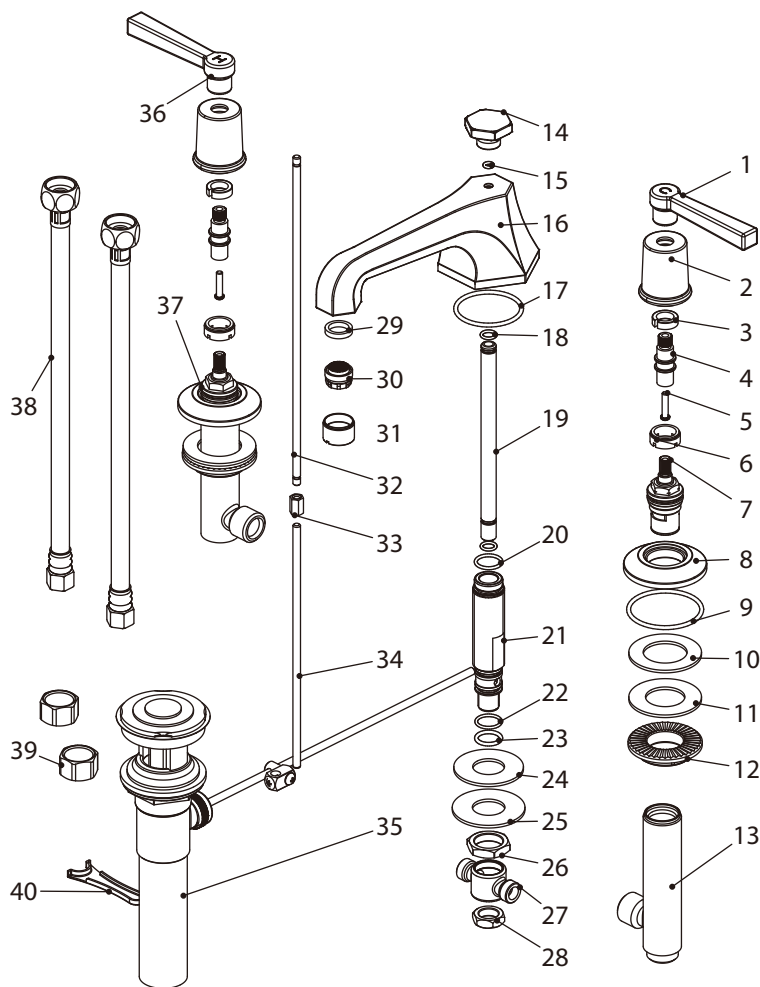
COPYRIGHT © LBIP LTD 2012. ALL RIGHTS RESERVED.

DIMENSIONS IN INCHES & MILLIMETRES

WHILST EVERY EFFORT IS MADE TO ENSURE THE ACCURACY OF THESE DATA SHEETS THEY ARE SUBJECT TO CHANGE WITHOUT NOTICE AS PART OF THE COMPANY'S PRODUCT DEVELOPMENT PROCESS

M1-1101 (ML 1228)

LEVER 3-HOLE BASIN MIXER WITH P.U.W.

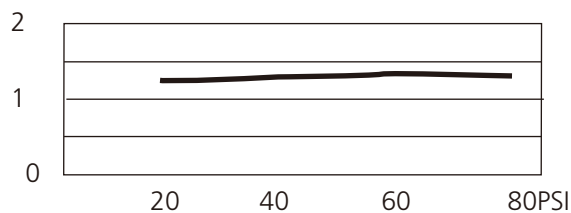


1	Handle (C) (029686C-T)	14	Pop-up knob (124386)	28	Nut (009002)
2	Canopy (018295)	15	O-ring (048027N)	29	Oil-seal (010095N)
3	Clip (012242)	16	Spout (002252W)	30	Aerator insert (553648N)
4	Stem extension (110409)	17	O-ring (004072N)	31	Aerator housing (305800N-50)
5	Screw (008486)	18	O-ring (004001N)	32	Pop-up rod (125412)
6	Adaptor (057507)	19	Brass tube (043412N)	33	Connector (077125)
7	Cartridge assembly (C) (507176W)	20	O-ring (004043N)	34	Pop-up rod (110041)
8	Escutcheon (071473)	21	Connection tube (014016W)	35	Pop-up waste (556781)
9	O-ring (004617)	22	O-ring (004115N)	36	Handle (H) (029686H-T)
10	Oil-seal (010017)	23	O-ring (004005N)	37	Cartridge assembly (H) (507175W)
11	Washer (013158)	24	Washer (060041)	38	Flexible hose (105750W)
12	Nut (009834)	25	Washer (013202)	39	Pipework nuts (504003)
13	Body (061893W)	26	Nut (009009)	40	Spanner (031025)
		27	Connector (015001W)		

Standards

IAPMO/cUPC Listed
Meets NSF 61-9
Meets A112.18.1

Flow Rate



Please note :

Final achievable flow rate is dependent on the outlets fitted, see relevant outlets (spouts, roses, sprays) for fully assembled product flow rate.