



LEFROY BROOKS

1 8 2 8 T R O U T M A N S T R E E T  
R I D G E W O O D N E W Y O R K N Y 1 1 3 8 5 U S A  
T: +1(718) 302 5292 F: +1(718) 302 4177

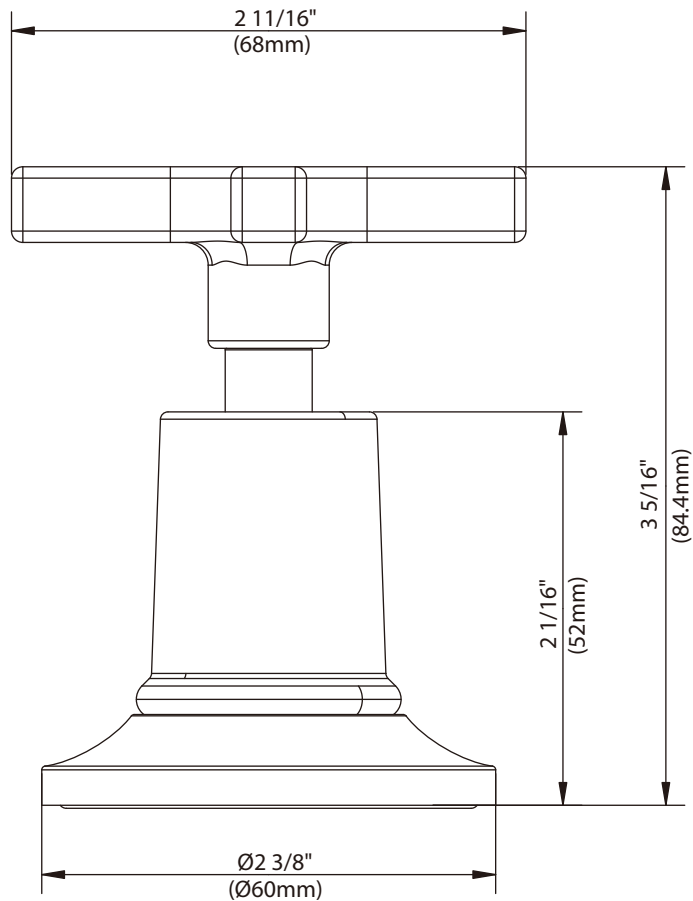
M1-1016

CROSS HANDLE TWO-WAY DECK DIVERter TRIM ONLY,  
TO SUIT R1-4003 ROUGH

DIMENSIONAL DATA SHEET

DATE: 19 August 2013

No: A66F409



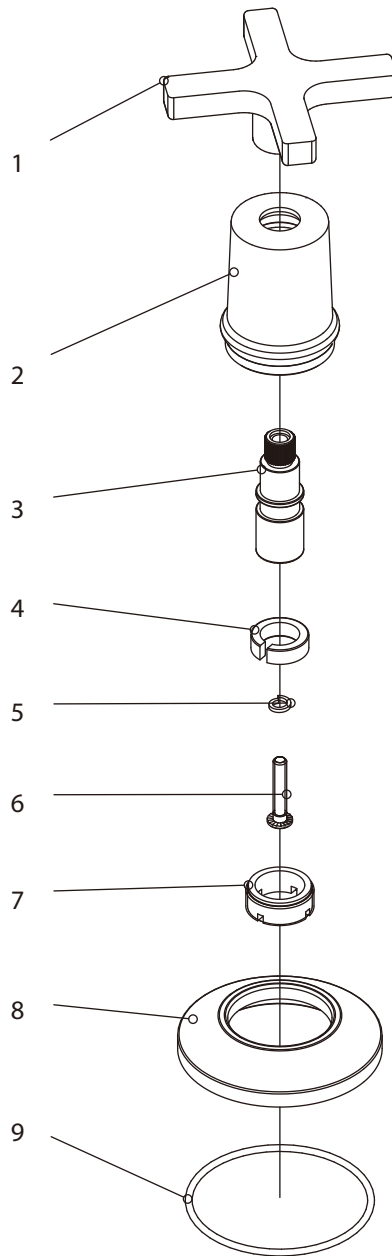
COPYRIGHT © LBIP LTD 2012. ALL RIGHTS RESERVED.

DIMENSIONS IN INCHES & MILLIMETRES

WHILST EVERY EFFORT IS MADE TO ENSURE THE ACCURACY OF THESE DATA SHEETS THEY ARE SUBJECT TO CHANGE WITHOUT NOTICE AS PART OF THE COMPANY'S PRODUCT DEVELOPMENT PROCESS

# M1-1016

CROSS HANDLE TWO-WAY DECK DIVERTER TRIM ONLY,  
TO SUIT R1-4003 ROUGH



- 1 Handle (029685-T)
- 2 Canopy (018209)
- 3 Stem extension (067196-T)

- 4 Clip (012242)
- 5 Washer (013570)
- 6 Screw (008487)

- 7 Adaptor (057507)
- 8 Escutcheon (215478)
- 9 O-ring (004591)

## Standards

IAPMO/cUPC Listed  
Meets A112.18.1

Please note :  
Final achievable flow rate is dependent on the outlets fitted, see relevant outlets (spouts, roses, sprays) for fully assembled product flow rate.