



LEFROY BROOKS

1 8 2 8 T R O U T M A N S T R E E T
R I D G E W O O D N E W Y O R K N Y 1 1 3 8 5 U S A
T: +1(718) 302 5292 F: +1(718) 302 4177

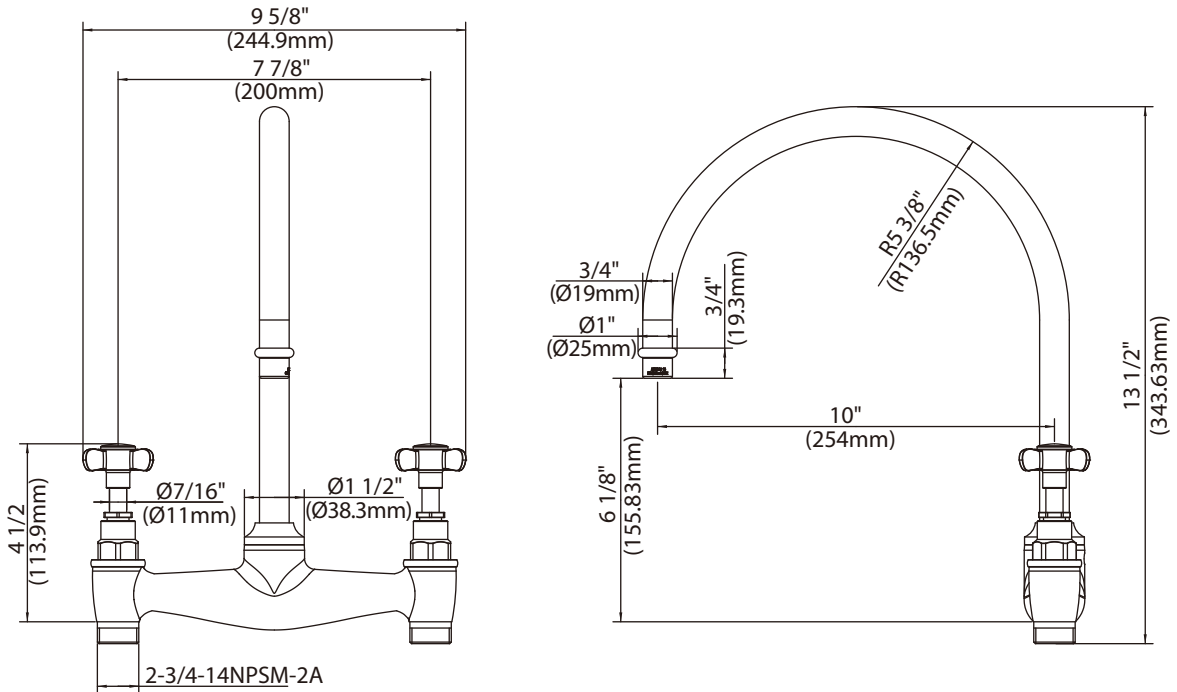
C1-4715 (LB1517)

CROSS HANDLE KITCHEN BRIDGE MIXER

DIMENSIONAL DATA SHEET

DATE: 06 November 2013

No: A66F151W



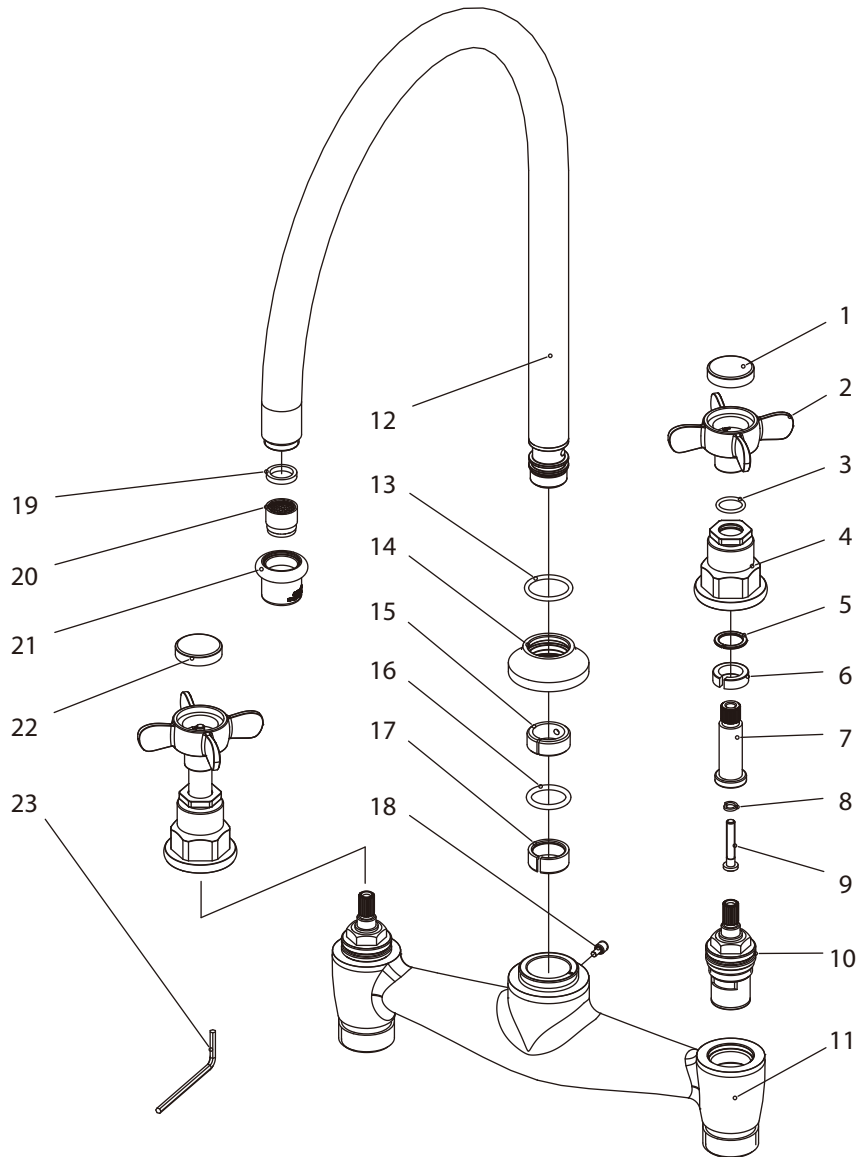
COPYRIGHT © LBIP LTD 2012. ALL RIGHTS RESERVED.

DIMENSIONS IN INCHES & MILLIMETRES

WHILST EVERY EFFORT IS MADE TO ENSURE THE ACCURACY OF THESE DATA SHEETS THEY ARE SUBJECT TO CHANGE WITHOUT NOTICE AS PART OF THE COMPANY'S PRODUCT DEVELOPMENT PROCESS

C1-4715 (LB1517)

CROSS HANDLE KITCHEN BRIDGE MIXER

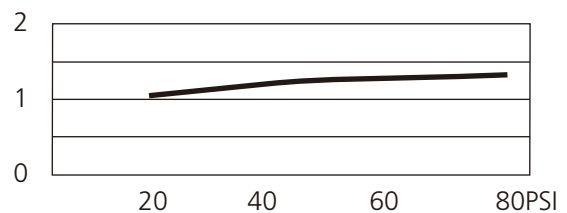


1	129312C (Ceramic indices (C))	9	008670 (Screw)	17	012112N (Clip)
2	029721-T (Handle)	10	507907W (Cartridge)	18	008252 (Screw)
3	048085N (O-ring)	11	002678W (Body)	19	010519N (Oil-seal)
4	018220 (Canopy)	12	139889W (Spout assembly)	20	553661N (Aerator insert)
5	013224 (Washer)	13	063066N (O-ring)	21	305849N-54 (Aerator housing)
6	012242 (Clip)	14	018227 (Adaptor)	22	129312H (Ceramic indices (H))
7	110461 (Stem extension)	15	012060 (Clip)	23	031000 (Allen Key)
8	013570 (Washer)	16	004005N (O-ring)		

Standards

IAPMO/cUPC Listed
Meets NSF 61-9
Meets A112.18.1

Flow Rate



Please note :

Final achievable flow rate is dependent on the outlets fitted, see relevant outlets (spouts, roses, sprays) for fully assembled product flow rate.