



LEFROY BROOKS

1 8 2 8 T R O U T M A N S T R E E T
R I D G E W O O D N E W Y O R K N Y 1 1 3 8 5 U S A
T: +1(718) 302 5292 F: +1(718) 302 4177

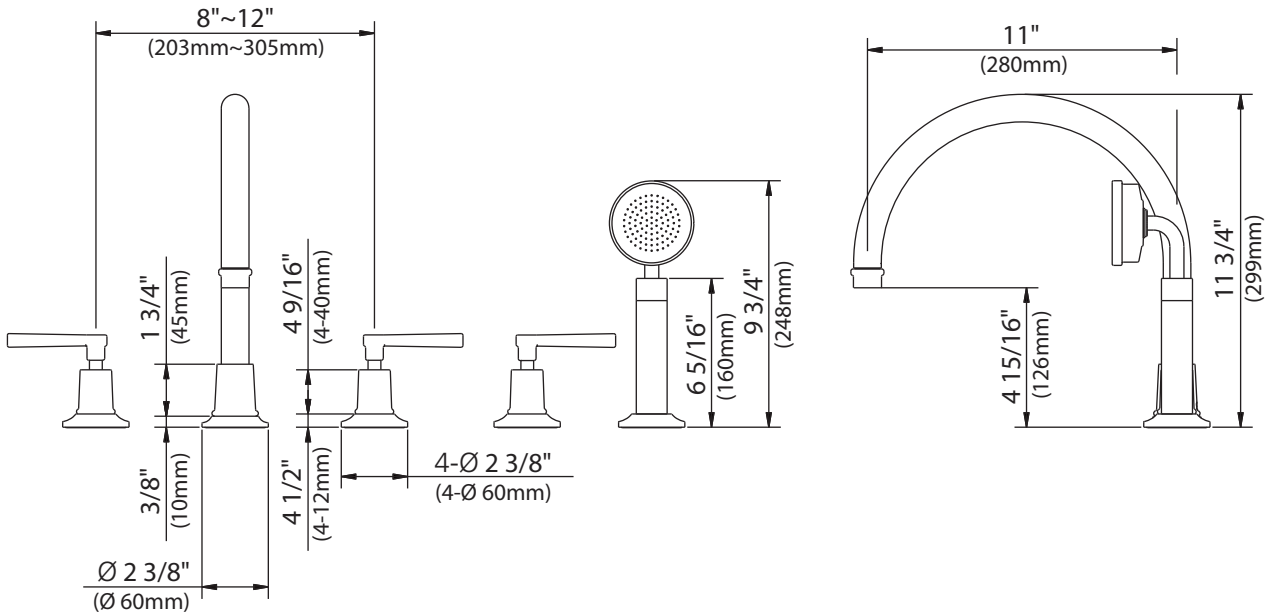
M2-2211

FLEETWOOD LEVER 5-HOLE BATH SET WITH PULL-OUT
METAL-FINISH HAND SHOWER & LEVER DECK DIVERTER
TRIM ONLY, TO SUIT R1-4007 ROUGH

DIMENSIONAL DATA SHEET

DATE: 26 Sep 2011

No: A66F450



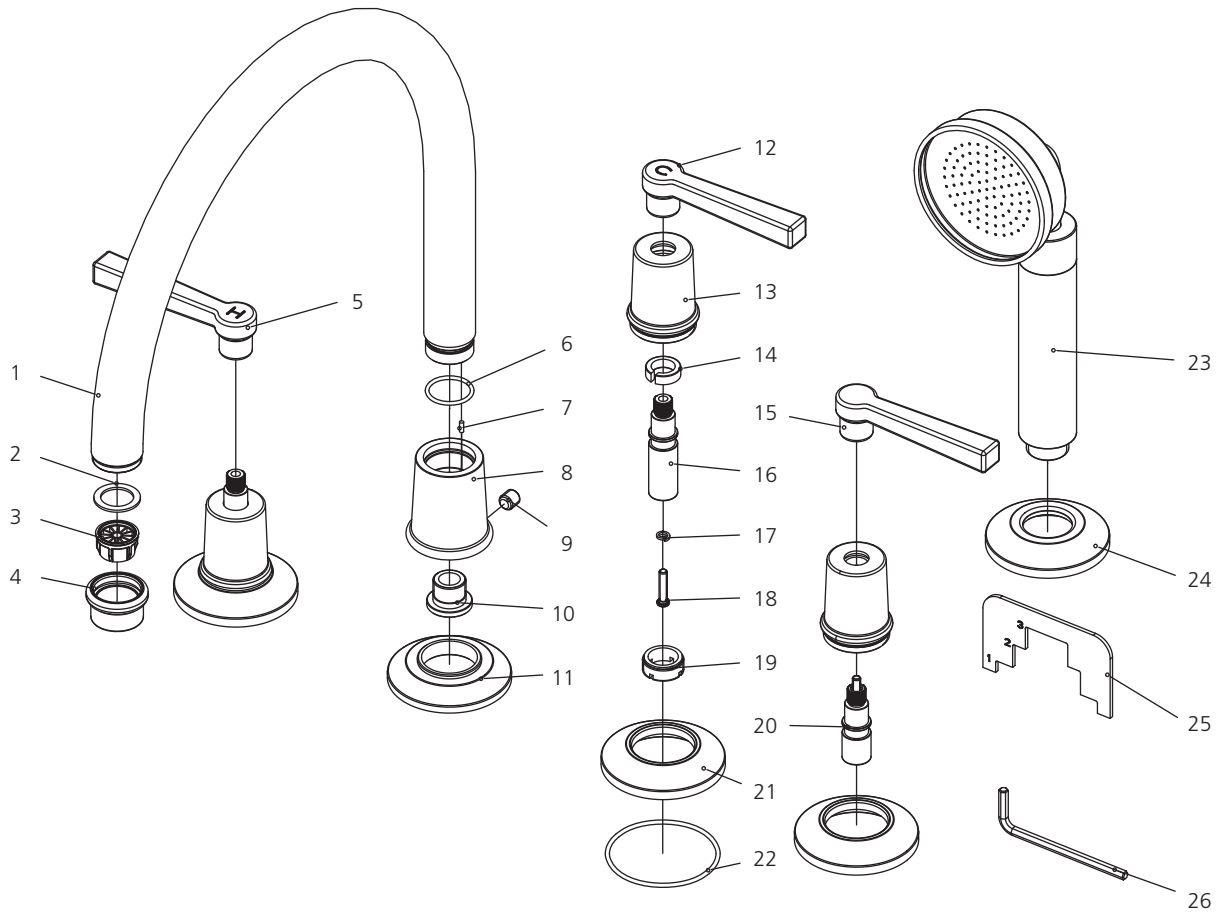
©COPYRIGHT 2009. CHRISTO LEFROY BROOKS. ALL RIGHTS RESERVED.

DIMENSIONS IN INCHES & MILLIMETRES

WHILST EVERY EFFORT IS MADE TO ENSURE THE ACCURACY OF THESE DATA SHEETS THEY ARE SUBJECT TO CHANGE WITHOUT NOTICE AS PART OF THE COMPANY'S PRODUCT DEVELOPMENT PROCESS

M2-2211

FLEETWOOD LEVER 5-HOLE BATH SET WITH PULL-OUT METAL-FINISH HAND SHOWER & LEVER DECK DIVERTER TRIM ONLY, TO SUIT R1-4007 ROUGH



- | | | | | | |
|---|--------------------------|----|--------------------------|----|---------------------------|
| 1 | Spout (139321) | 10 | Adaptor (067591) | 19 | Adaptor (057507) |
| 2 | Oil-seal (010899) | 11 | Escutcheon (303013) | 20 | Stem extension (067196-T) |
| 3 | Aerator insert (114237R) | 12 | Handle (C) (029686C-T) | 21 | Escutcheon (215478) |
| 4 | Aerator housing (305032) | 13 | Canopy (018209) | 22 | O-ring (004591) |
| 5 | Handle (H) (029686H-T) | 14 | Clip (012242) | 23 | Hand shower (S2110314) |
| 6 | O-ring (048030) | 15 | Handle (029686-T) | 24 | Escutcheon (071433) |
| 7 | Pin (003150) | 16 | Stem extension (110320) | 25 | Gauge (027104) |
| 8 | Canopy (000111) | 17 | Washer (013570) | 26 | Allen key (031011) |
| 9 | Set screw (292565) | 18 | Screw (008486) | | |

Standards

IAPMO/cUPC Listed
Meets A112.18.1