



# LEFROY BROOKS

1 8 2 8 T R O U T M A N S T R E E T  
R I D G E W O O D N E W Y O R K N Y 1 1 3 8 5 U S A  
T: +1(718) 302 5292 F: +1(718) 302 4177

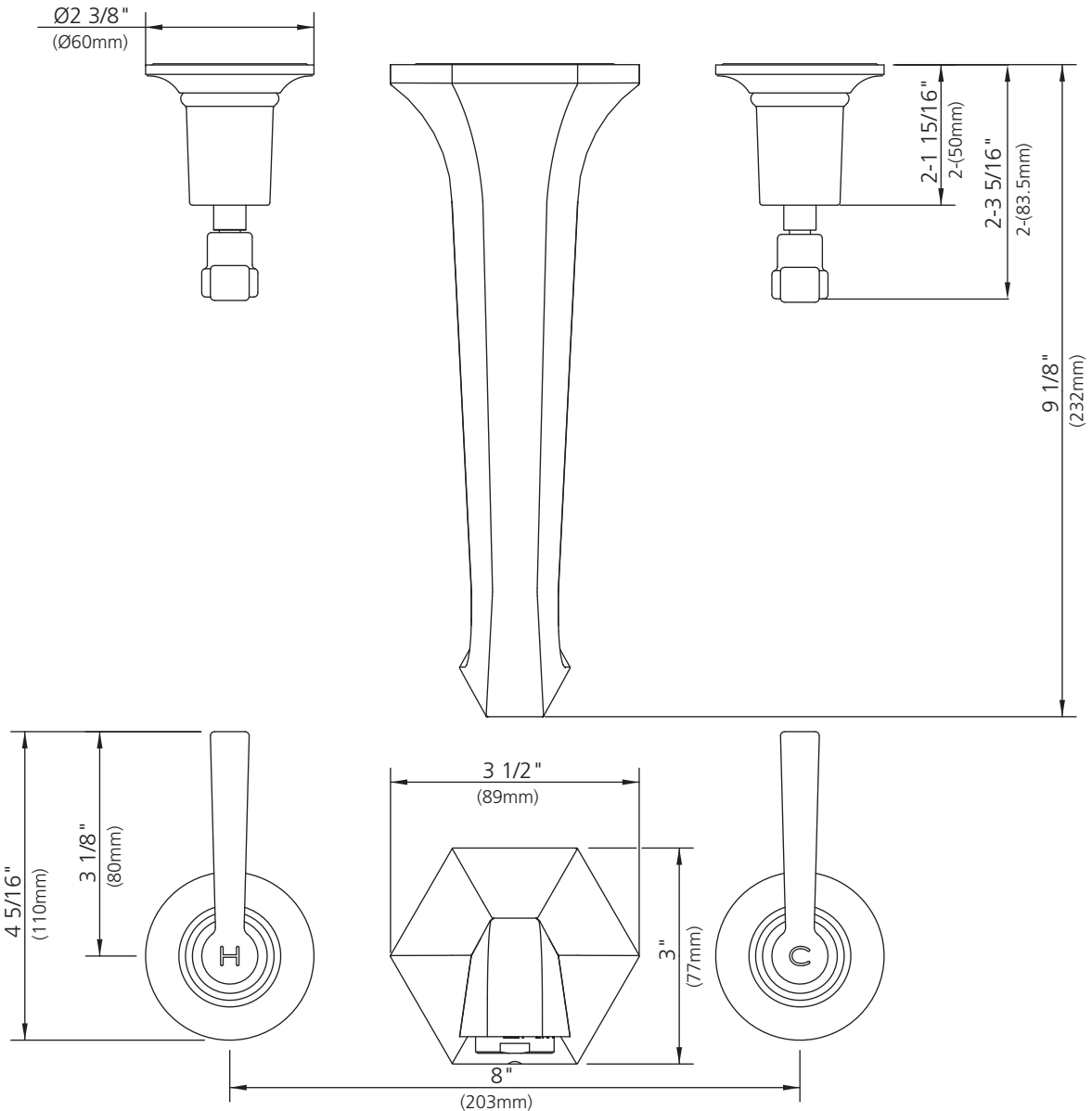
## M1-2401 (ML1270)

LEVER WALL-MOUNTED 3-HOLE BATH FILLER TRIM ONLY, TO SUIT  
R1-4036 ROUGH

### DIMENSIONAL DATA SHEET

DATE: 27 June 2012

No: A66F532



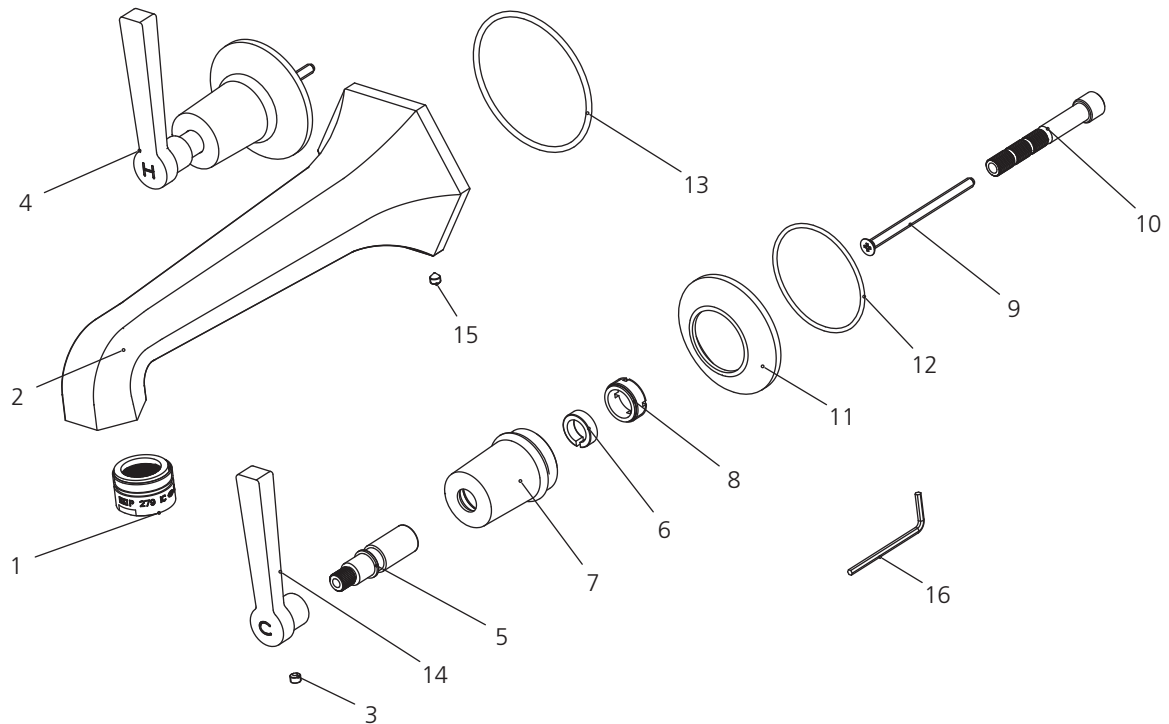
COPYRIGHT © LBIP LTD 2012. ALL RIGHTS RESERVED.

DIMENSIONS IN INCHES & MILLIMETRES

WHILST EVERY EFFORT IS MADE TO ENSURE THE ACCURACY OF THESE DATA SHEETS THEY ARE SUBJECT TO CHANGE WITHOUT NOTICE AS PART OF THE COMPANY'S PRODUCT DEVELOPMENT PROCESS

# M1-2401 (ML1270)

LEVER WALL-MOUNTED 3-HOLE BATH FILLER TRIM ONLY, TO SUIT R1-4036 ROUGH



- |   |                        |    |                         |
|---|------------------------|----|-------------------------|
| 1 | Aerator (500765)       | 9  | Screw (075043)          |
| 2 | Spout (118507)         | 10 | Stem extension (110490) |
| 3 | Set screw (292598)     | 11 | Escutcheon (071325)     |
| 4 | Handle ( H ) (069826H) | 12 | O-ring (004640N)        |
| 5 | Adaptor (067773)       | 13 | O-ring (063030)         |
| 6 | Clip (012242)          | 14 | Handle ( C ) (069826C)  |
| 7 | Canopy (018014)        | 15 | Set screw (008701)      |
| 8 | Adaptor (057507)       | 16 | Allen Key (031000)      |

## Standards

IAPMO/cUPC Listed  
Meets A112.18.1  
ADA Compliant