



LEFROY BROOKS

1 8 2 8 T R O U T M A N S T R E E T  
R I D G E W O O D N E W Y O R K N Y 1 1 3 8 5 U S A  
T : + 1 ( 7 1 8 ) 3 0 2 5 2 9 2 F : + 1 ( 7 1 8 ) 3 0 2 4 1 7 7

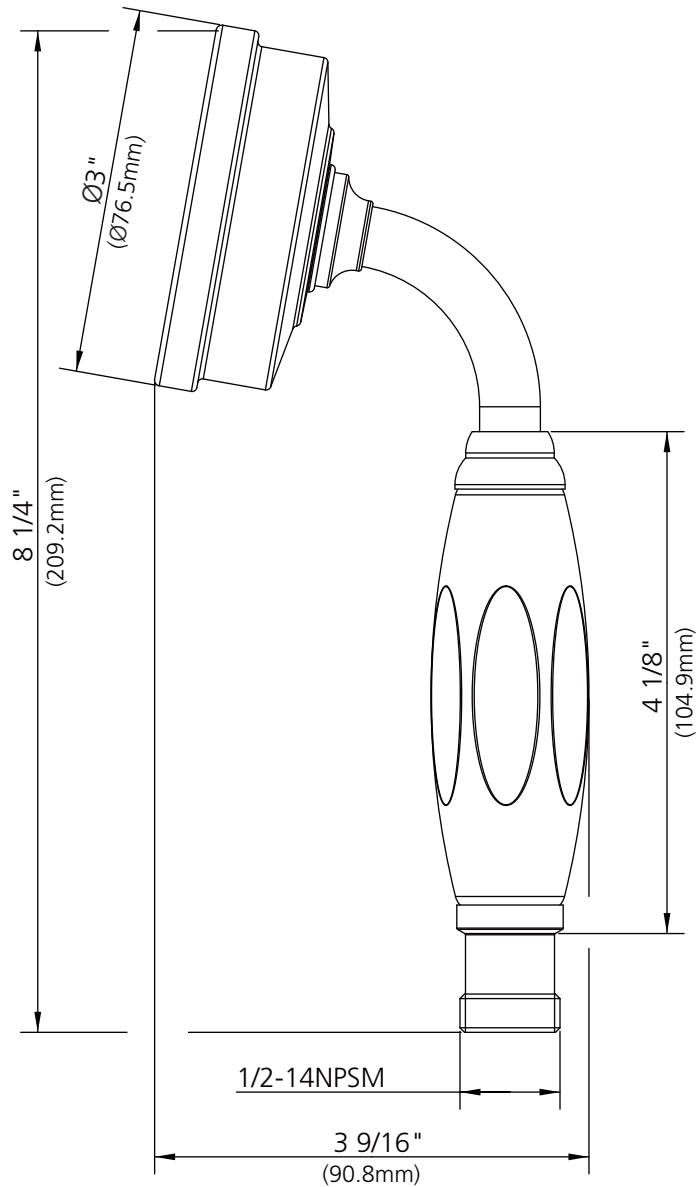
M1-1021

HAND SHOWER WITH METAL-FINISH HANDLE

DIMENSIONAL DATA SHEET

DATE: 15 Aug 2011

No: S2110309



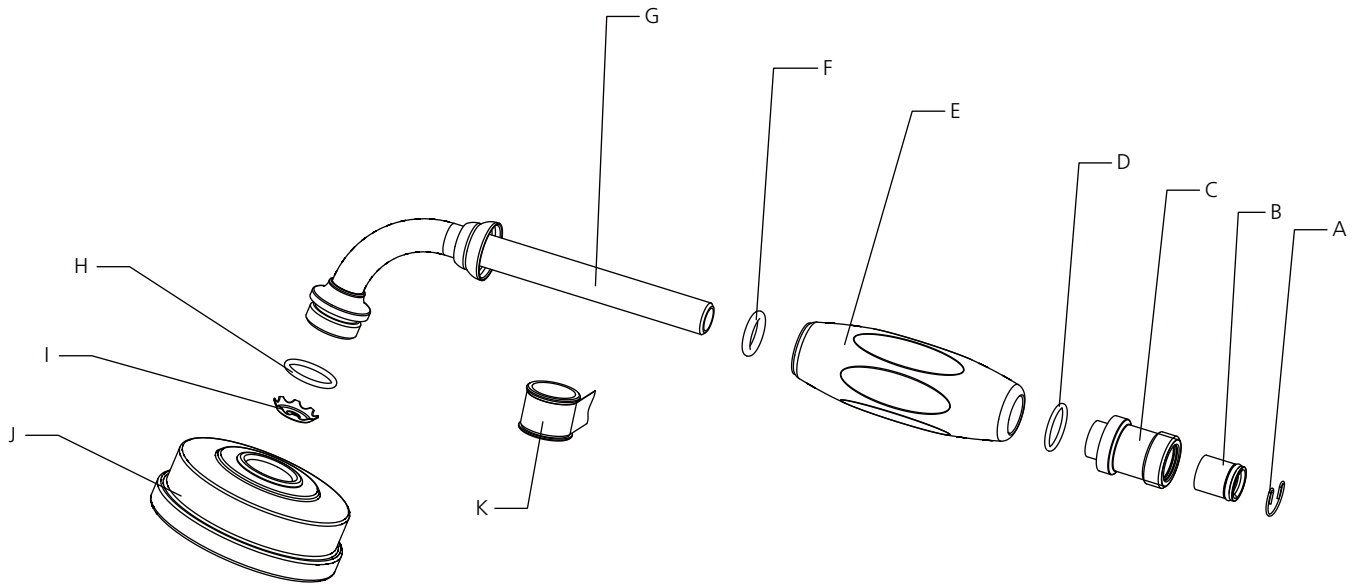
©COPYRIGHT 2009, CHRISTO LEFROY BROOKS. ALL RIGHTS RESERVED.

DIMENSIONS IN INCHES & MILLIMETRES

WHILST EVERY EFFORT IS MADE TO ENSURE THE ACCURACY OF THESE DATA SHEETS THEY ARE SUBJECT TO CHANGE WITHOUT NOTICE AS PART OF THE COMPANY'S PRODUCT DEVELOPMENT PROCESS

# M1-1021

HAND SHOWER WITH METAL-FINISH HANDLE

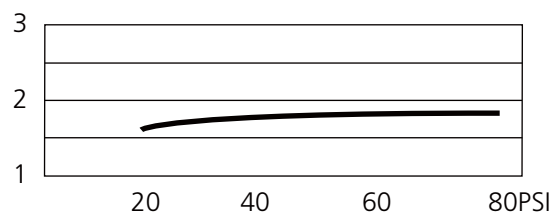


- A Clip (11294)
- B Non-return Valve (519236)
- C Adaptor (067827)
- D O-Ring (072016R)
- E Handle sleeve (108899)
- F O-Ring (004564R)
- G Tube assembly (020958)
- H O-Ring (063056)
- I Flow regulator (112693)
- J Shower head (112695)
- K Teflon tape (203000)

## Standards

IAPMO/cUPC Listed  
Meets A112.18.1

## Flow Rate



Please note :  
Final achievable flow rate is dependent on the outlets fitted, see relevant outlets (spouts, roses, sprays) for fully assembled product flow rate.