



**LEFROY BROOKS**

1 8 2 8 T R O U T M A N S T R E E T  
R I D G E W O O D N E W Y O R K N Y 1 1 3 8 5 U S A  
T : + 1 ( 7 1 8 ) 3 0 2 5 2 9 2 F : + 1 ( 7 1 8 ) 3 0 2 4 1 7 7

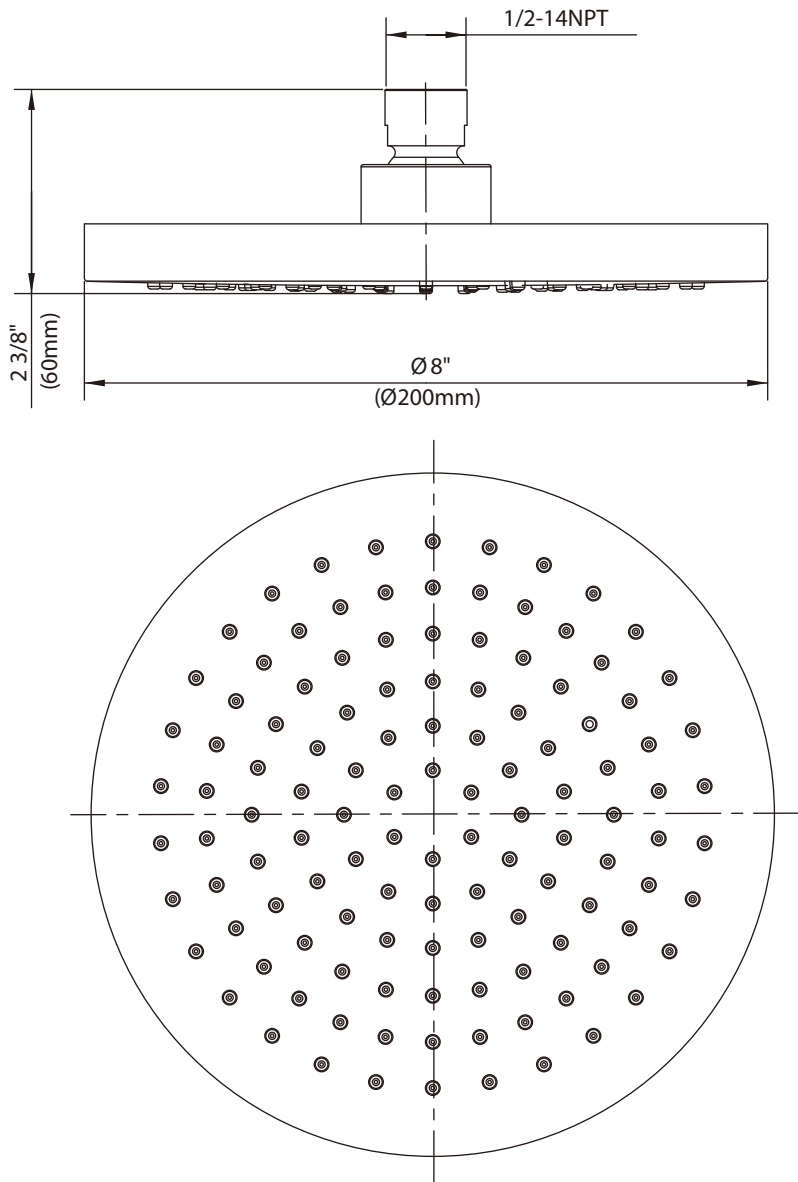
**Y1-4602**

ROUND STAINLESS STEEL AND PLASTIC 8-INCH SHOWER ROSE

**DIMENSIONAL DATA SHEET**

DATE: 02 October 2015

No: S1215802



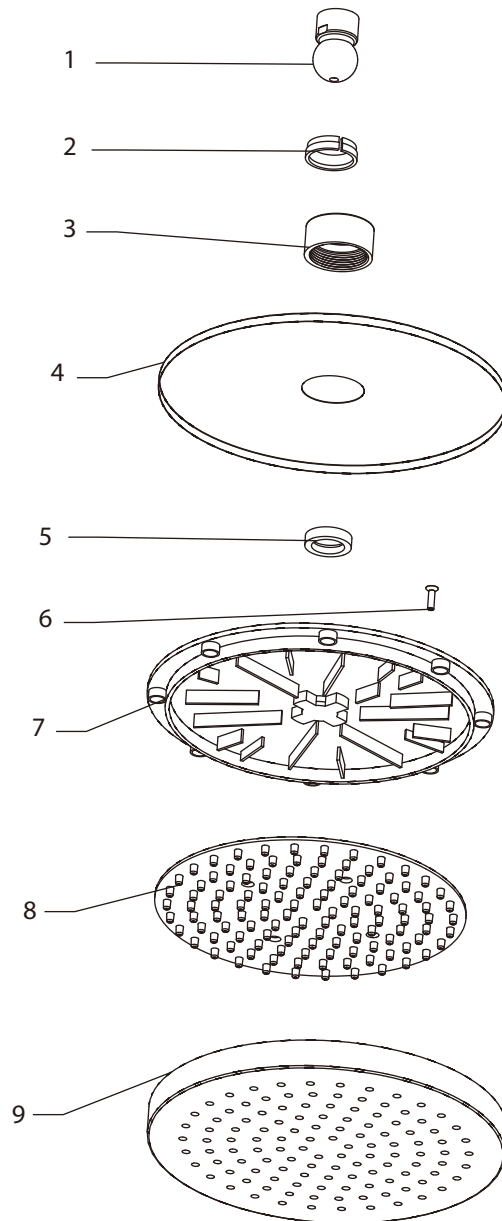
COPYRIGHT © LBIF LTD 2012. ALL RIGHTS RESERVED.

DIMENSIONS IN INCHES & MILLIMETRES

WHILST EVERY EFFORT IS MADE TO ENSURE THE ACCURACY OF THESE DATA SHEETS THEY ARE SUBJECT TO CHANGE WITHOUT NOTICE AS PART OF THE COMPANY'S PRODUCT DEVELOPMENT PROCESS

# Y1-4602

ROUND STAINLESS STEEL AND PLASTIC 8-INCH SHOWER ROSE

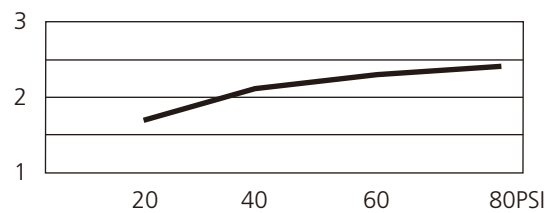


- 1 Ball joint (S1215802-R1)
- 2 Spacer (S1215802-R2)
- 3 Nut (S1215802-R3)
- 4 Back plate (S1215802-R4)
- 5 Seal (S1215802-R5)
- 6 Screw (S1215802-R6)
- 7 Body (S1215802-R7)
- 8 Showerhead accessory (S1215802-R8)
- 9 Front plate (S1215802-R9)

## Standards

IAPMO/cUPC Listed  
Meets A112.18.1

## Flow Rate



Please note :  
Final achievable flow rate is dependent on the outlets fitted, see relevant outlets (spouts, roses, sprays) for fully assembled product flow rate.