



# LEFROY BROOKS

1 8 2 8 T R O U T M A N S T R E E T  
R I D G E W O O D N E W Y O R K N Y 1 1 3 8 5 U S A  
T : + 1 ( 7 1 8 ) 3 0 2 5 2 9 2 F : + 1 ( 7 1 8 ) 3 0 2 4 1 7 7

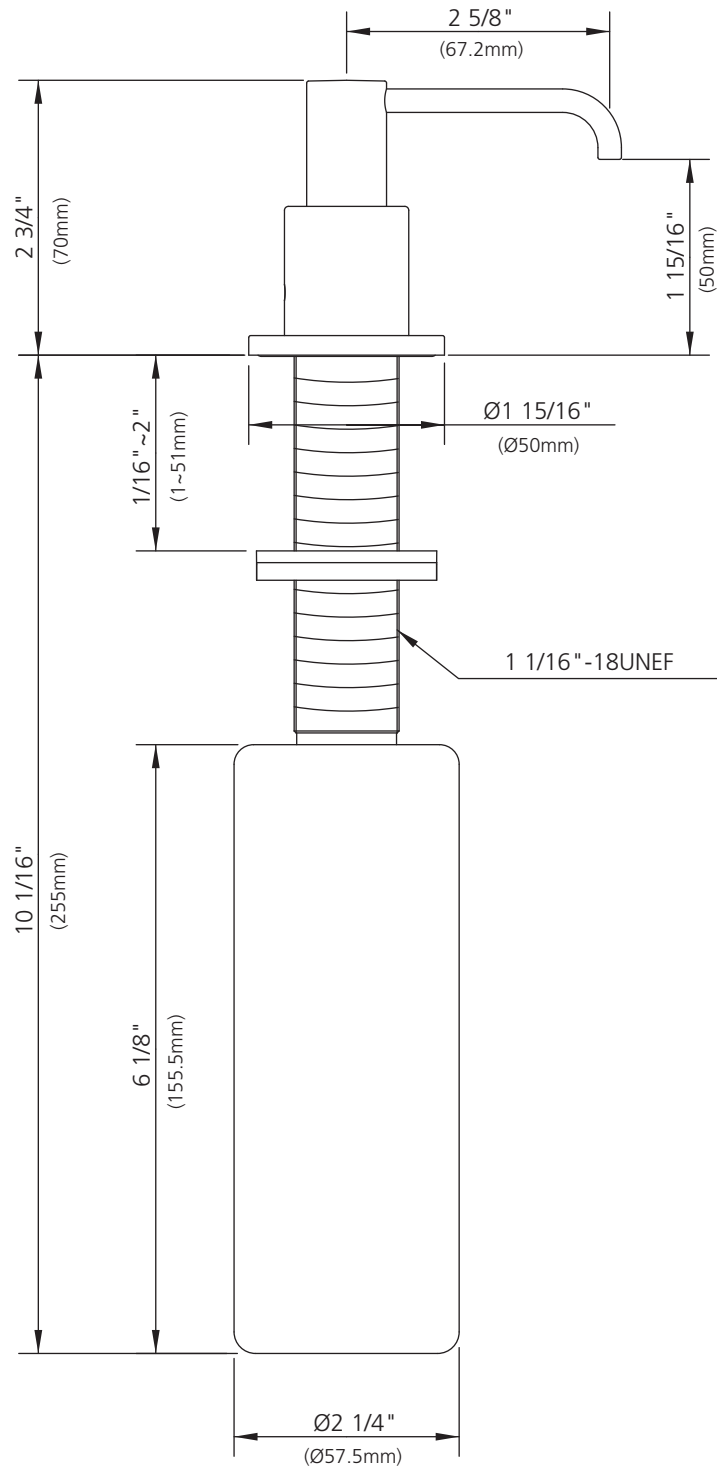
Y1-3095

SOAP DISPENSER

## DIMENSIONAL DATA SHEET

DATE: 13 February 2012

No: A502246



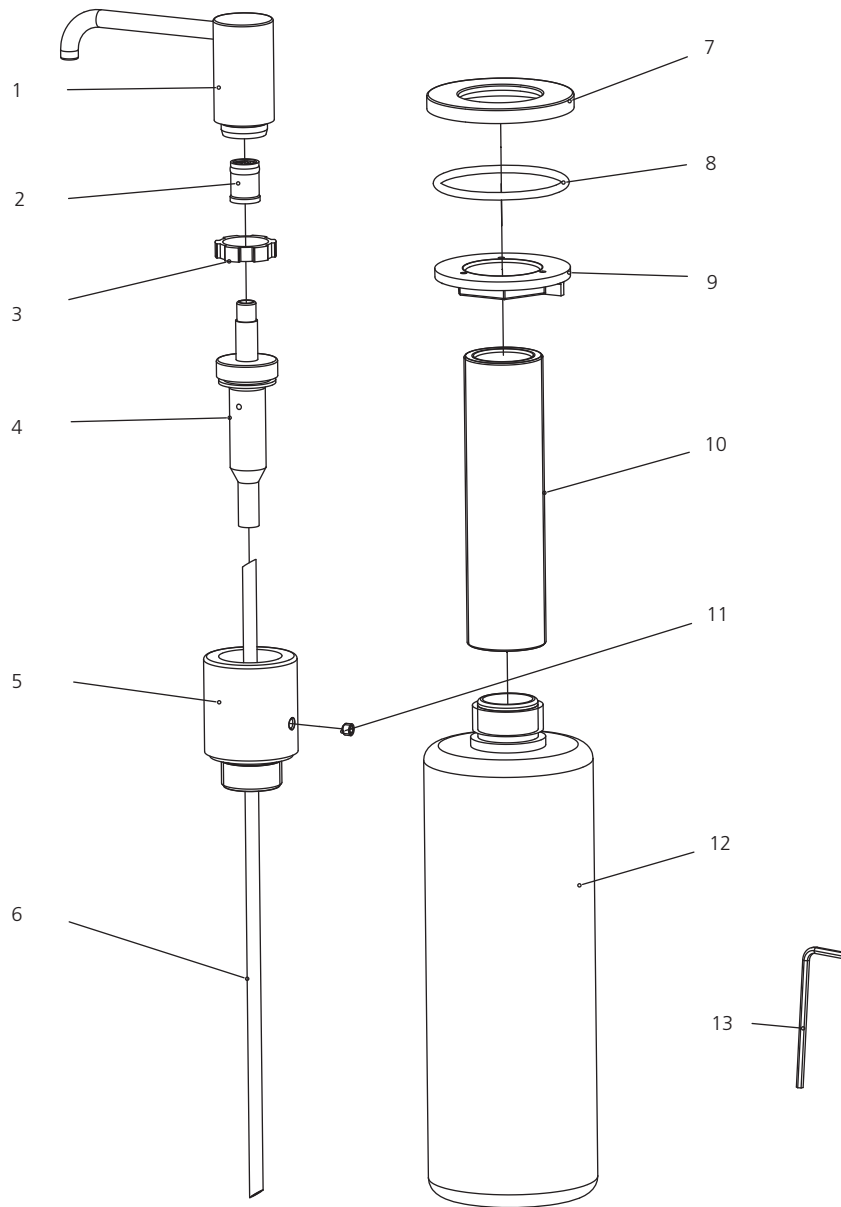
©COPYRIGHT 2009. CHRISTO LEFROY BROOKS. ALL RIGHTS RESERVED.

DIMENSIONS IN INCHES & MILLIMETRES

WHILST EVERY EFFORT IS MADE TO ENSURE THE ACCURACY OF THESE DATA SHEETS THEY ARE SUBJECT TO CHANGE WITHOUT NOTICE AS PART OF THE COMPANY'S PRODUCT DEVELOPMENT PROCESS

# Y1-3095

SOAP DISPENSER



- 1 Push button knob (115153)
- 2 Seal (010086)
- 3 Washer (060044)
- 4 Pump (210001)
- 5 Canopy (307121)
- 6 Pipe (210217)
- 7 Escutcheon (211111)
- 8 O-ring (004072N)
- 9 Screw (009017)
- 10 Connection tube (014412)
- 11 Screw (008772)
- 12 Bottle (116000)
- 13 Allen key (031003)