



LEFROY BROOKS

1 8 2 8 T R O U T M A N S T R E E T
R I D G E W O O D N E W Y O R K N Y 1 1 3 8 5 U S A
T: +1(718) 302 5292 F: +1(718) 302 4177

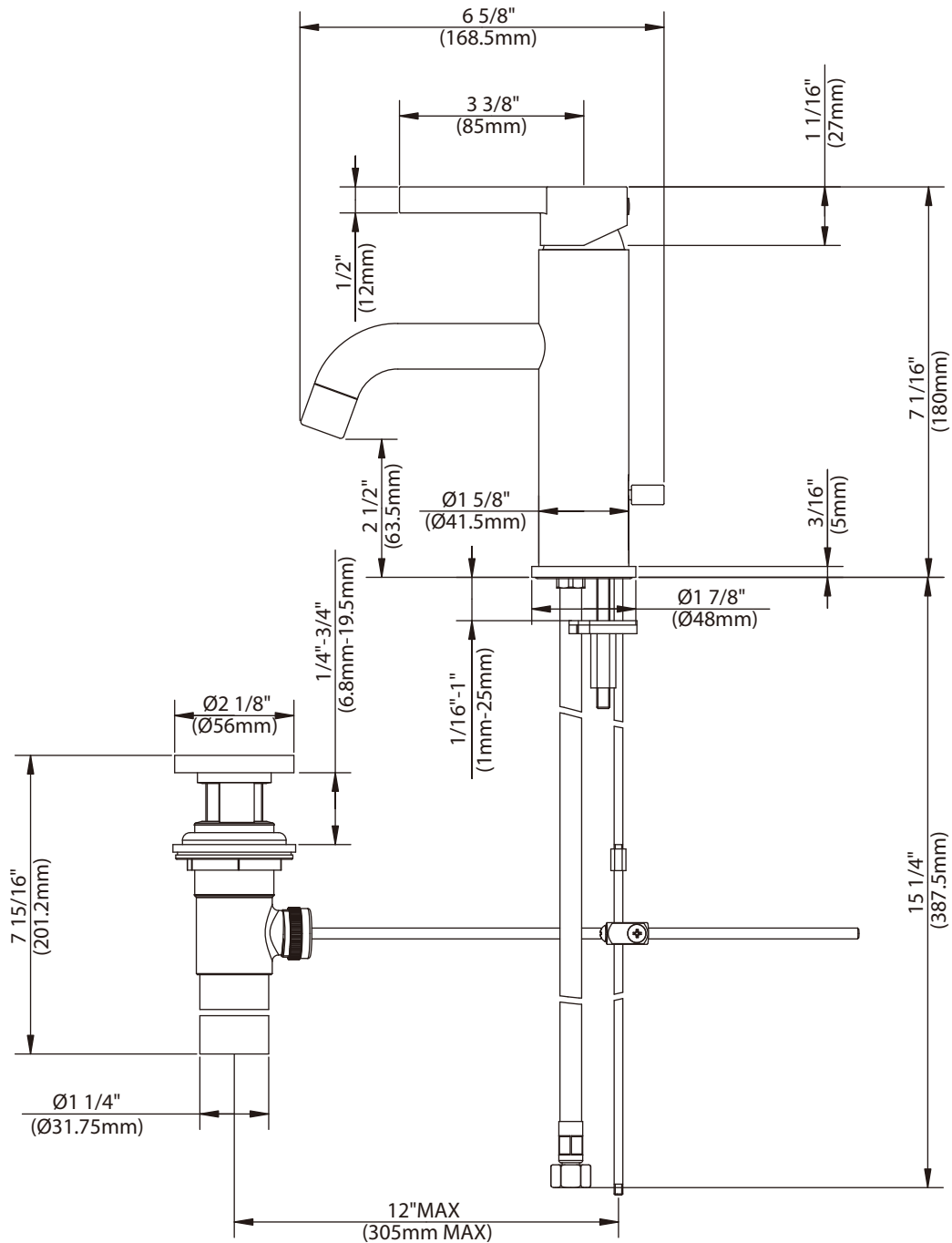
K1-9026

LEVER MONOBASIN WITH VOLUME CONTROL, WITH P.U.W.

DIMENSIONAL DATA SHEET

DATE: 05 February 2014

No: FS1A4155



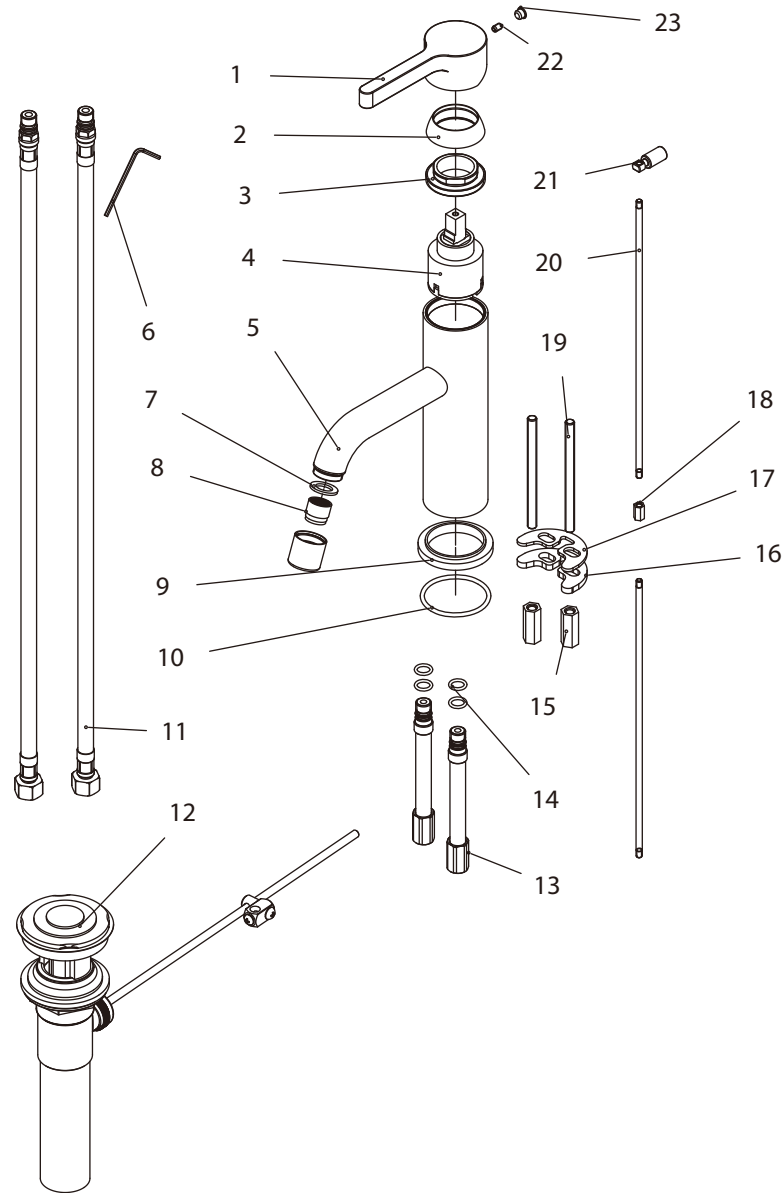
COPYRIGHT © LBIP LTD 2012. ALL RIGHTS RESERVED.

DIMENSIONS IN INCHES & MILLIMETRES

WHILST EVERY EFFORT IS MADE TO ENSURE THE ACCURACY OF THESE DATA SHEETS THEY ARE SUBJECT TO CHANGE WITHOUT NOTICE AS PART OF THE COMPANY'S PRODUCT DEVELOPMENT PROCESS

K1-9026

LEVER MONOBASIN WITH VOLUME CONTROL, WITH P.U.W.

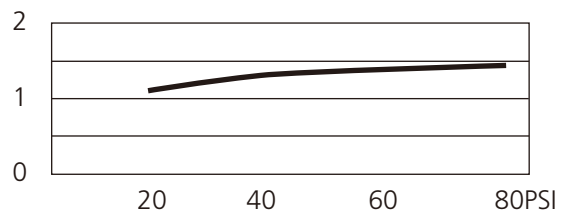


1	Handle (069759-51)	9	Escutcheon (034770)	17	Washer (013715)
2	Shroud (103319)	10	O-ring (048031N)	18	Adaptor (039807)
3	Adjusting ring (104233)	11	Flexible hose (105652W)	19	Fixing bolt (017820)
4	Cartridge (507348N)	12	Pop-up sub-assembly (556781)	20	Pop-up rod (125322)
5	Spout assembly (061943W-54)	13	Pipes assembly (064297W)	21	Pop-up knob (124367)
6	Allen key (031003)	14	O-ring (004001N)	22	Set screw (075018)
7	Oil-seal (010805N)	15	Nut (009812)	23	Plug (028079)
8	Aerator insert (553661N)	16	Washer (013978)		

Standards

IAPMO/cUPC Listed
Meets NSF 61-9
Meets A112.18.1

Flow Rate



Please note :

Final achievable flow rate is dependent on the outlets fitted, see relevant outlets (spouts, roses, sprays) for fully assembled product flow rate.