



LEFROY BROOKS

1 8 2 8 T R O U T M A N S T R E E T
R I D G E W O O D N E W Y O R K N Y 1 1 3 8 5 U S A
T : + 1 (7 1 8) 3 0 2 5 2 9 2 F : + 1 (7 1 8) 3 0 2 4 1 7 7

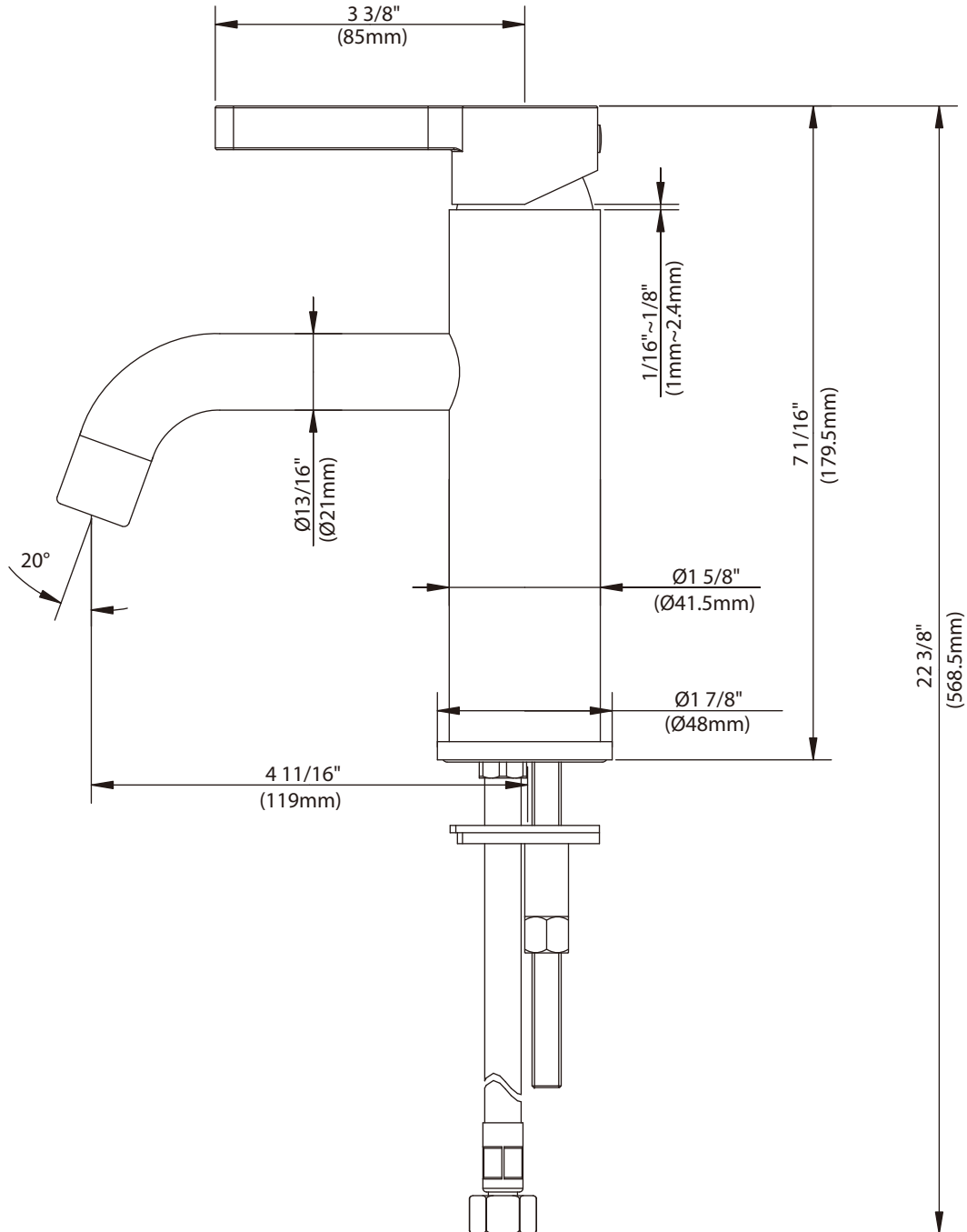
K1-9025

LEVER MONOBASIN WITH VOLUME CONTROL, NO P.U.W.

DIMENSIONAL DATA SHEET

DATE: 05 February 2014

No: FS1A0012



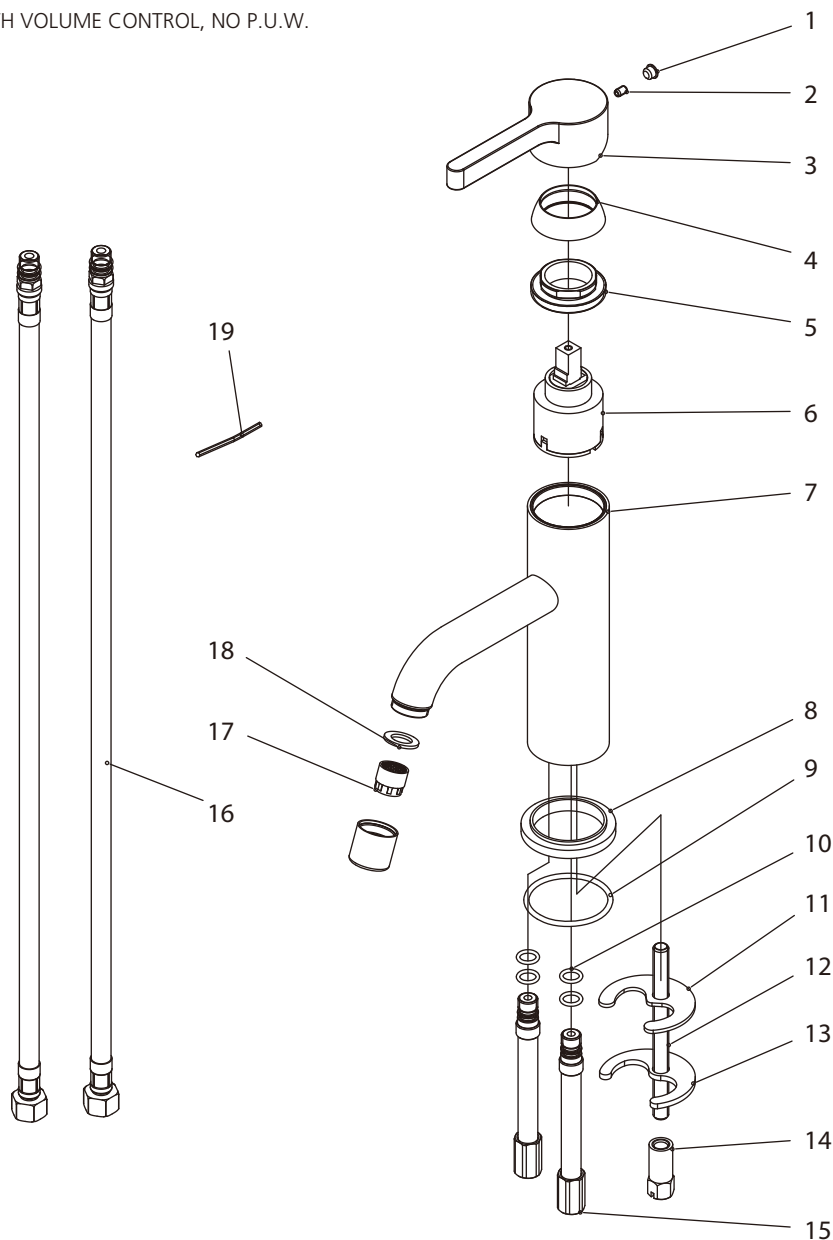
COPYRIGHT © LBIP LTD 2012. ALL RIGHTS RESERVED.

DIMENSIONS IN INCHES & MILLIMETRES

WHILST EVERY EFFORT IS MADE TO ENSURE THE ACCURACY OF THESE DATA SHEETS THEY ARE SUBJECT TO CHANGE WITHOUT NOTICE AS PART OF THE COMPANY'S PRODUCT DEVELOPMENT PROCESS

K1-9025

LEVER MONOBASIN WITH VOLUME CONTROL, NO P.U.W.

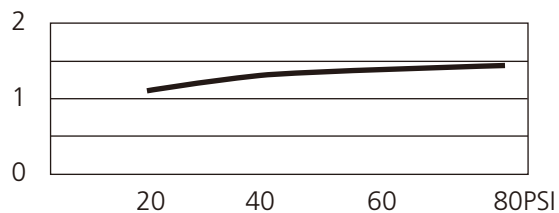


1	Plug (028079)	8	Escutcheon (034770)	15	Pipes assembly (064297W)
2	Set screw (075018)	9	O-ring (048031N)	16	Flexible hose (105652W)
3	Handle (069759-51)	10	O-ring (004001N)	17	Aerator insert (553661N)
4	Shroud (103319)	11	Washer (013039)	18	Oil-seal (010805N)
5	Adjusting ring (104233)	12	Fixing bolt (017139)	19	Allen key (031003)
6	Cartridge (507348N)	13	Washer (013140)		
7	Spout assembly (139675W-54)	14	Nut (054857)		

Standards

IAPMO/cUPC Listed
 Meets NSF 61-9
 Meets A112.18.1
 ADA Compliant

Flow Rate



Please note :

Final achievable flow rate is dependent on the outlets fitted, see relevant outlets (spouts, roses, sprays) for fully assembled product flow rate.