



LEFROY BROOKS

1 8 2 8 T R O U T M A N S T R E E T
R I D G E W O O D N E W Y O R K N Y 1 1 3 8 5 U S A
T: +1(718) 302 5292 F: +1(718) 302 4177

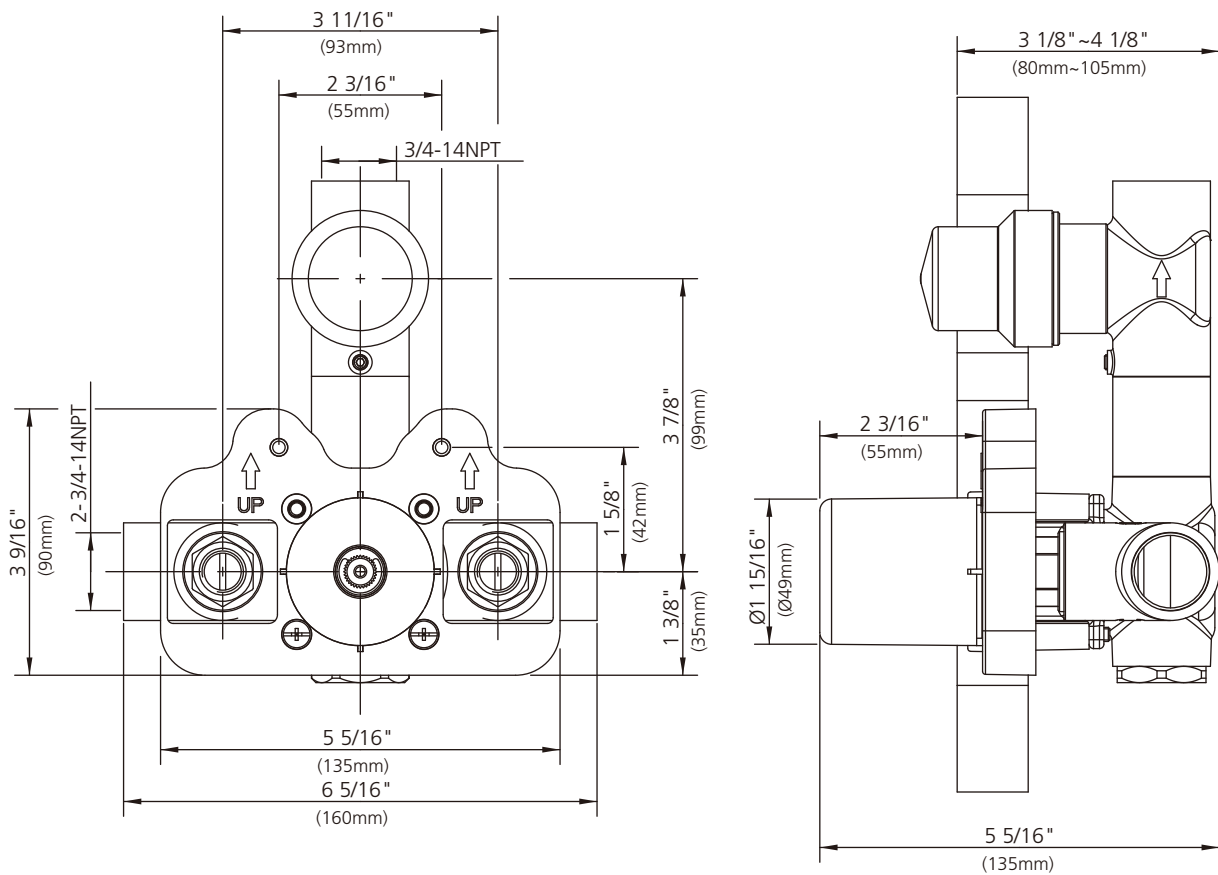
K1-4201

TWO HANDLE THERMOSTATIC ROUGH WITH FLOW CONTROL,
TO SUIT K1-4402

DIMENSIONAL DATA SHEET

DATE: 21 September 2012

No: A667511



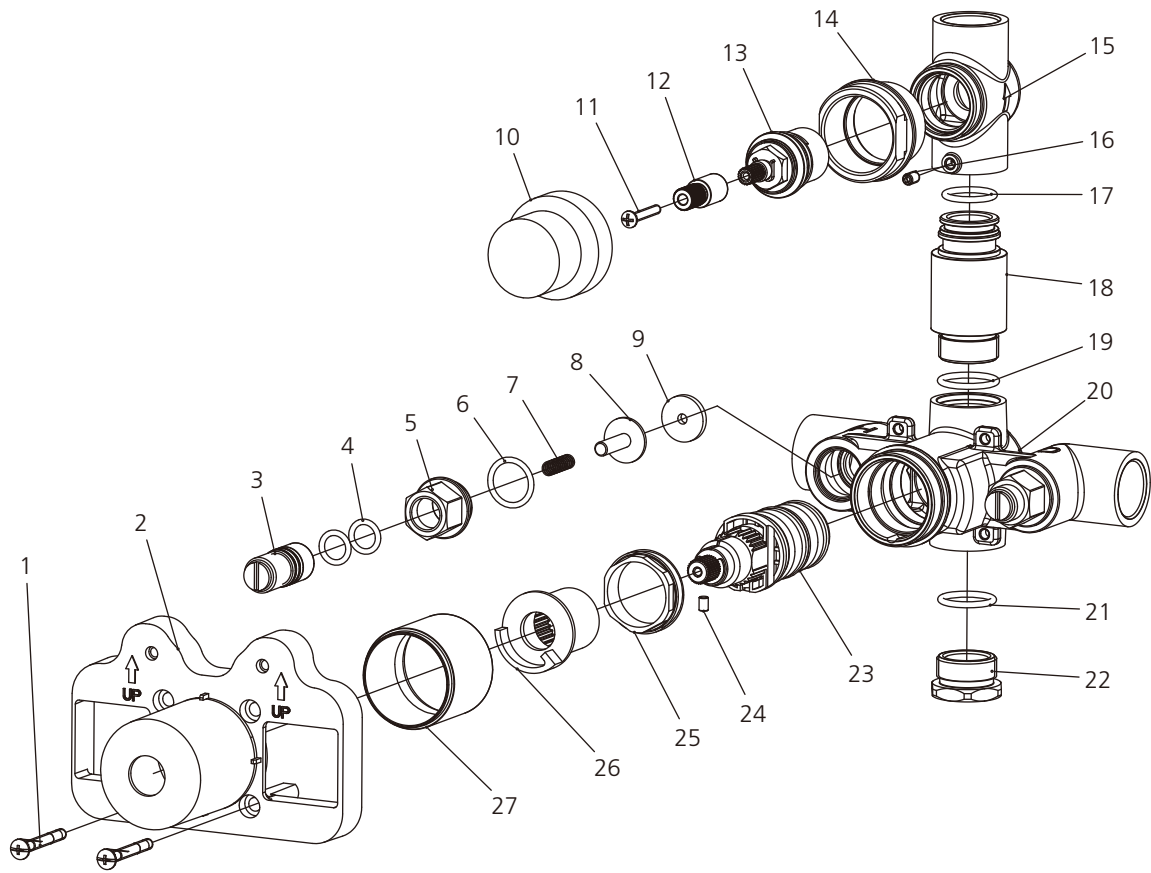
COPYRIGHT © LBIP LTD 2012. ALL RIGHTS RESERVED.

DIMENSIONS IN INCHES & MILLIMETRES

WHILST EVERY EFFORT IS MADE TO ENSURE THE ACCURACY OF THESE DATA SHEETS THEY ARE SUBJECT TO CHANGE WITHOUT NOTICE AS PART OF THE COMPANY'S PRODUCT DEVELOPMENT PROCESS

K1-4201

TWO HANDLE THERMOSTATIC ROUGH WITH FLOW CONTROL, TO SUIT K1-4402

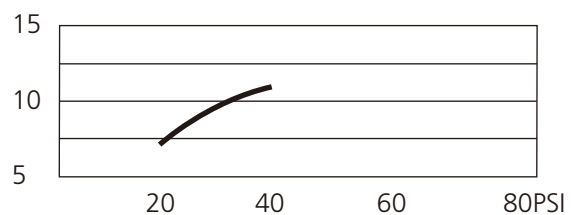


1	Screw (008230)	10	Protective cap (038008)	19	O-ring (072073N)
2	Plaster guard (127214)	11	Screw (065152)	20	Body (076706)
3	Stud bolt (017119)	12	Stem extension (110406)	21	O-ring (048017)
4	O-ring (048038)	13	Cartridge (507911)	22	Plug (028604)
5	Nut (009111)	14	Sleeve (035484)	23	Thermostatic cartridge (507132)
6	O-ring (063060)	15	Body (076707)	24	Pin (003146)
7	Spring (005060)	16	Grub screw (075039)	25	Retaining nut (104061)
8	Cartridge (024092)	17	O-ring (004096N)	26	Stopper (049108)
9	Oil seal (010113)	18	Adaptor (067765)	27	Sleeve (041754)

Standards

IAPMO/cUPC Listed
Meets A112.18.1
Meets ASSE 1016

Flow Rate



Please note :

Final achievable flow rate is dependent on the outlets fitted, see relevant outlets (spouts, roses, sprays) for fully assembled product flow rate.