



LEFROY BROOKS

1 8 2 8 T R O U T M A N S T R E E T
R I D G E W O O D N E W Y O R K N Y 1 1 3 8 5 U S A
T: +1(718) 302 5292 F: +1(718) 302 4177

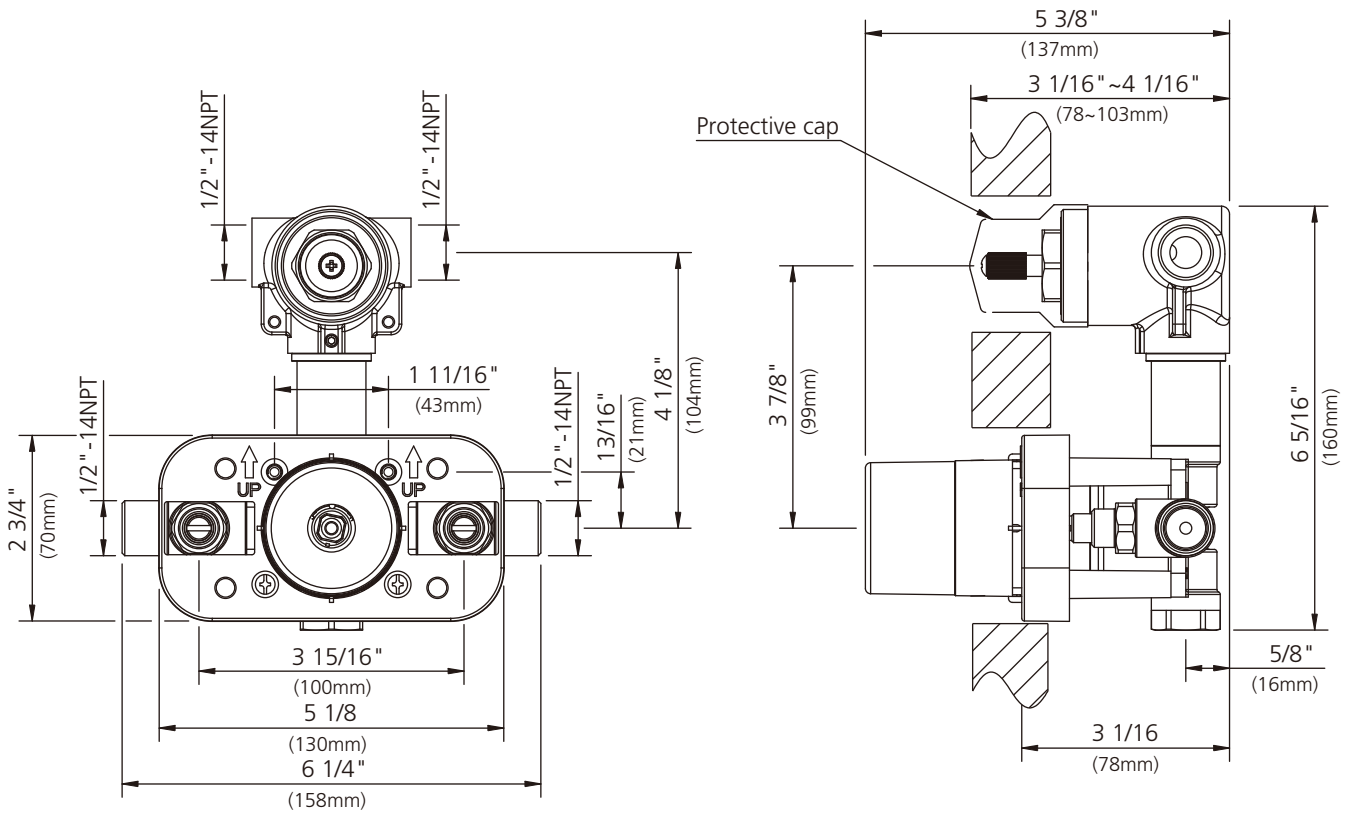
K1-4101

TWO HANDLE PRESSURE BALANCE ROUGH WITH 2-WAY
DIVERTER, TO SUIT K1-4302, K1-4303 & K1-4306

DIMENSIONAL DATA SHEET

DATE: 18 October 2012

No: A661016



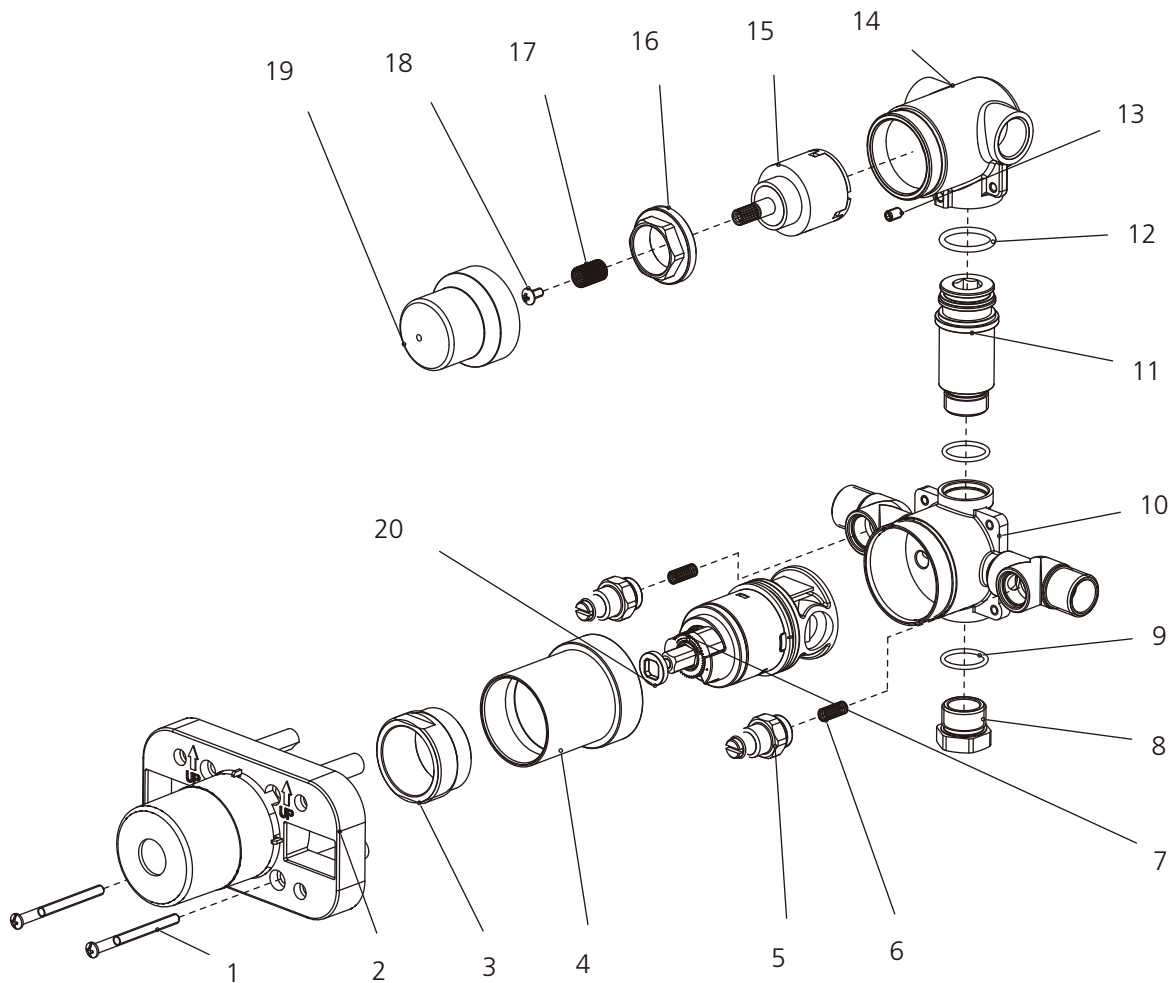
COPYRIGHT © LBIP LTD 2012. ALL RIGHTS RESERVED.

DIMENSIONS IN INCHES & MILLIMETRES

WHILST EVERY EFFORT IS MADE TO ENSURE THE ACCURACY OF THESE DATA SHEETS THEY ARE SUBJECT TO CHANGE WITHOUT NOTICE AS PART OF THE COMPANY'S PRODUCT DEVELOPMENT PROCESS

K1-4101

TWO HANDLE PRESSURE BALANCE ROUGH WITH 2-WAY DIVERTER, TO SUIT K1-4302, K1-4303 & K1-4306

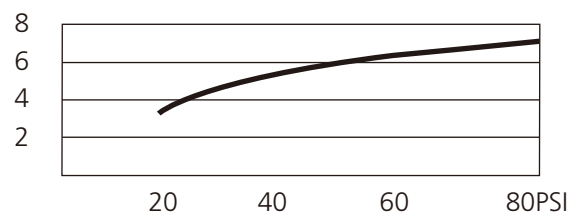


1	Screw (008241)	8	Plug (028599)	17	Adaptor (057673)
2	Plaster guard (127212)	9	O-ring (004074)	18	Screw (065172)
3	Adjusting ring (104288)	10	Body (061847)	19	Protective cap (038008)
4	Sleeve (041723)	11	Adaptor (067913)	20	Washer (013182)
5	Cartridge sub-assembly (507037)	12	O-ring (048017)		
6	Spring (005006)	13	Set screw (075039)		
7	Cartridge assembly and Base assembly (507655)	14	Body (076697)		
		15	Diverter cartridge (507775N)		
		16	Adjusting ring (104289)		

Standards

IAPMO/cUPC Listed
Meets A112.18.1
Meets ASSE 1016

Flow Rate



Please note :

Final achievable flow rate is dependent on the outlets fitted, see relevant outlets (spouts, roses, sprays) for fully assembled product flow rate.