



**LEFROY BROOKS**

1 8 2 8 T R O U T M A N S T R E E T  
R I D G E W O O D N E W Y O R K N Y 1 1 3 8 5 U S A  
T: +1(718) 302 5292 F: +1(718) 302 4177

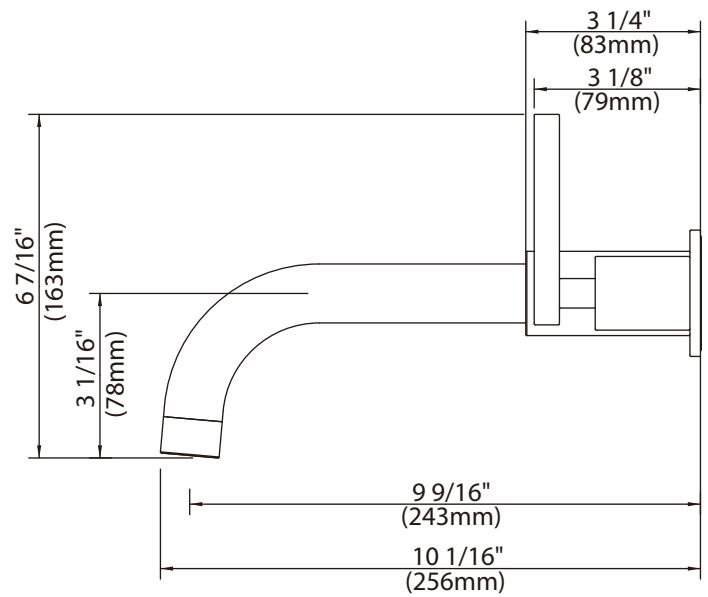
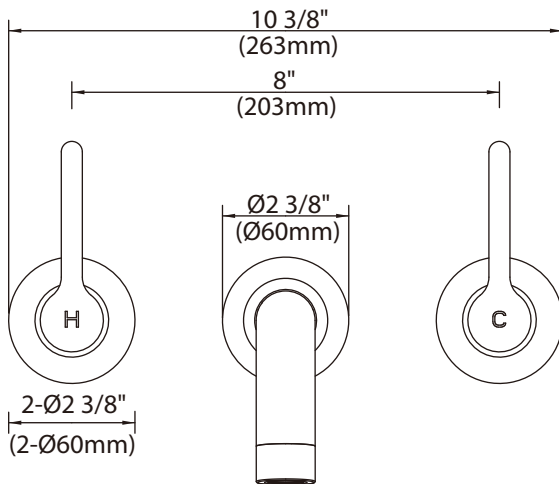
**K1-2401**

LEVER WALL-MOUNTED, 3-HOLE BATH FILLER TRIM ONLY, TO SUIT  
R1-4018 ROUGH

**DIMENSIONAL DATA SHEET**

DATE: 09 January 2013

No: A66F531-50



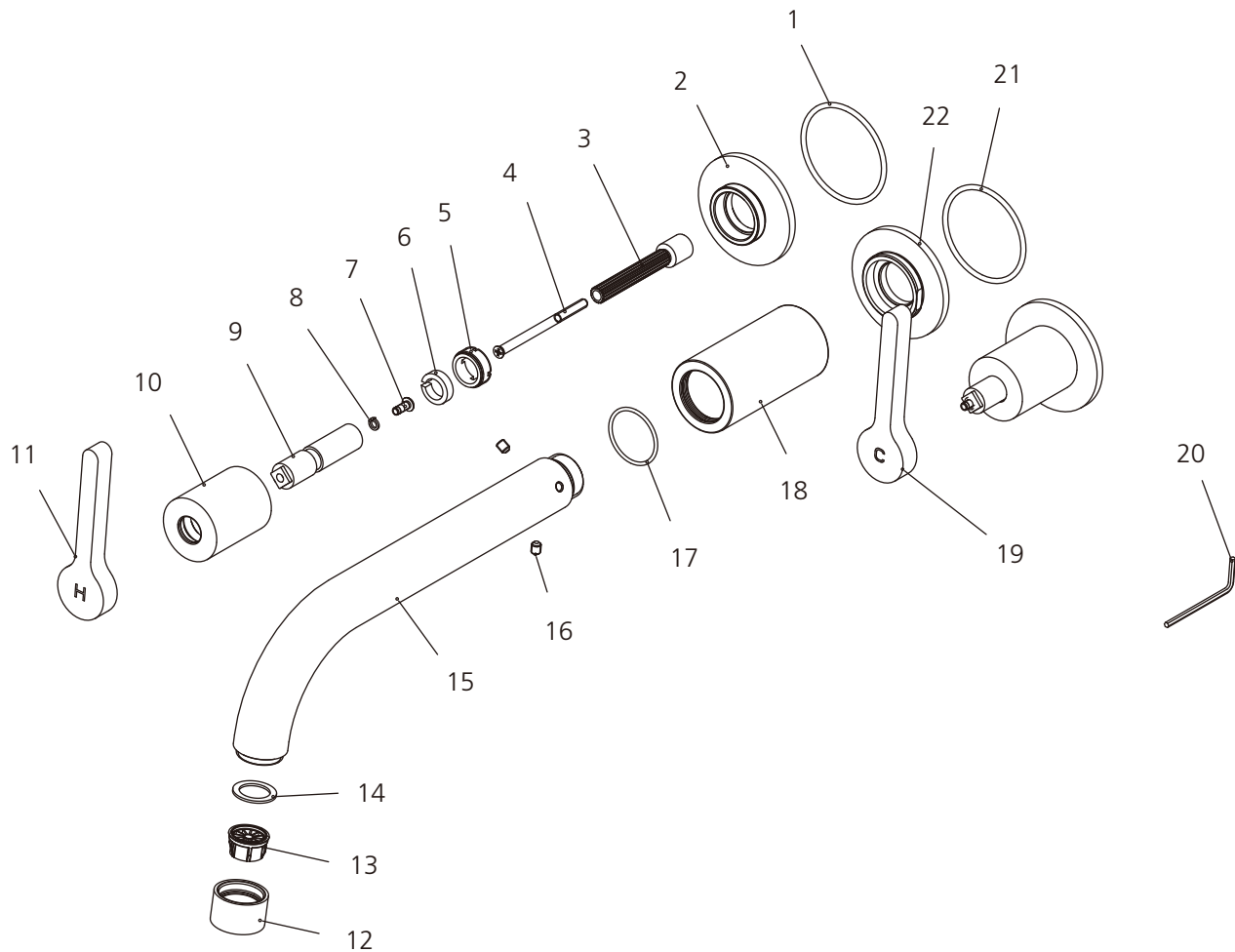
COPYRIGHT © LBIP LTD 2012. ALL RIGHTS RESERVED.

DIMENSIONS IN INCHES & MILLIMETRES

WHILST EVERY EFFORT IS MADE TO ENSURE THE ACCURACY OF THESE DATA SHEETS THEY ARE SUBJECT TO CHANGE WITHOUT NOTICE AS PART OF THE COMPANY'S PRODUCT DEVELOPMENT PROCESS

# K1-2401

LEVER WALL-MOUNTED, 3-HOLE BATH FILLER TRIM ONLY, TO SUIT R1-4018 ROUGH



1	O-ring (048062)	9	Stem extension (110005)	17	O-ring (048029N)
2	Escutcheon (071344)	10	Canopy (018438)	18	Canopy (000133)
3	Stem extension (110332)	11	Handle ( H ) (069699H-50)	19	Handle ( C ) (069699C-50)
4	Screw (008766)	12	Aerator housing (305781)	20	Allen key (031000)
5	Adaptor (057507)	13	Aerator insert (114237R)	21	O-ring (004567)
6	Clip (012242)	14	Oil-seal (010899)	22	Escutcheon (303081)
7	Screw (008154)	15	Spout assembly (139075)		
8	Washer (013570)	16	Set screw (075038)		

## Standards

IAPMO/cUPC Listed  
Meets A112.18.1  
ADA Compliant

Please note :  
Final achievable flow rate is dependent on the outlets fitted, see relevant outlets (spouts, roses, sprays) for fully assembled product flow rate.