



LEFROY BROOKS

1 8 2 8 T R O U T M A N S T R E E T
R I D G E W O O D N E W Y O R K N Y 1 1 3 8 5 U S A
T: +1(718) 302 5292 F: +1(718) 302 4177

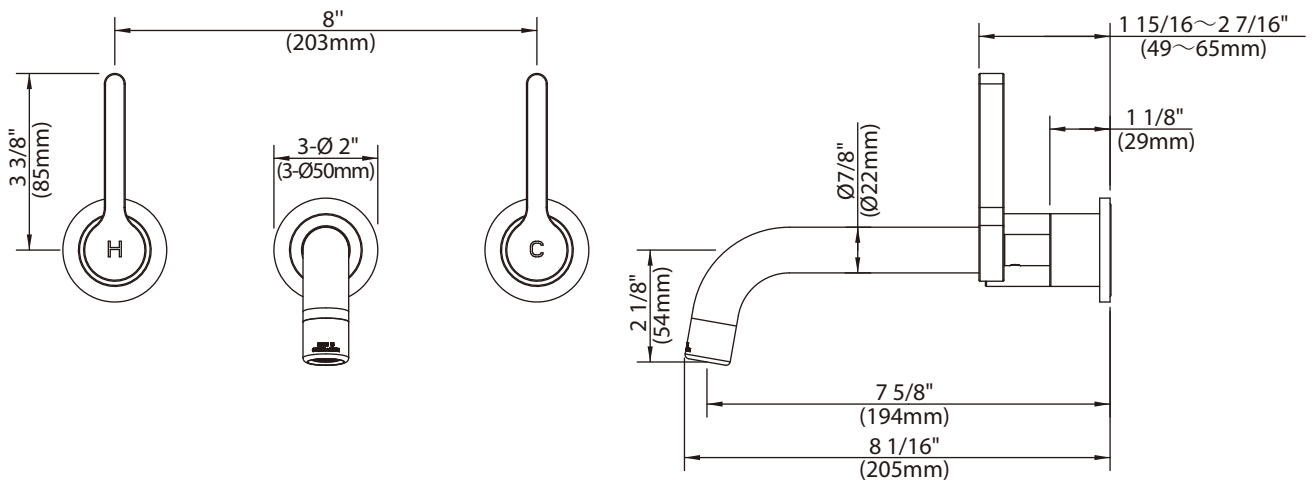
K1-1401

LEVER 3-HOLE WALL BASIN MIXER TRIM ONLY, TO SUIT R1-4016
ROUGH

DIMENSIONAL DATA SHEET

DATE: 29 November 2013

No: A66F278W



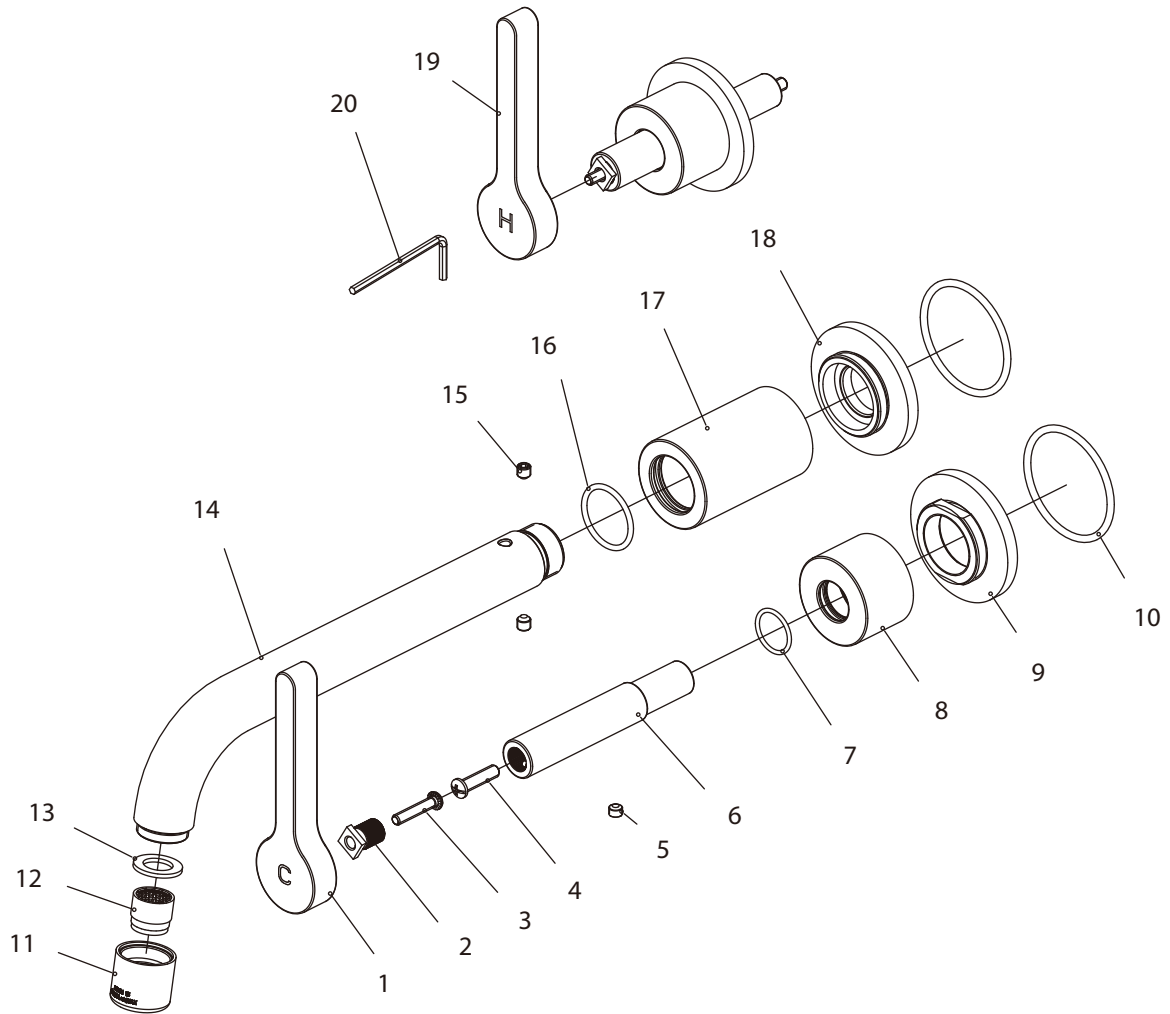
COPYRIGHT © LBP LTD 2012. ALL RIGHTS RESERVED.

DIMENSIONS IN INCHES & MILLIMETRES

WHILST EVERY EFFORT IS MADE TO ENSURE THE ACCURACY OF THESE DATA SHEETS THEY ARE SUBJECT TO CHANGE WITHOUT NOTICE AS PART OF THE COMPANY'S PRODUCT DEVELOPMENT PROCESS

K1-1401

LEVER 3-HOLE WALL BASIN MIXER TRIM ONLY, TO SUIT R1-4016 ROUGH



1	Handle (C) (069699C-50)	8	Canopy (018964)	15	Screw (008198)
2	Adaptor (067964)	9	Escutcheon (071475)	16	O-ring (004007)
3	Screw (008744)	10	O-ring (004009)	17	Canopy (018965)
4	Screw (008233)	11	Aerator housing (305779N-54)	18	Escutcheon (071271)
5	Screw (292598)	12	Aerator insert (553661N)	19	Handle (H) (069699H-50)
6	Stem extension (110327)	13	Oil-seal (010805N)	20	Allen key (031000)
7	O-ring (072028)	14	Spout assembly (139646W)		

Standards

IAPMO/cUPC Listed
 Meets NSF 61-9
 Meets A112.18.1
 ADA Compliant

Please note :
 Final achievable flow rate is dependent on the outlets fitted, see relevant outlets (spouts, roses, sprays) for fully assembled product flow rate.