



LEFROY BROOKS

1 8 2 8 T R O U T M A N S T R E E T
R I D G E W O O D N E W Y O R K N Y 1 1 3 8 5 U S A
T : + 1 (7 1 8) 3 0 2 5 2 9 2 F : + 1 (7 1 8) 3 0 2 4 1 7 7

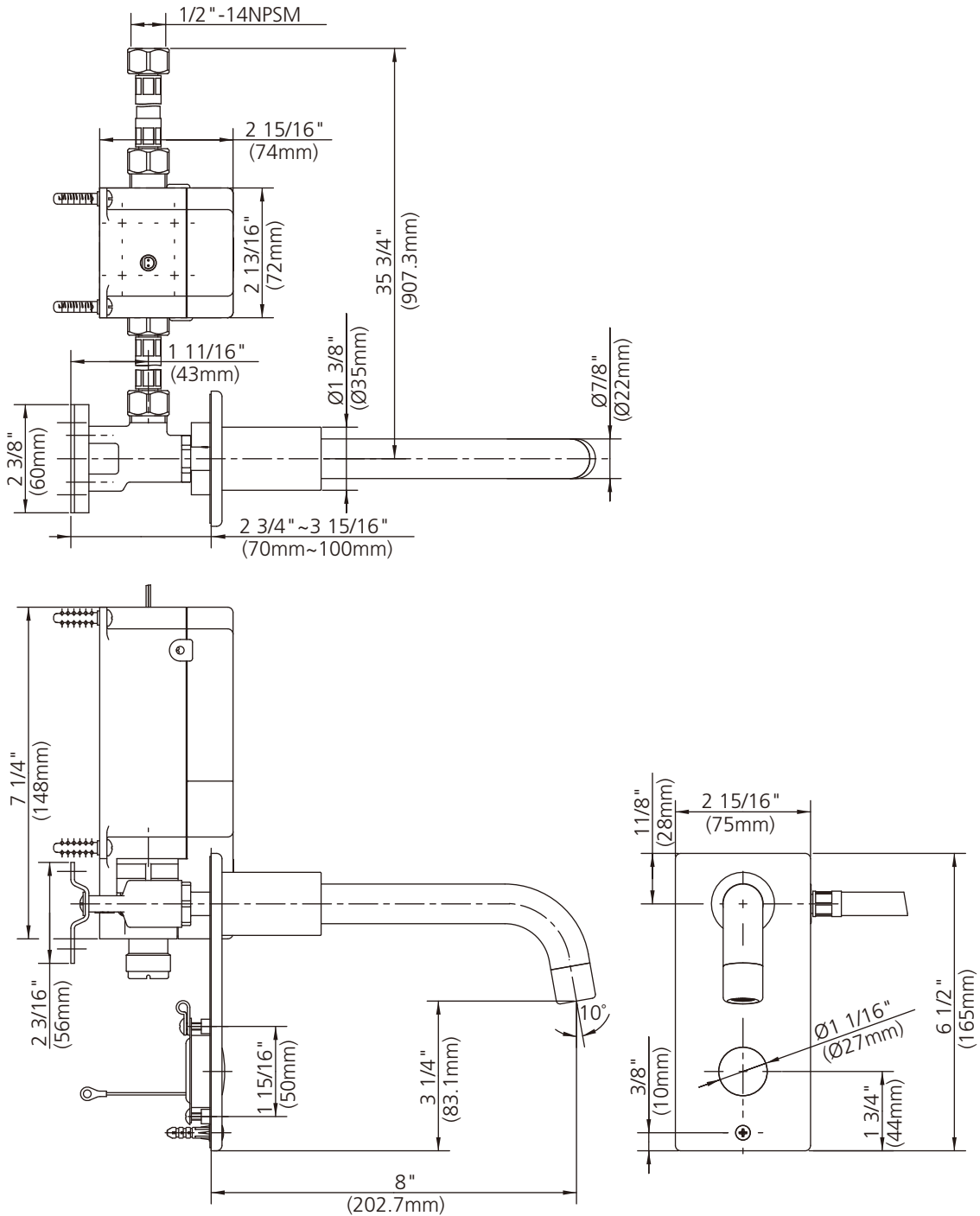
K1-1301

WALL HANDS-FREE ELECTRONIC BASIN FAUCET

DIMENSIONAL DATA SHEET

DATE: 02 JULY 2014

No: E114H001



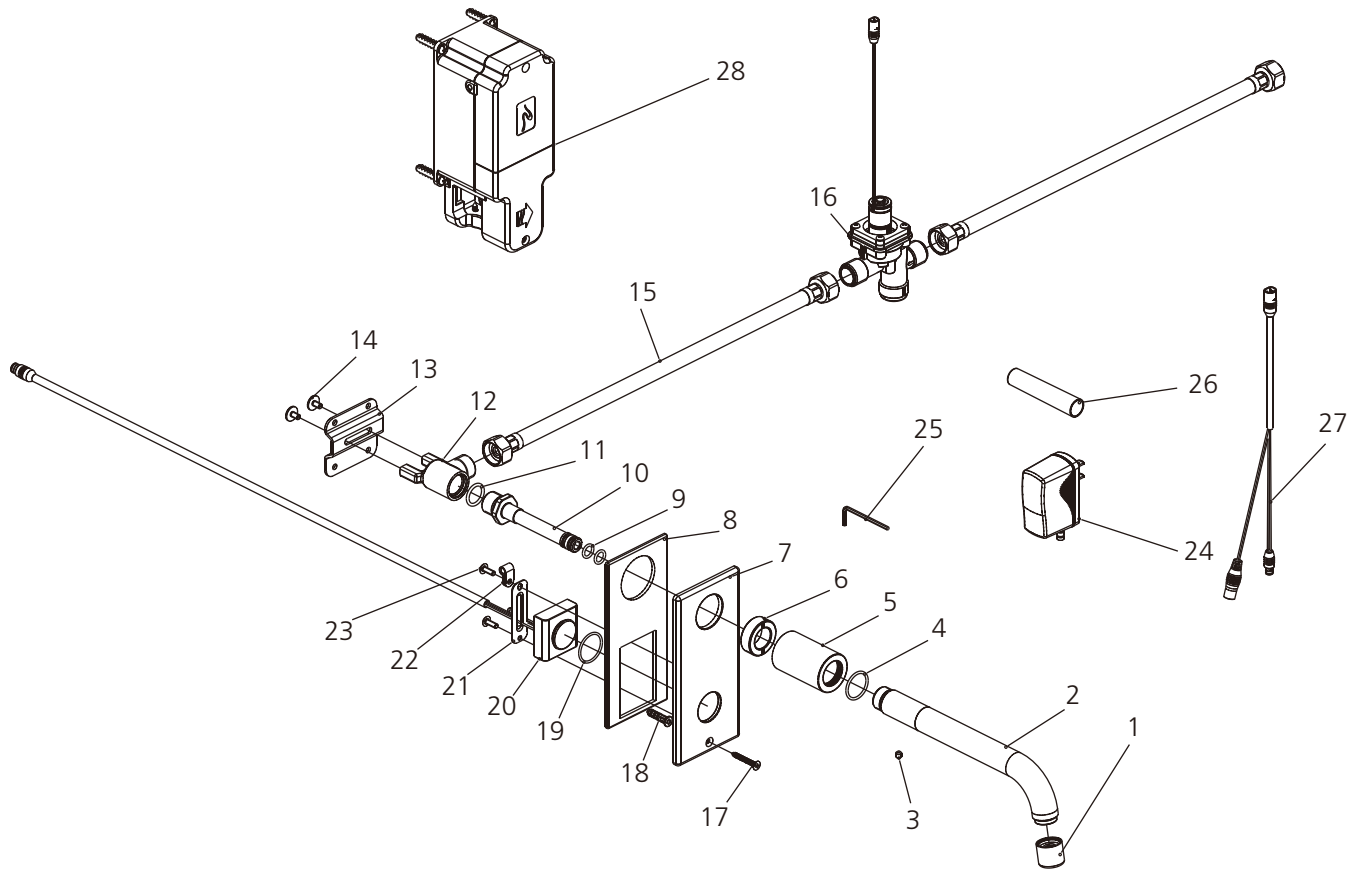
COPYRIGHT © LBIP LTD 2012. ALL RIGHTS RESERVED.

DIMENSIONS IN INCHES & MILLIMETRES

WHILST EVERY EFFORT IS MADE TO ENSURE THE ACCURACY OF THESE DATA SHEETS THEY ARE SUBJECT TO CHANGE WITHOUT NOTICE AS PART OF THE COMPANY'S PRODUCT DEVELOPMENT PROCESS

K1-1301

WALL HANDS-FREE ELECTRONIC BASIN FAUCET

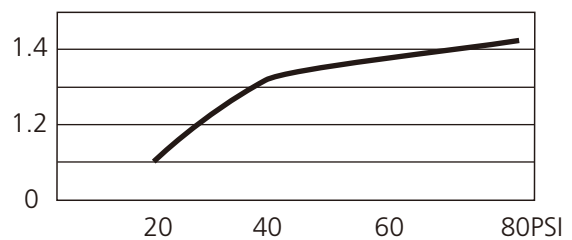


1	Aerator assembly (500951N)	11	O-ring (004010N)	21	Fixing plate (120282)
2	Spout assembly (139646W)	12	Body (002629W)	22	Cable P-clip (540286)
3	Set screw (008198)	13	Fixing plate (120283)	23	Screw (008063)
4	O-ring (004007)	14	Screw (008013)	24	Plug-in adaptor (540484)
5	Canopy (018965)	15	Flexible hose (105540N)	25	Allen wrench (031000)
6	Adaptor (067461)	16	Solenoid valve (540082N)	26	Protective cap (045160)
7	Front panel (007641)	17	Screw (292615)	27	Connction cable assembly (540373)
8	Seal (010947)	18	Fixing anchor bolt (291001)	28	Protective box assembly (A66G020)
9	O-ring (004026N)	19	O-ring (004006N)		
10	Connection tube (039443W)	20	Sensor module (546112)		

Standards

IAPMO/cUPC Listed
 Meets NSF 61-9
 Meets A112.18.1
 ADA Compliant

Flow Rate



Please note :

Final achievable flow rate is dependent on the outlets fitted, see relevant outlets (spouts, roses, sprays) for fully assembled product flow rate.