



LEFROY BROOKS

1828 TROUTMAN STREET  
RIDGEWOOD NEW YORK NY 11385 USA  
T: +1(718) 302 5292 F: +1(718) 302 4177

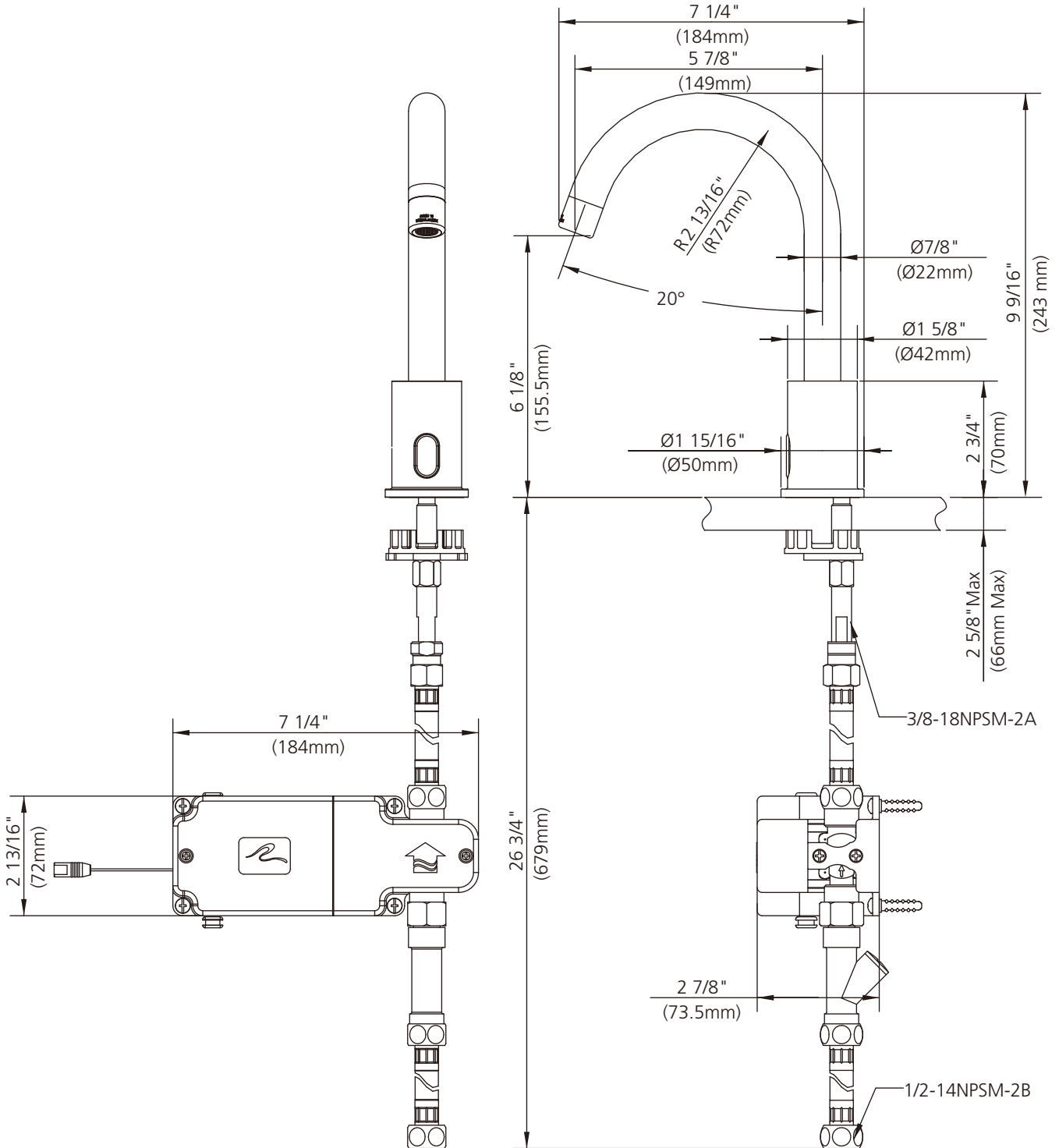
K1-1300

DECK HANDS-FREE ELECTRONIC BASIN FAUCET

DIMENSIONAL DATA SHEET

DATE: 20 NOVEMBER 2014

No: E114H000



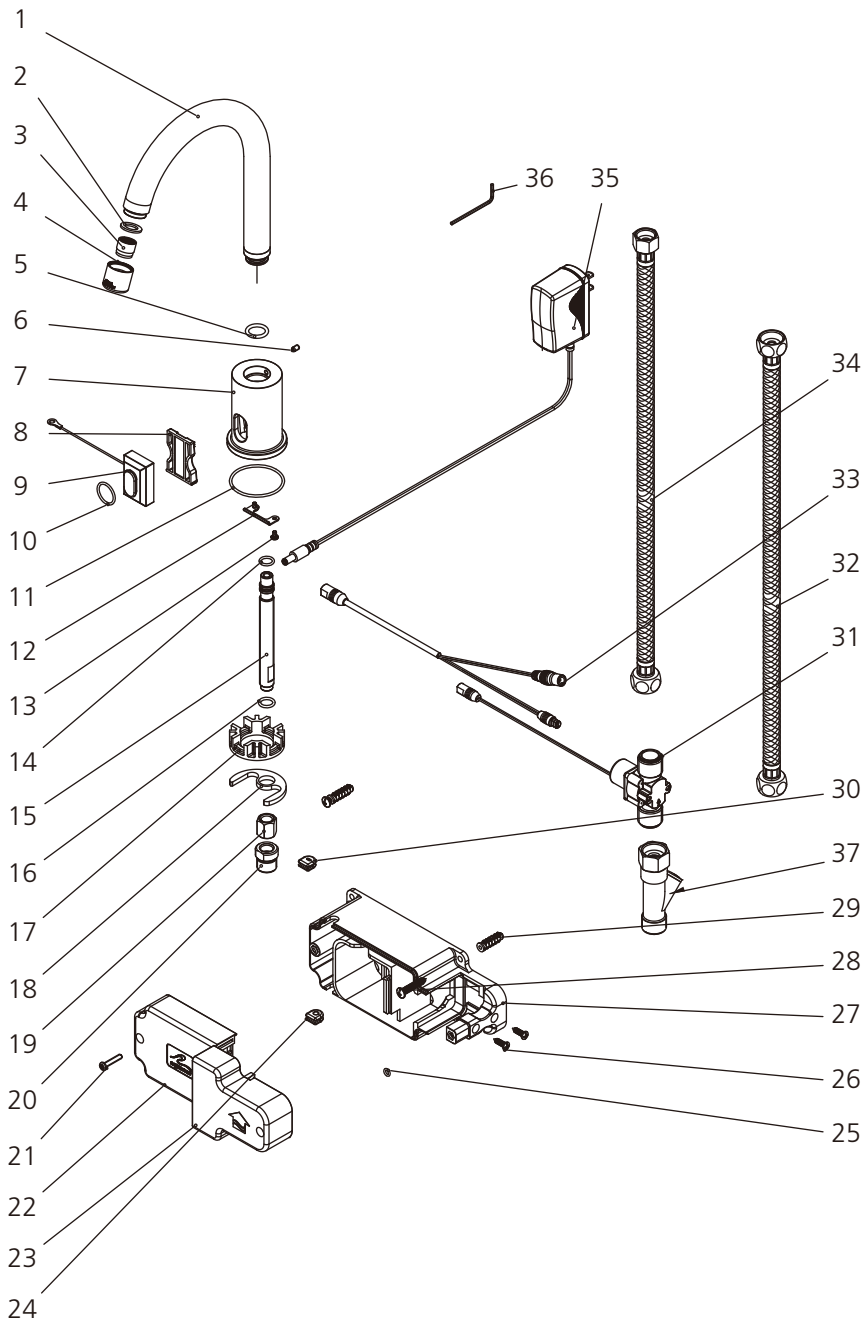
COPYRIGHT © LBIP LTD 2012. ALL RIGHTS RESERVED.

DIMENSIONS IN INCHES & MILLIMETRES

WHILST EVERY EFFORT IS MADE TO ENSURE THE ACCURACY OF THESE DATA SHEETS THEY ARE SUBJECT TO CHANGE WITHOUT NOTICE AS PART OF THE COMPANY'S PRODUCT DEVELOPMENT PROCESS

# K1-1300

DECK HANDS-FREE ELECTRONIC BASIN FAUCET

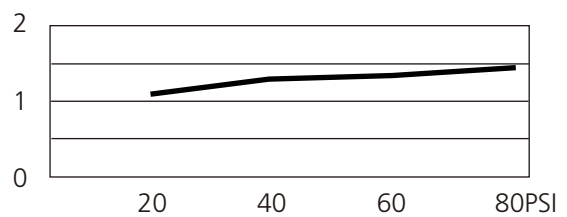


- 1 Spout (139801W)
- 2 Oil-seal (010805N)
- 3 Aerator insert (553661N)
- 4 Aerator housing (305779N-54)
- 5 O-ring (063073N)
- 6 Set screw (075018)
- 7 Body (002635W)
- 8 Plastic board for sensor (540508)
- 9 Sensor module (546113)
- 10 O-ring (004037N)
- 11 O-ring (072032N)
- 12 Fixer for sensor (540509)
- 13 Screw (008692)
- 14 O-ring (004509N)
- 15 Bolt (017967W)
- 16 O-ring (063022N)
- 17 Fixer for sensor wires (120045)
- 18 Washer (013973)
- 19 Nut (054062)
- 20 Adaptor (067557W)
- 21 Screw (008500)
- 22 Protective box cover for battery (540064)
- 23 Protective box cover for valve (540063)
- 24 D-shape washer double hole (540378)
- 25 D-shape washer single hole (080052)
- 26 O-ring (004058)
- 27 Screw (075095)
- 28 Protective box base for valve (540062)
- 29 Screw (053022)
- 30 Plastic anchor bolt (291101)
- 31 Solenoid valve (543109)
- 32 Flexi hose (105051)
- 33 Connection cable assembly (540373)
- 34 Flexi hose (134065N)
- 35 Plug-in adaptor (540484)
- 36 Allen key (031003)
- 37 Brass filter (540093)

## Standards

IAPMO/cUPC Listed  
 Meets NSF 61-9  
 Meets A112.18.1  
 ADA Compliant

## Flow Rate



Please note :

Final achievable flow rate is dependent on the outlets fitted, see relevant outlets (spouts, roses, sprays) for fully assembled product flow rate.