



LEFROY BROOKS

1 8 2 8 T R O U T M A N S T R E E T
R I D G E W O O D N E W Y O R K N Y 1 1 3 8 5 U S A
T: +1(718) 302 5292 F: +1(718) 302 4177

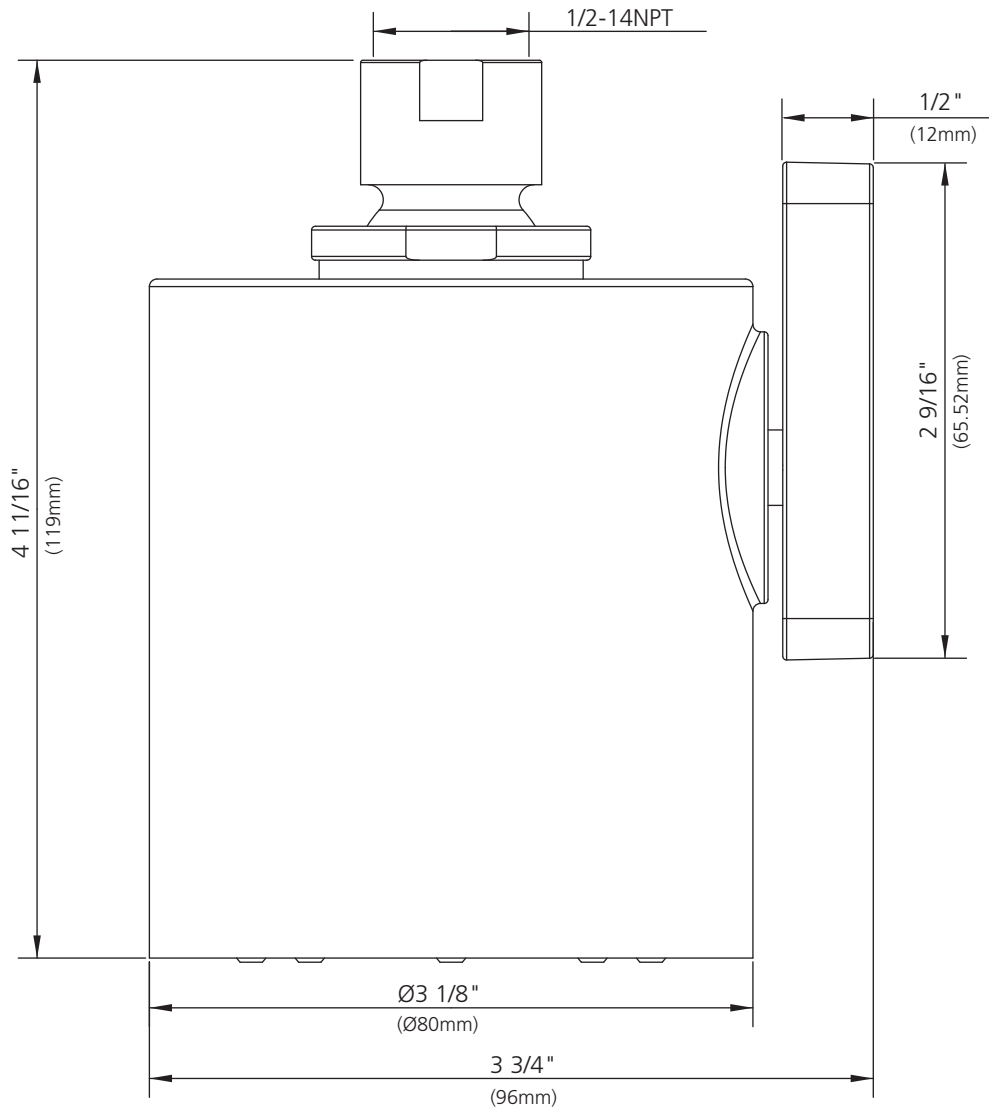
K1-4700

EIGHT PRONG BRASS SHOWER ROSE

DIMENSIONAL DATA SHEET

DATE: 6 June 2012

No: S11B0312



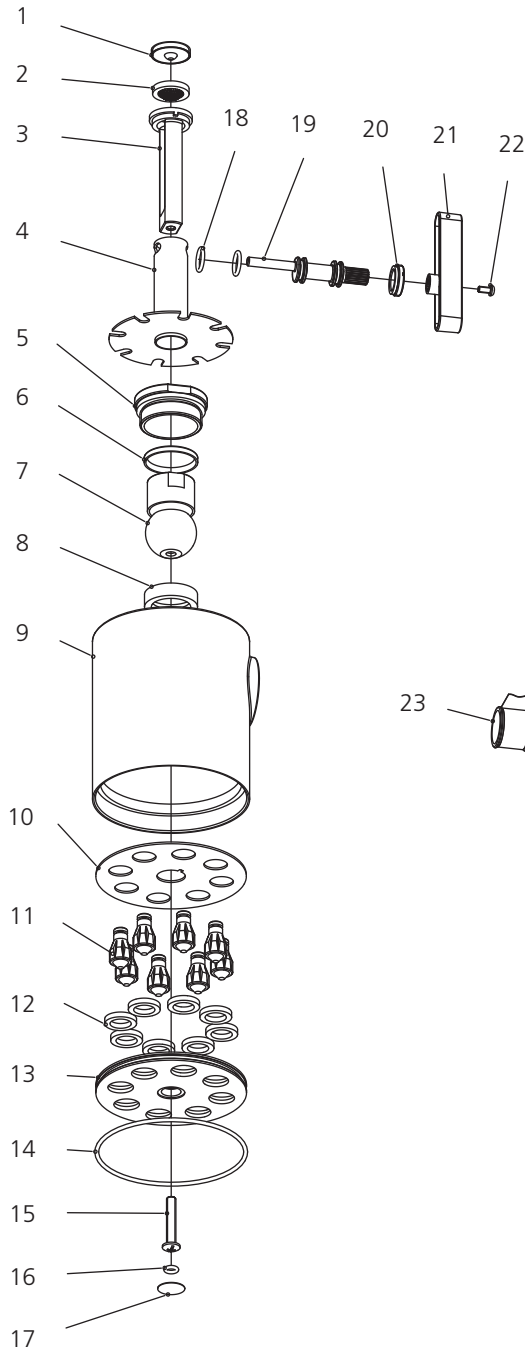
COPYRIGHT © LBIP LTD 2012. ALL RIGHTS RESERVED.

DIMENSIONS IN INCHES & MILLIMETRES

WHILST EVERY EFFORT IS MADE TO ENSURE THE ACCURACY OF THESE DATA SHEETS THEY ARE SUBJECT TO CHANGE WITHOUT NOTICE AS PART OF THE COMPANY'S PRODUCT DEVELOPMENT PROCESS

K1-4700

EIGHT PRONG BRASS SHOWER ROSE

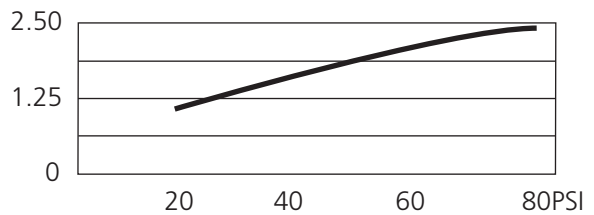


- 1 Flow restrictor (113011)
- 2 Filter seal (022028)
- 3 Holder (112428)
- 4 Holder assembly (112431)
- 5 Nut (054903)
- 6 Washer (060151)
- 7 Ball joint (057008)
- 8 Oil seal (058101)
- 9 Shell (033715)
- 10 Front plate (112132)
- 11 Diverter (114017)
- 12 Oil seal (058053)
- 13 Front cover (112001)
- 14 O-ring (072013)
- 15 Screw (008037)
- 16 O-ring (048044)
- 17 Index disc (023322)
- 18 O-ring (048067)
- 19 Eccentric shaft (112429)
- 20 Fixing ring (047004)
- 21 Handle (069769)
- 22 Screw (053029)
- 23 Teflon tape (203000)

Standards

IAPMO/cUPC Listed
Meets A112.18.1

Flow Rate



Please note :

Final achievable flow rate is dependent on the outlets fitted, see relevant outlets (spouts, roses, sprays) for fully assembled product flow rate.