



LEFROY BROOKS

1 8 2 8 T R O U T M A N S T R E E T
R I D G E W O O D N E W Y O R K N Y 1 1 3 8 5 U S A
T : + 1 (7 1 8) 3 0 2 5 2 9 2 F : + 1 (7 1 8) 3 0 2 4 1 7 7

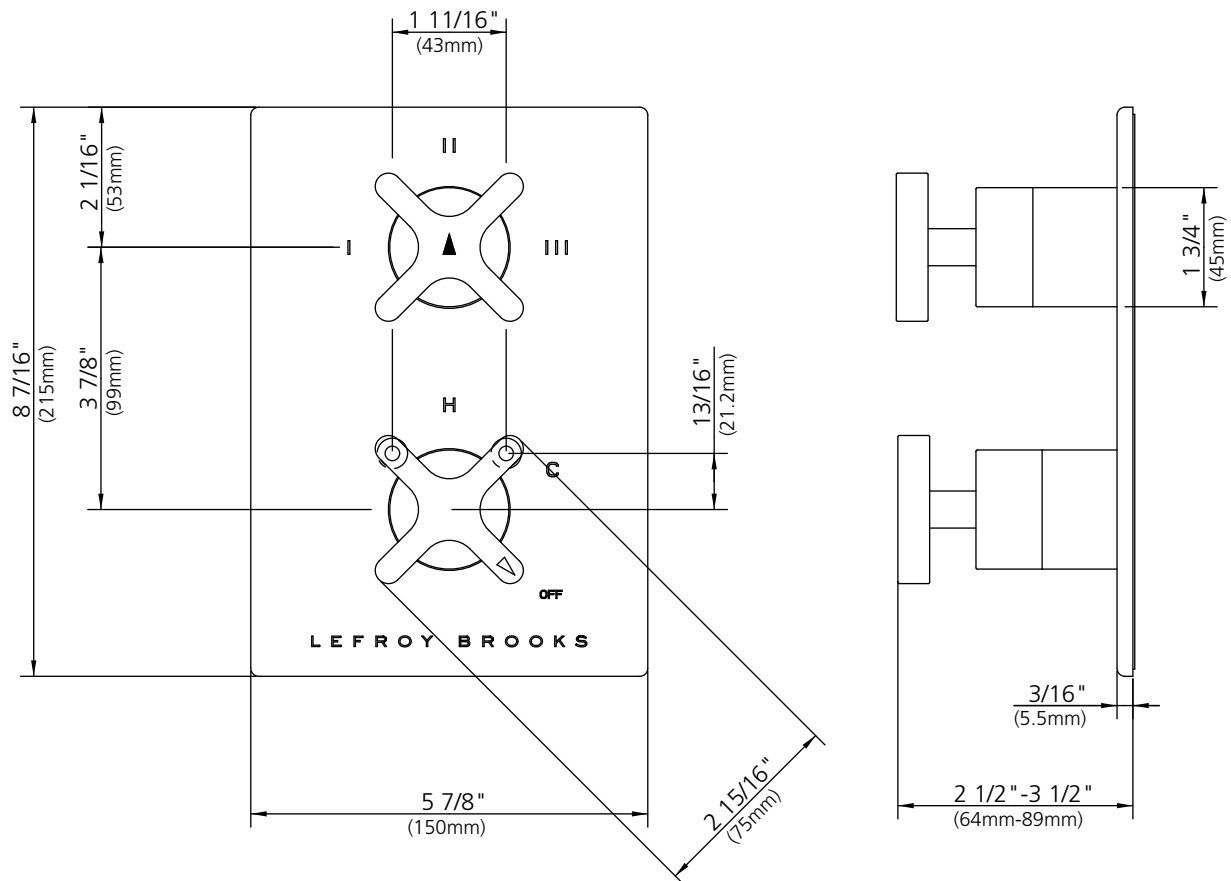
K1-4304

CROSS HANDLE PRESSURE BALANCE WITH CROSS HANDLE 3-WAY
DIVERTER TRIM ONLY, TO SUIT K1-4102 ROUGH

DIMENSIONAL DATA SHEET

DATE: 11 March 2010

No: A667805



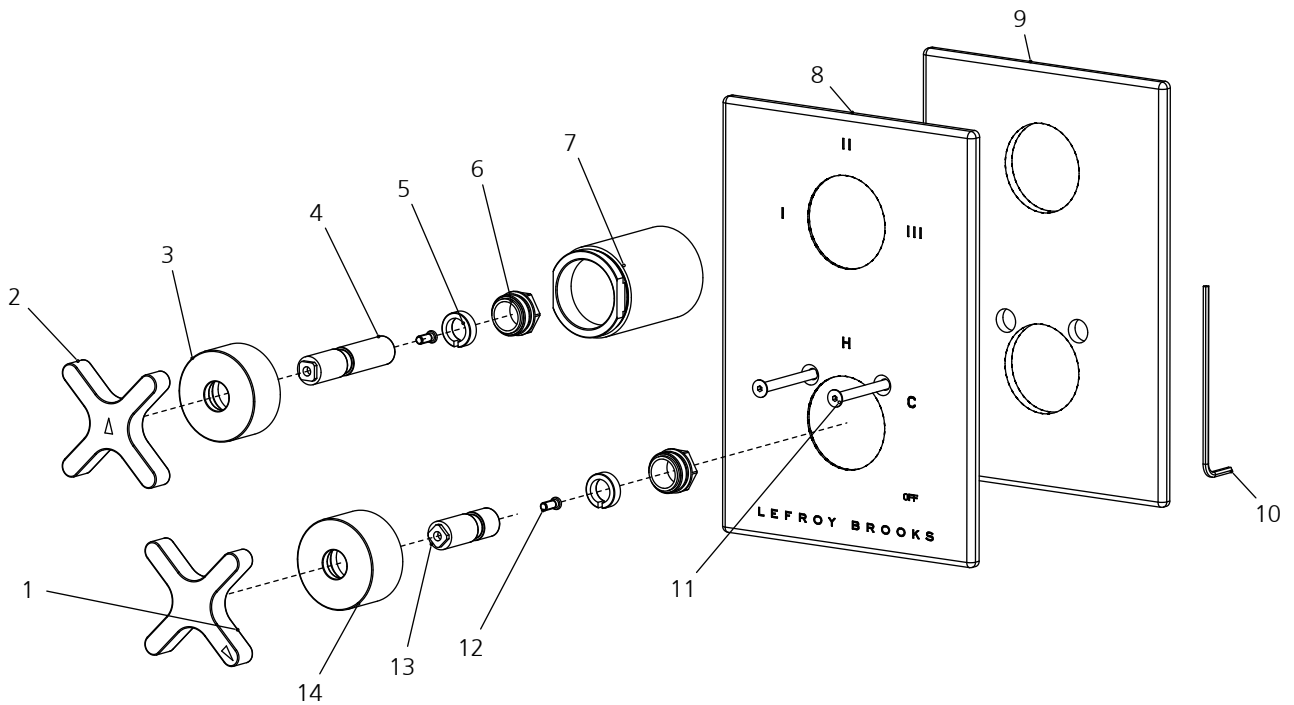
©COPYRIGHT 2009. CHRISTO LEFROY BROOKS. ALL RIGHTS RESERVED.

DIMENSIONS IN INCHES & MILLIMETRES

WHILST EVERY EFFORT IS MADE TO ENSURE THE ACCURACY OF THESE DATA SHEETS THEY ARE SUBJECT TO CHANGE WITHOUT NOTICE AS PART OF THE COMPANY'S PRODUCT DEVELOPMENT PROCESS

K1-4304

CROSS HANDLE PRESSURE BALANCE WITH CROSS HANDLE 3-WAY DIVERTER TRIM ONLY, TO SUIT K1-4102 ROUGH



- | | | | |
|---|-------------------------|----|-------------------------|
| 1 | Handle (069688-50) | 8 | Front plate (006507-53) |
| 2 | Handle (069688-51) | 9 | Seal (068329) |
| 3 | Canopy (018101) | 10 | Allen wrench (031220) |
| 4 | Stem extension (110429) | 11 | Screw (008034) |
| 5 | Clip (012242) | 12 | Screw (008774) |
| 6 | Adaptor (067897) | 13 | Stem extension (110384) |
| 7 | Sleeve (041724) | 14 | Canopy (018958) |

Standards

IAPMO/cUPC Listed
Meets A112.18.1