



LEFROY BROOKS

1 8 2 8 T R O U T M A N S T R E E T
R I D G E W O O D N E W Y O R K N Y 1 1 3 8 5 U S A
T : + 1 (7 1 8) 3 0 2 5 2 9 2 F : + 1 (7 1 8) 3 0 2 4 1 7 7

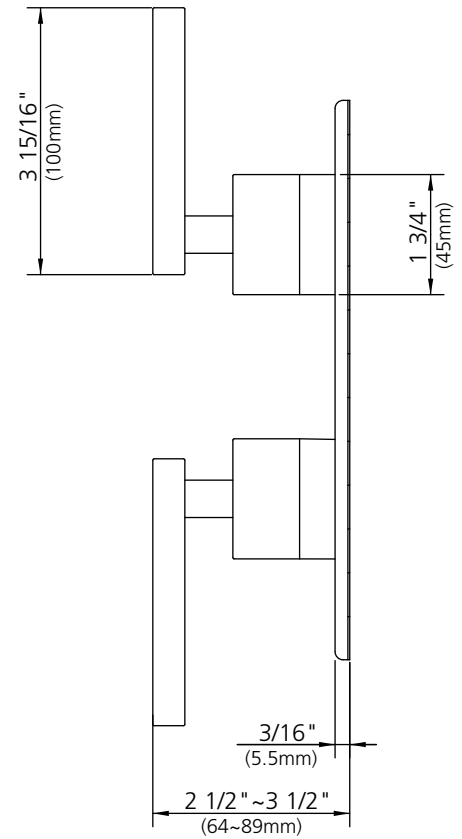
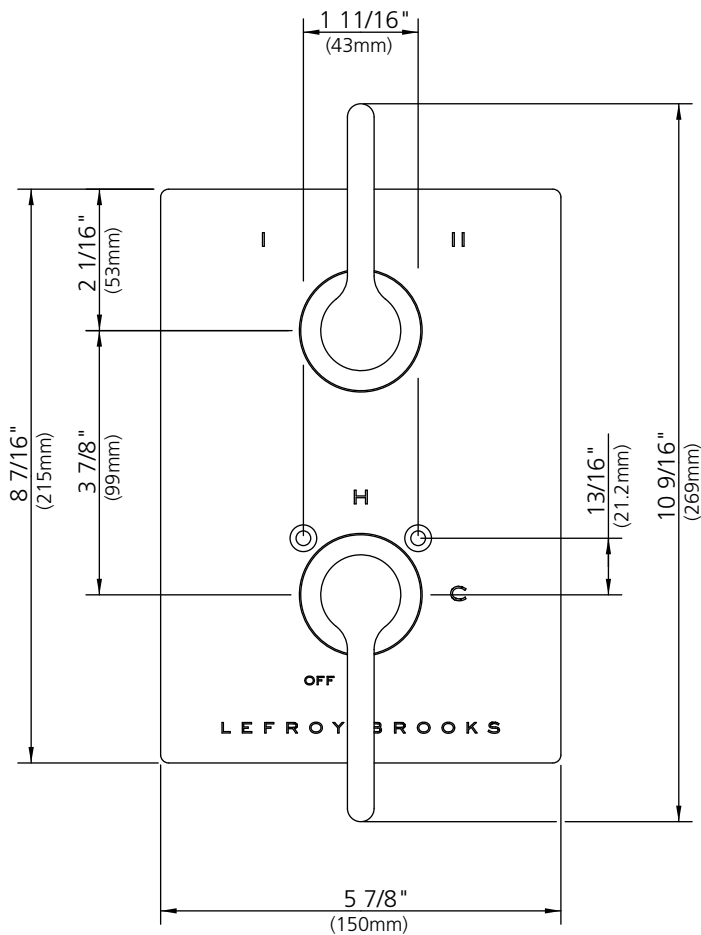
K1-4303

LEVER PRESSURE BALANCE WITH LEVER 2-WAY DIVERTER TRIM ONLY, TO SUIT K1-4101 ROUGH

DIMENSIONAL DATA SHEET

DATE: 14 January 2010

No: A667271



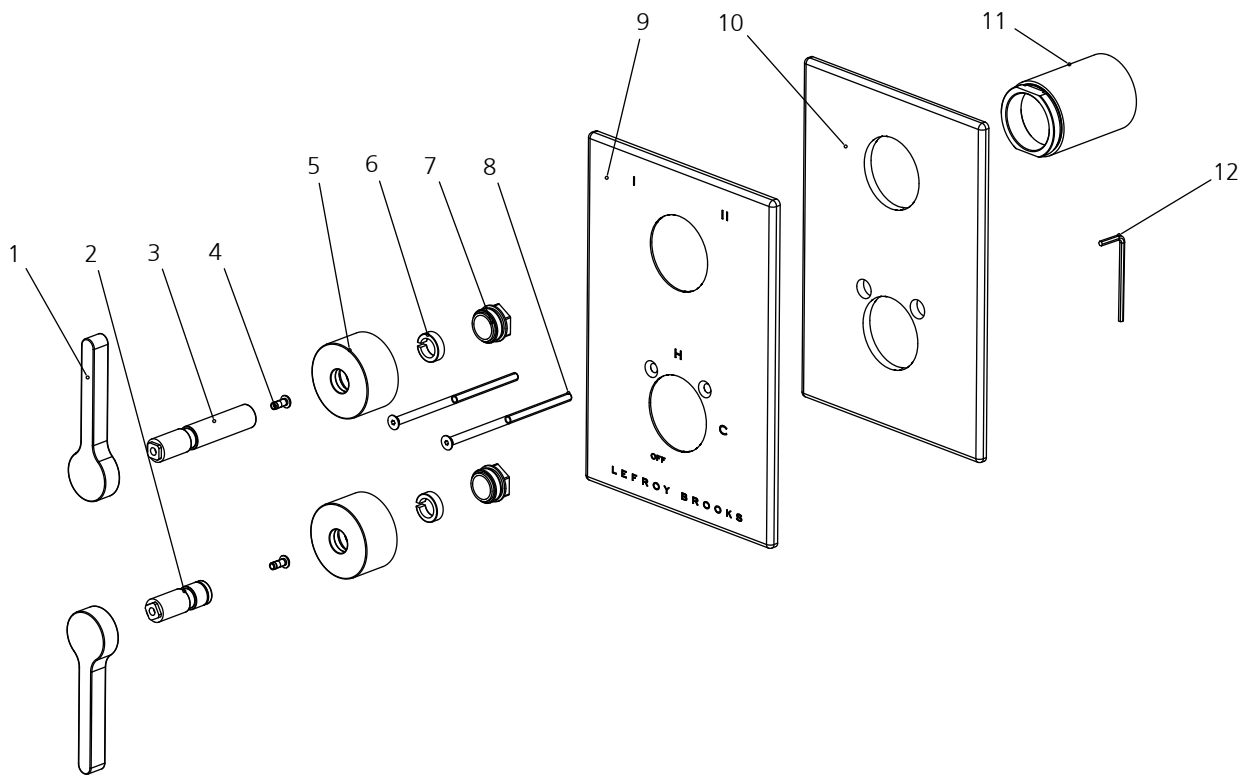
©COPYRIGHT 2009. CHRISTO LEFROY BROOKS. ALL RIGHTS RESERVED.

DIMENSIONS IN INCHES & MILLIMETRES

WHILST EVERY EFFORT IS MADE TO ENSURE THE ACCURACY OF THESE DATA SHEETS THEY ARE SUBJECT TO CHANGE WITHOUT NOTICE AS PART OF THE COMPANY'S PRODUCT DEVELOPMENT PROCESS

K1-4303

LEVER PRESSURE BALANCE WITH LEVER 2-WAY DIVERTER TRIM ONLY, TO SUIT K1-4101 ROUGH



- 1 Handle (069699)
- 2 Stem extension (110407)
- 3 Stem extension (110385)
- 4 Screw (008154)
- 5 Canopy (018958)
- 6 Clip (012242)

- 7 Adaptor (067897)
- 8 Screw (008034)
- 9 Front plate (006507-51)
- 10 Seal (068329)
- 11 Sleeve (041724)
- 12 Allen key (031000)