



LEFROY BROOKS

1 8 2 8 T R O U T M A N S T R E E T
R I D G E W O O D N E W Y O R K N Y 1 1 3 8 5 U S A
T : + 1 (7 1 8) 3 0 2 5 2 9 2 F : + 1 (7 1 8) 3 0 2 4 1 7 7

K1-3601

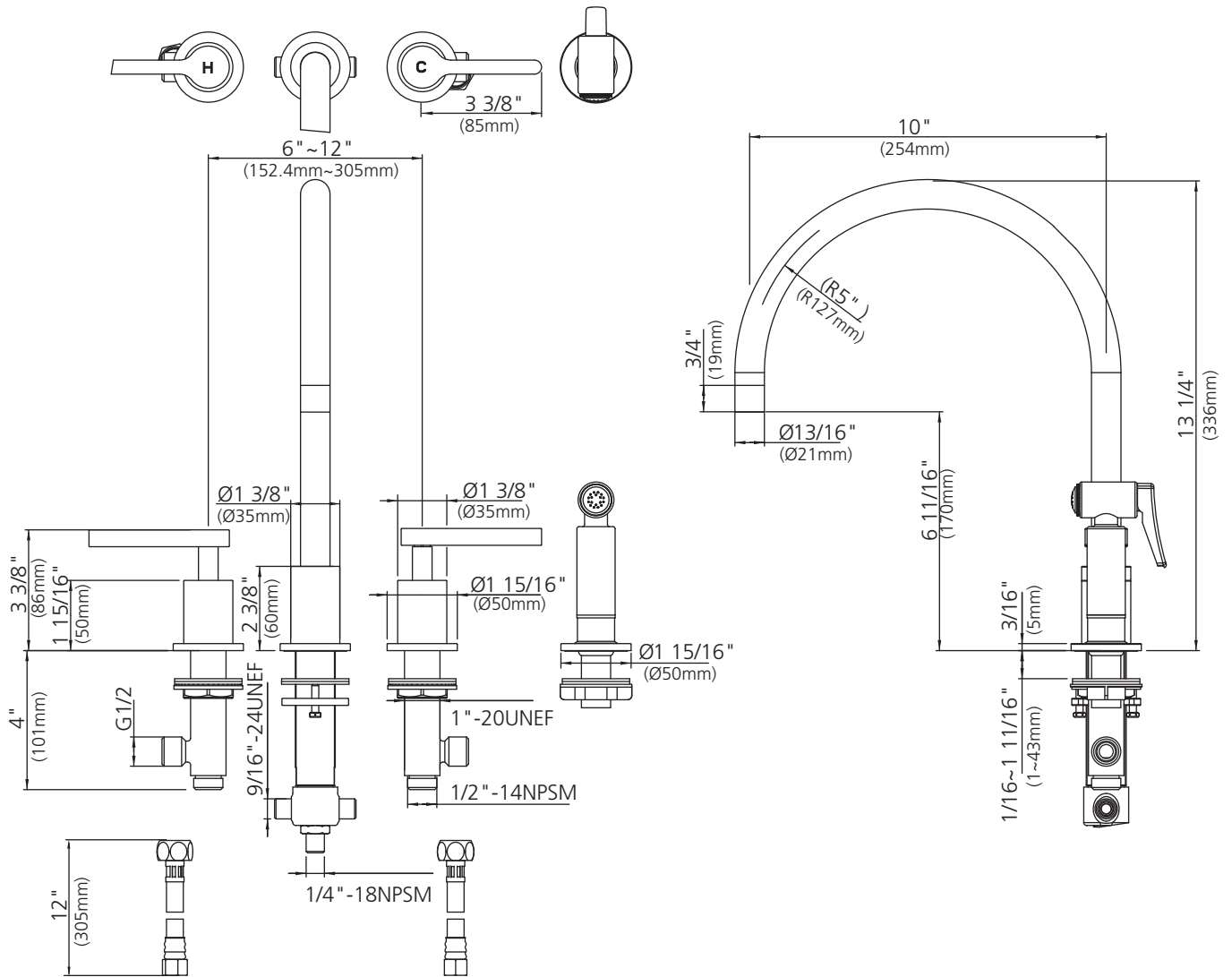
LEVER 4-HOLE KITCHEN MIXER WITH PULL-OUT HAND SPRAY

DIMENSIONAL DATA SHEET

DATE: 21 June 2012

No: F86J4604

COPYRIGHT © LBP LTD 2012. ALL RIGHTS RESERVED.

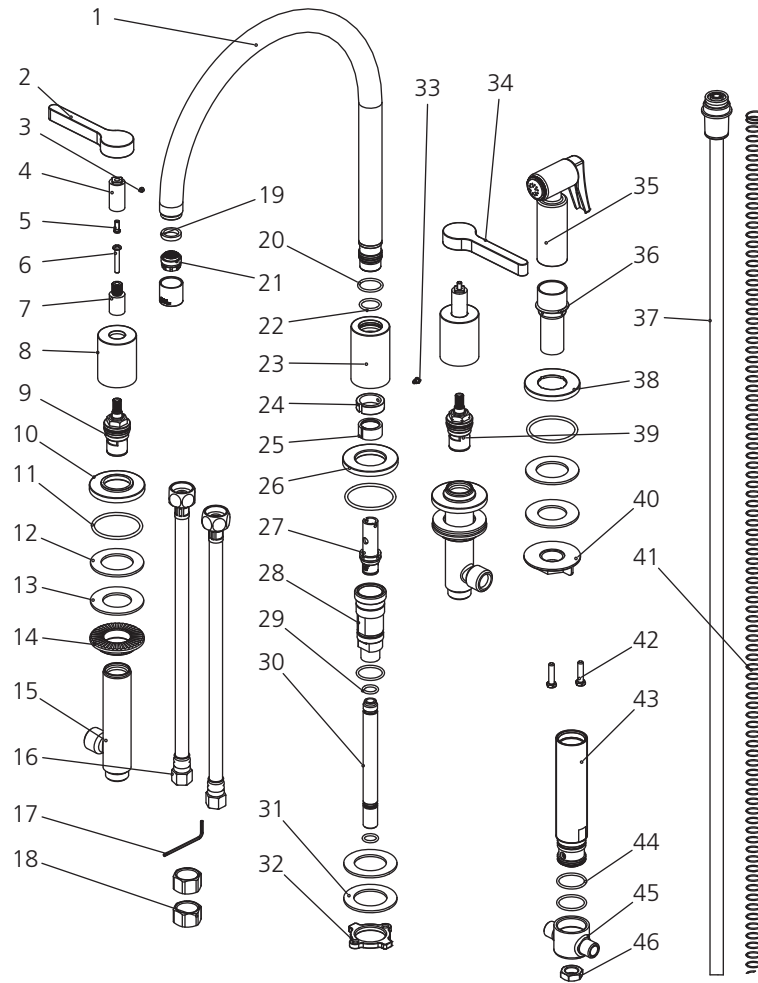


DIMENSIONS IN INCHES & MILLIMETRES

WHILST EVERY EFFORT IS MADE TO ENSURE THE ACCURACY OF THESE DATA SHEETS THEY ARE SUBJECT TO CHANGE WITHOUT NOTICE AS PART OF THE COMPANY'S PRODUCT DEVELOPMENT PROCESS

K1-3601

LEVER 4-HOLE KITCHEN MIXER WITH PULL-OUT HAND SPRAY

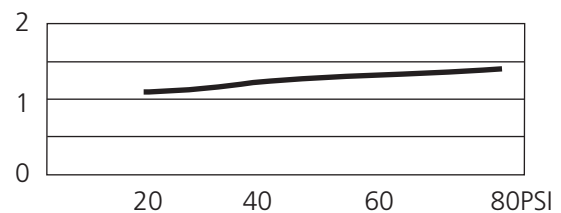


| | | | | | |
|----|-----------------------------|----|----------------------------|----|---------------------------|
| 1 | Spout assembly (139836W-54) | 17 | Allen key (031003) | 33 | Screw (053197) |
| 2 | Handle (H) (069699H) | 18 | Alternative nut (504003) | 34 | Handle (C) (069699C) |
| 3 | Set screw (053205) | 19 | Oil-seal (010095N) | 35 | Side spray (503125W) |
| 4 | Stem extension (205417) | 20 | O-ring (063072N) | 36 | Holster (017005) |
| 5 | Screw (008774) | 21 | Aerator assembly (553648N) | 37 | Spray hose (511422W) |
| 6 | Screw (065152) | 22 | O-ring (004074N) | 38 | Escutcheon (220640) |
| 7 | Adaptor (205434) | 23 | Canopy (000888) | 39 | Cartridge (C) (507176N) |
| 8 | Canopy (018419) | 24 | Clip (012101) | 40 | Nut (009008) |
| 9 | Cartridge (H) (507175N) | 25 | Clip (012195N) | 41 | Spring (005195) |
| 10 | Escutcheon (071308) | 26 | Escutcheon (303427) | 42 | Screw (008045) |
| 11 | O-ring (004072N) | 27 | Diverter (501013N) | 43 | Body (066121W) |
| 12 | Oil-seal (010017) | 28 | Diverter seat (213129W) | 44 | O-ring (063091N) |
| 13 | Washer (013158) | 29 | O-ring (004026N) | 45 | Connector (014083W) |
| 14 | Nut (009834) | 30 | Connecting tube (035231N) | 46 | Nut (070053) |
| 15 | Body (061893W) | 31 | Washer (013018) | | |
| 16 | Flexible hose (105750N) | 32 | Nut (009012) | | |

Standards

IAPMO/cUPC Listed
Meets NSF 61-9
Meets A112.18.1

Flow Rate



Please note :

Final achievable flow rate is dependent on the outlets fitted, see relevant outlets (spouts, roses, sprays) for fully assembled product flow rate.