



LEFROY BROOKS

1828 TROUTMAN STREET
RIDGEWOOD NEW YORK NY 11385 USA
T: +1(718) 302 5292 F: +1(718) 302 4177

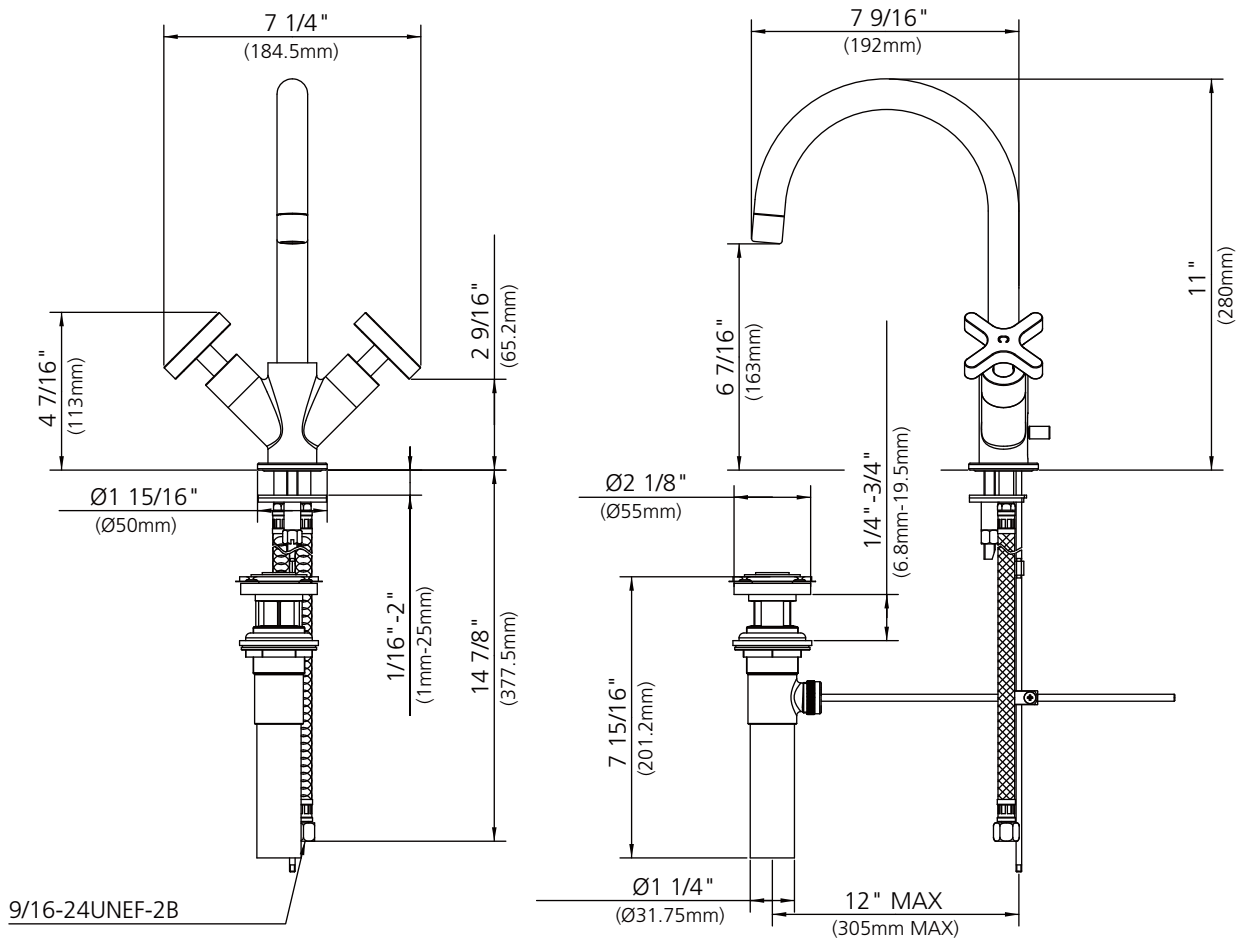
K1-1210

CROSS HANDLE MONOBASIN (V-BODY) WITH P.U.W.,

DIMENSIONAL DATA SHEET

DATE: 26 July 2011

No: FS2AC100



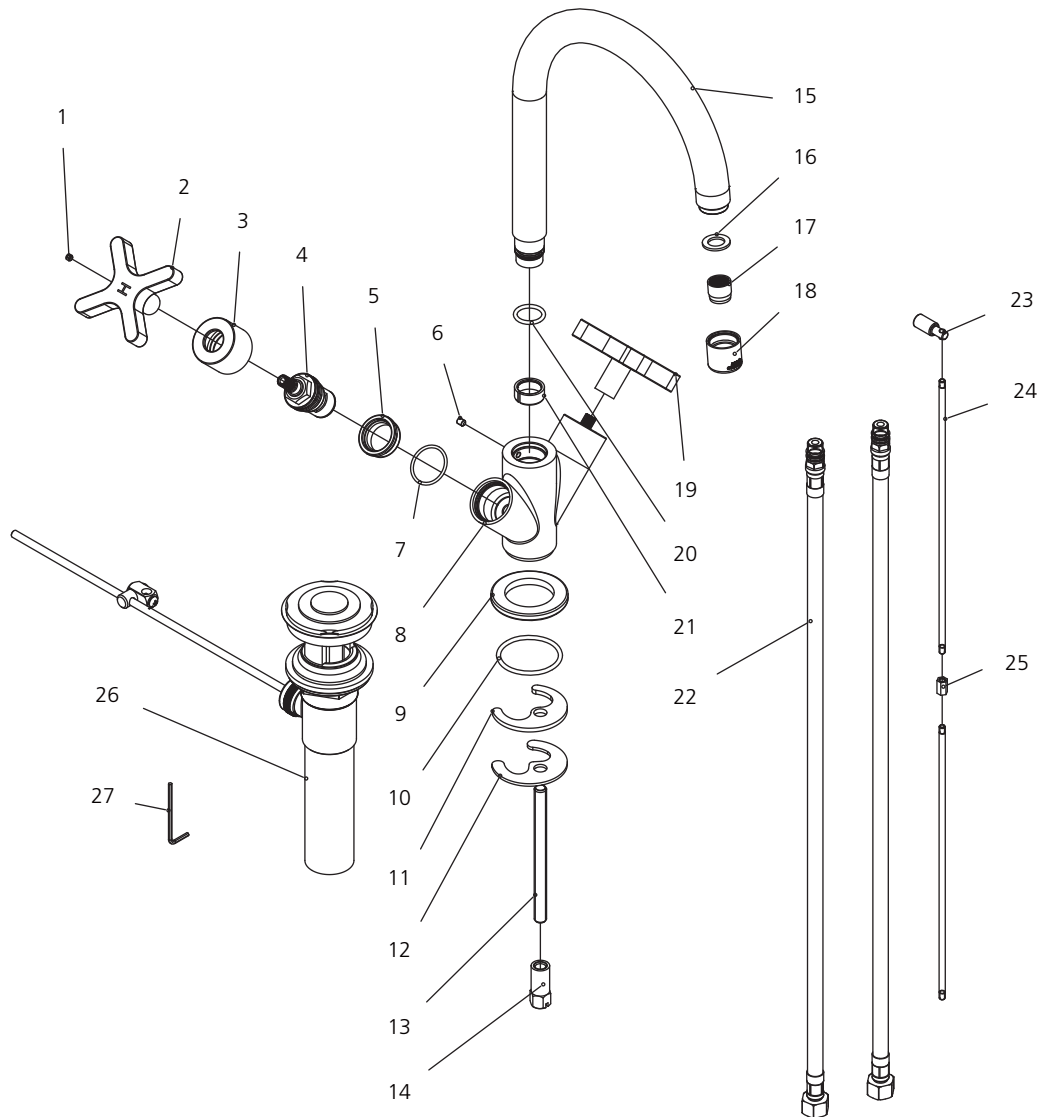
©COPYRIGHT 2009. CHRISTO LEFROY BROOKS. ALL RIGHTS RESERVED.

DIMENSIONS IN INCHES & MILLIMETRES

WHILST EVERY EFFORT IS MADE TO ENSURE THE ACCURACY OF THESE DATA SHEETS THEY ARE SUBJECT TO CHANGE WITHOUT NOTICE AS PART OF THE COMPANY'S PRODUCT DEVELOPMENT PROCESS

K1-1210

CROSS HANDLE MONOBASIN (V-BODY) WITH P.U.W.,

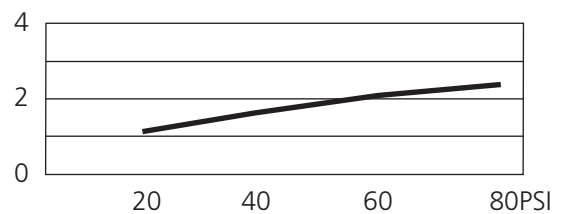


1	Screw (008772)	10	O-Ring (063014)	19	Handle (C) (506149C)
2	Handle (H) (506149H)	11	Washer (013040)	20	O-Ring (004005N)
3	Canopy (078183)	12	Washer (013039)	21	Clip (012112N)
4	Cartridge assembly (507907N)	13	Bolt (017139)	22	Flexible hose (105652W)
5	Adaptor (039332N)	14	Nut (054857)	23	Pop-up knob (124379)
6	Set screw (292545)	15	Spout assembly (139644N)	24	Pop-up rod (125322)
7	O-ring (048030N)	16	Oil-seal (010805N)	25	Adaptor (039807)
8	Body (076711W)	17	Aerator insert (553661N)	26	Pop-up sub-assembly (556781)
9	Escutcheon (071282)	18	Aerator housing (305779N-54)	27	Allen key (031003)

Standards

IAPMO/cUPC Listed
Meets NSF 61-9
Meets A112.18.1

Flow Rate



Please note :

Final achievable flow rate is dependent on the outlets fitted, see relevant outlets (spouts, roses, sprays) for fully assembled product flow rate.